



THE[®]
ITALIAN
LAB

THE ITALIAN LAB

MADE IN ITALY

ABOUT

The Italian Lab è un'azienda italiana specializzata nella progettazione e produzione di arredo urbano e soluzioni per la raccolta differenziata, in cui design, innovazione e qualità manifatturiera si incontrano.

Tutti i prodotti nascono da un processo produttivo rigorosamente **Made in Italy**, realizzati con materiali di alta qualità come ferro, acciaio inox, Corten e UHPC, e progettati per trasformare spazi pubblici, strade e parchi in luoghi funzionali e accoglienti.

Ogni prodotto è sottoposto a trattamenti che ne garantiscono resistenza e durata nel tempo: tutte le strutture vengono infatti zincate a freddo e successivamente verniciate a polveri, assicurando una protezione elevata dagli agenti atmosferici e dall'usura.

Grazie alla collaborazione con designer e architetti di livello internazionale, l'azienda sviluppa soluzioni che uniscono estetica, sostenibilità e durata nel tempo, portando nel mondo l'eccellenza del design e della manifattura italiana.

ITA

The Italian Lab is an Italian company specialized in the design and production of urban furniture and solutions for waste separation, where design, innovation, and manufacturing quality come together.

All products originate from a strictly **Made in Italy** production process. They are crafted using high-quality materials such as iron, stainless steel, Corten steel, and UHPC, and are designed to transform public spaces, streets, and parks into functional and welcoming environments.

Each product undergoes treatments that ensure durability and long-term resistance. All structures are cold-galvanized and subsequently powder-coated, providing a high level of protection against weather conditions and wear.

Thanks to collaborations with internationally renowned designers and architects, the company develops solutions that combine aesthetics, sustainability, and long-lasting performance, bringing the excellence of Italian design and manufacturing to the world.

ENG

The Italian Lab est une entreprise italienne spécialisée dans la conception et la production de mobilier urbain et de solutions pour la collecte sélective des déchets, où design, innovation et qualité manufacturière se rencontrent.

Tous les produits naissent d'un processus de production rigoureusement **Made in Italy**. Ils sont réalisés avec des matériaux de haute qualité tels que le fer, l'acier inoxydable, l'acier Corten et l'UHPC, et sont conçus pour transformer les espaces publics, les rues et les parcs en lieux fonctionnels et accueillants.

Chaque produit est soumis à des traitements garantissant résistance et durabilité dans le temps. Toutes les structures sont en effet galvanisées à froid puis thermolaquées, assurant une protection élevée contre les agents atmosphériques et l'usure.

Grâce à la collaboration avec des designers et architectes de renommée internationale, l'entreprise développe des solutions qui allient esthétique, durabilité et performance dans le temps, diffusant dans le monde l'excellence du design et du savoir-faire manufacturier italien.

FRA

URBAN LIFE

INDEX

06 PANCHINE-BENCHES

70 Ego

78 Club

100 MALL COLLECTION

112 Mall Eles

118 RAMAGE COLLECTION

132 ELES COLLECTION

144 CHARM COLLECTION

150 UHPC-CONCRETE PRODUCTS

186 RECY COLLECTION

216 CESTINI-LITTER BINS

250 PORTABICI-BIKE RACKS

266 GETTA SIGARETTE-ASHTRAYS

272 DISSUASORI-BOLLARDS

290 FIORIERE-PLANTERS

310 SALVAPIANTE-TREEGUARDS

322 FONTANE-DRINK FOUNTAINS

326 CESTINI RICICLO-RECYCLING BINS

354 CONTENITORI PER LAMPADE E RAEE

CONTAINER FOR LAMPS AND WEEE

360 CONTENITORI PER PILE ESAUSTE

CONTAINERS FOR EXHAUSTED BATTERIES

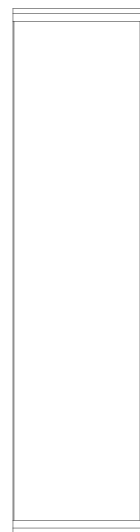
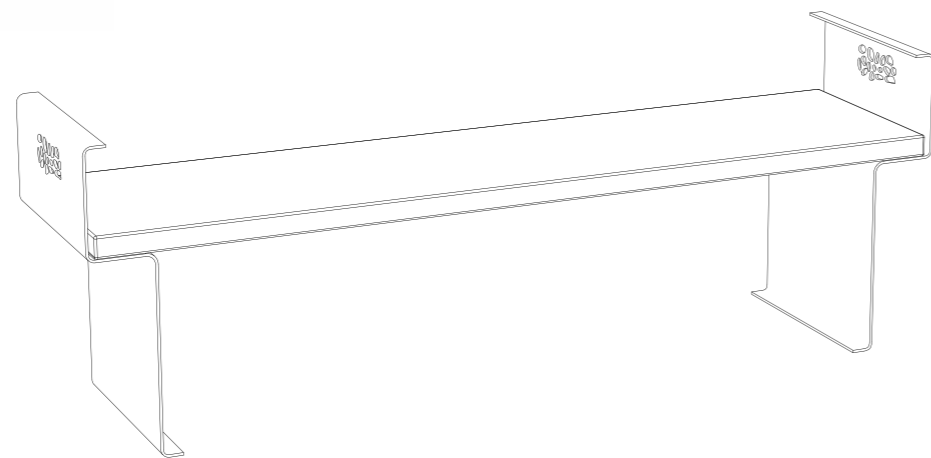
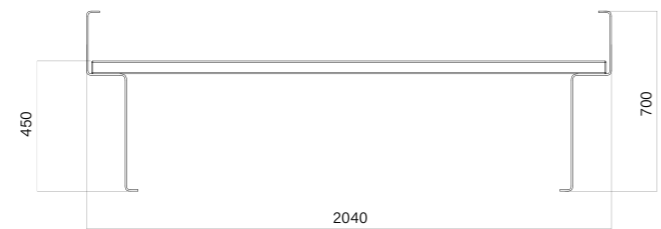
374 GLOBAL NETWORK





PANCHINE BENCHES

CLAPS



PANCA / SEAT

CODE: UL - PNC - 008
DIMENSIONS: L 2040 W 500 H 700
MATERIAL: STEEL



CLAPS



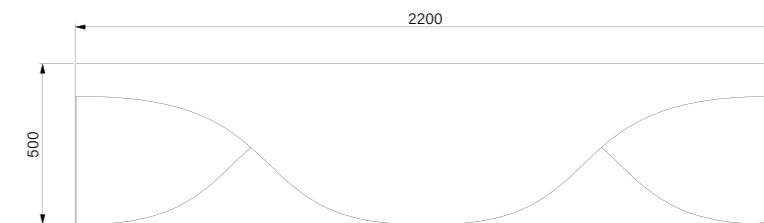
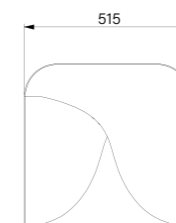
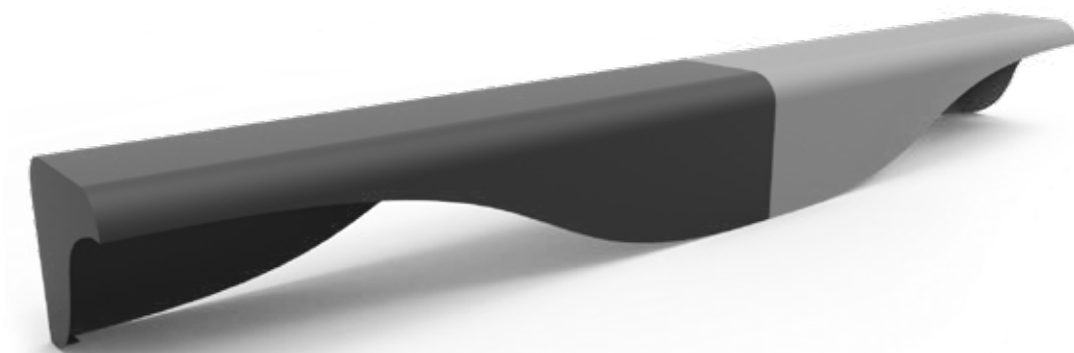
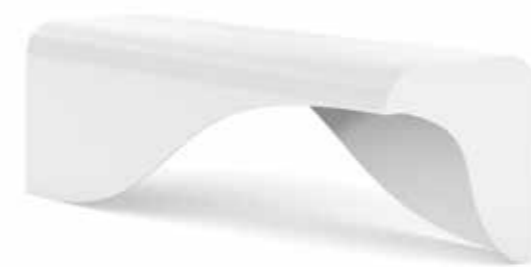
PANCHINA / BENCH

CODE: UL - PNC - 007
DIMENSIONS: L 2040 W 610 H 800
MATERIAL: STEEL



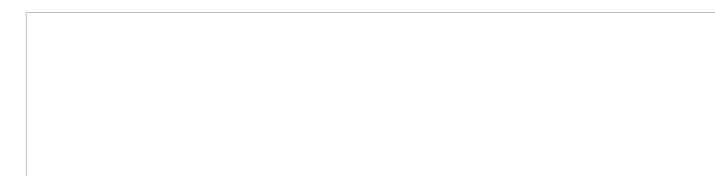
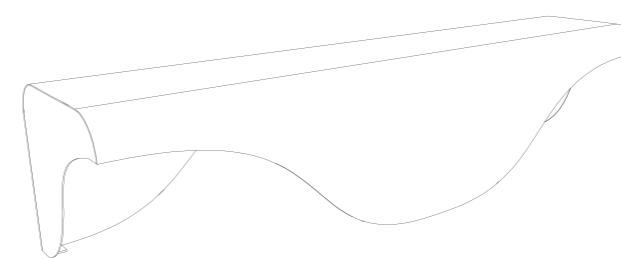


ONDA

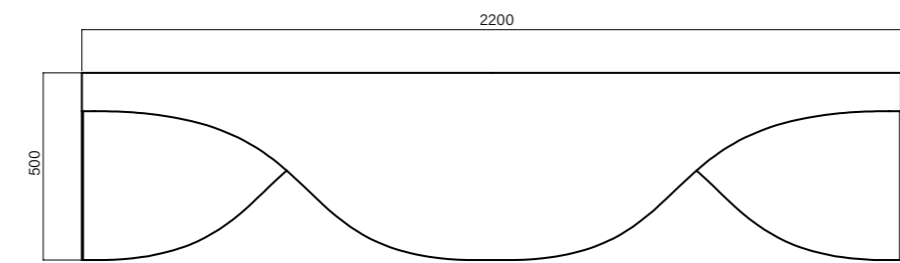
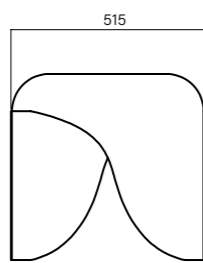
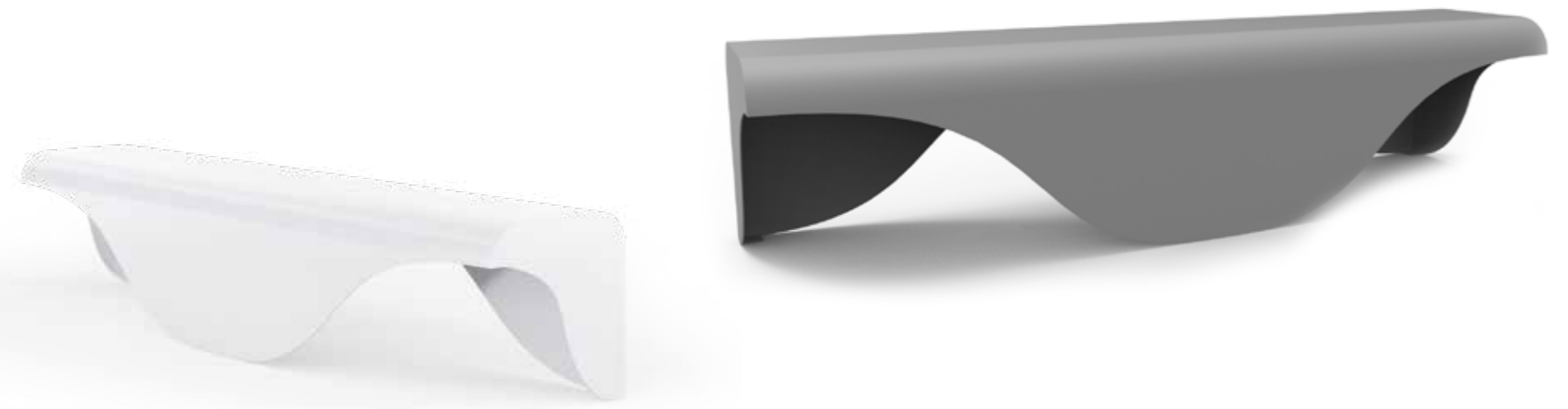


PANCA / SEAT

CODE: UL - PNC - 027
 DIMENSIONS: L 2200 W 515 H 500
 MATERIAL: STEEL



ONDA 2.2 MT

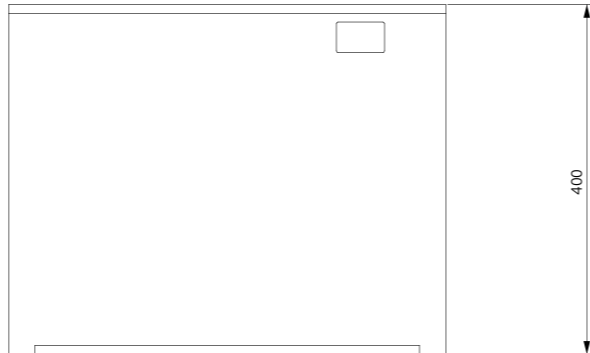
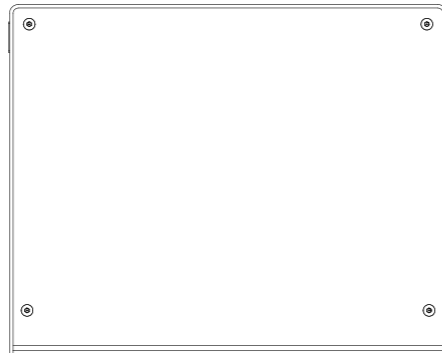


PANCA / SEAT

CODE: UL - PNC -0285
 DIMENSIONS: L 2200 W 515 H 500
 MATERIAL: STEEL



ROMA 50



PANCHINA / BENCH

CODE: UL - PNC - 9001
DIMENSIONS: L 500 W 500 H 400
MATERIAL: STEEL



ROMA 150

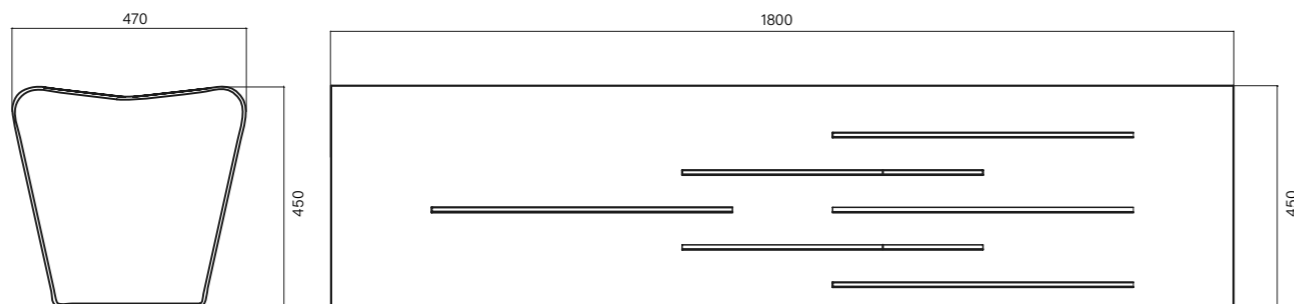


PANCHINA / BENCH

CODE: UL - PNC - 9002
DIMENSIONS: L 1500 W 500 H 400
MATERIAL: STEEL



MAC



PANCA / SEAT

CODE: UL - PNC - 016
DIMENSIONS: L 1800 W 470 H 450
MATERIAL: STEEL

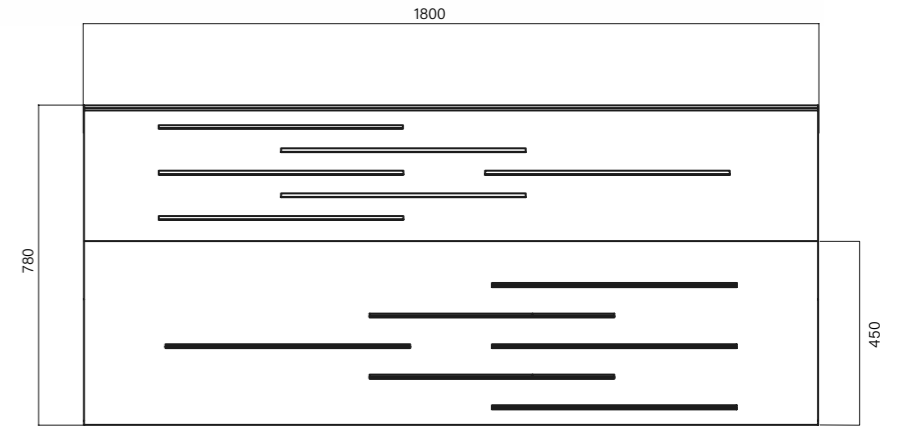
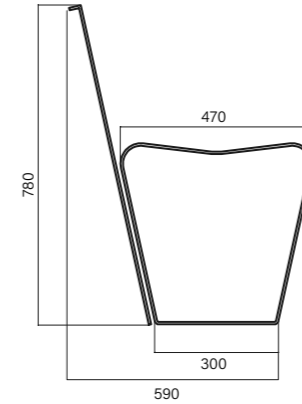




MAC

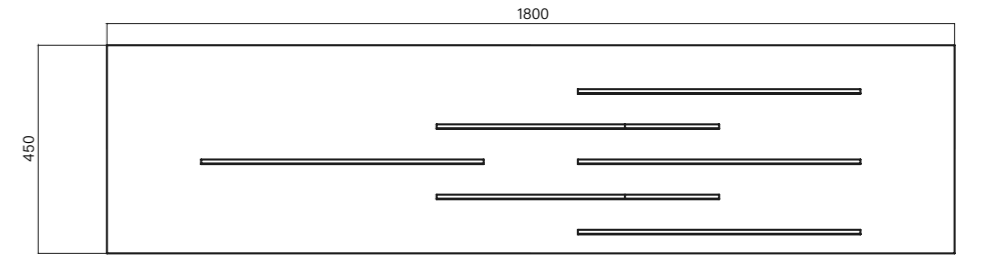
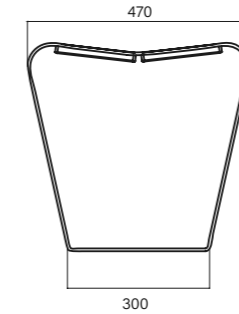
PANCHINA / BENCH

CODE: UL - PNC - 015
 DIMENSIONS: L 1800 W 590 H 780
 MATERIAL: STEEL





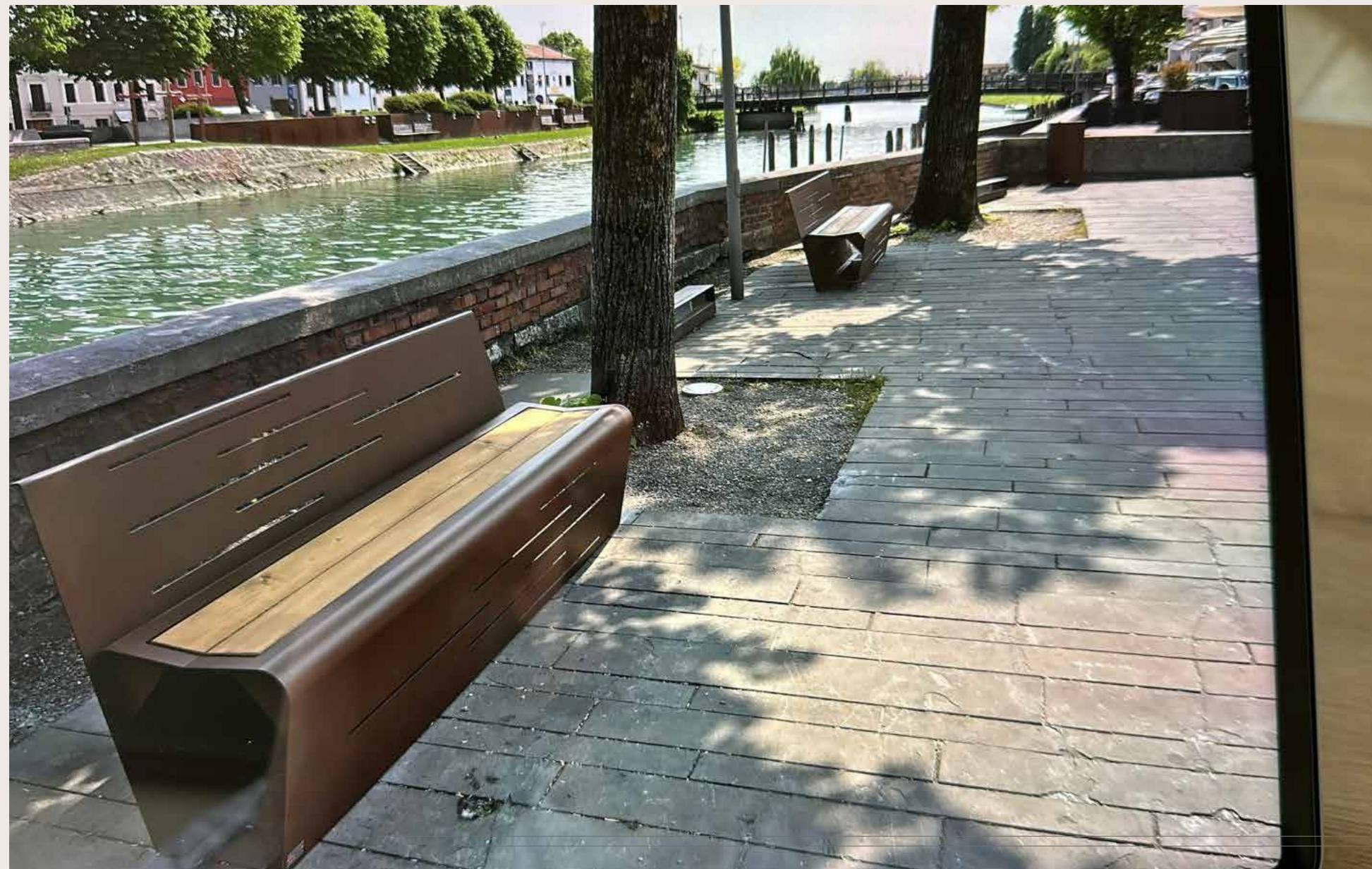
MAG WOOD



PANCA / SEAT

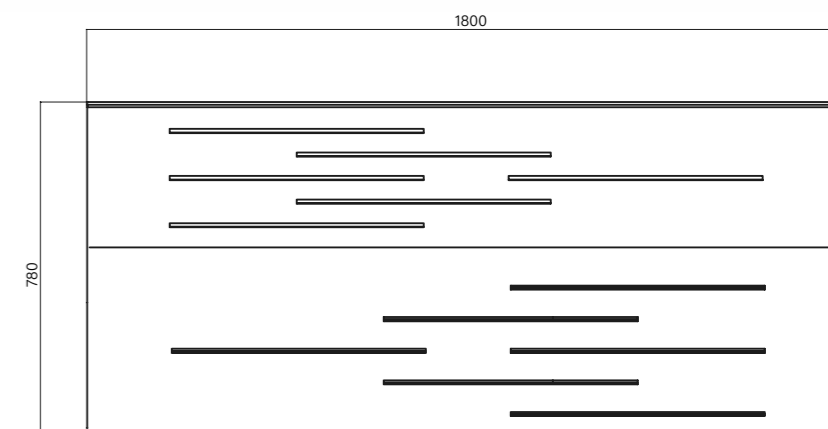
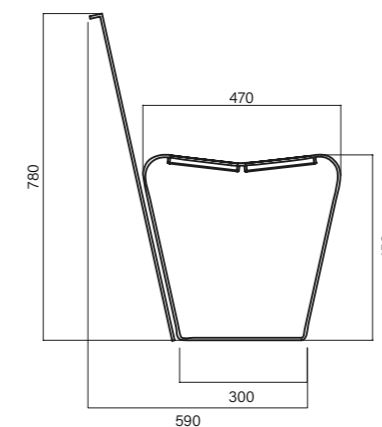
CODE: UL - PNC - 020
DIMENSIONS: L 1800 W 470 H 450
MATERIAL: STEEL - WOOD

MAG WOOD

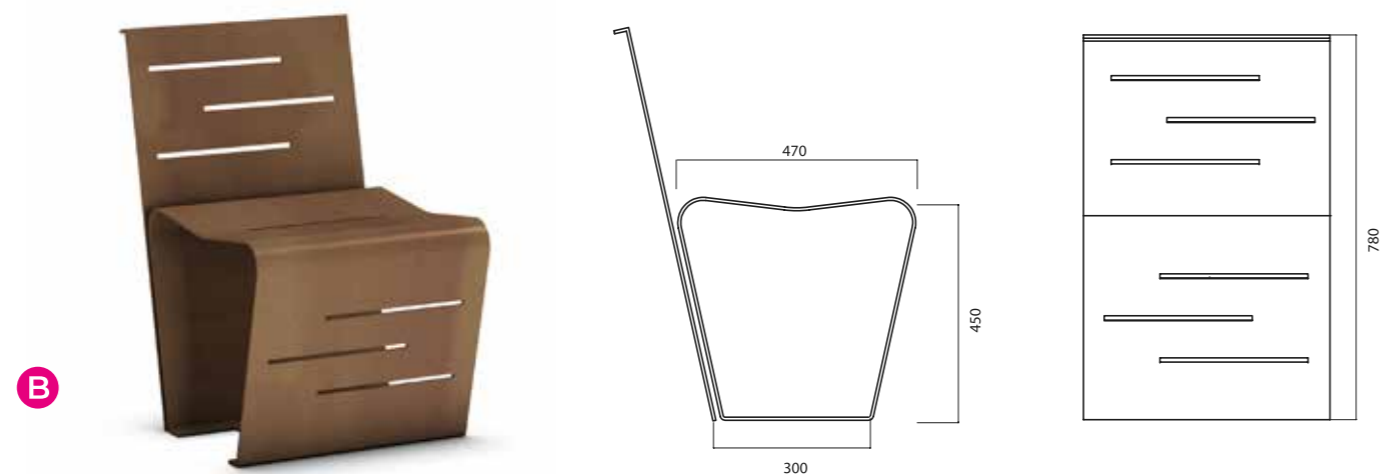
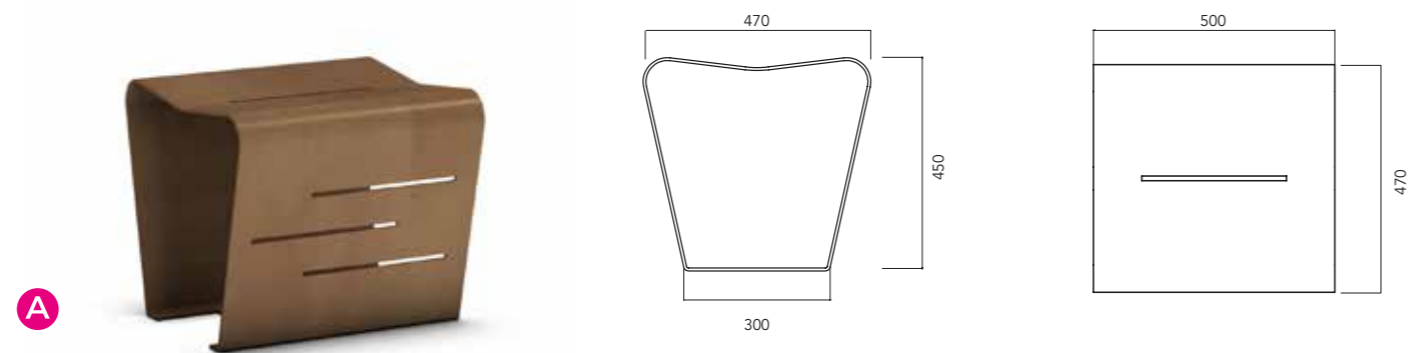


PANCHINA / BENCH

CODE: UL - PNC - 019
DIMENSIONS: L 1800 W 590 H 780
MATERIAL: STEEL - WOOD



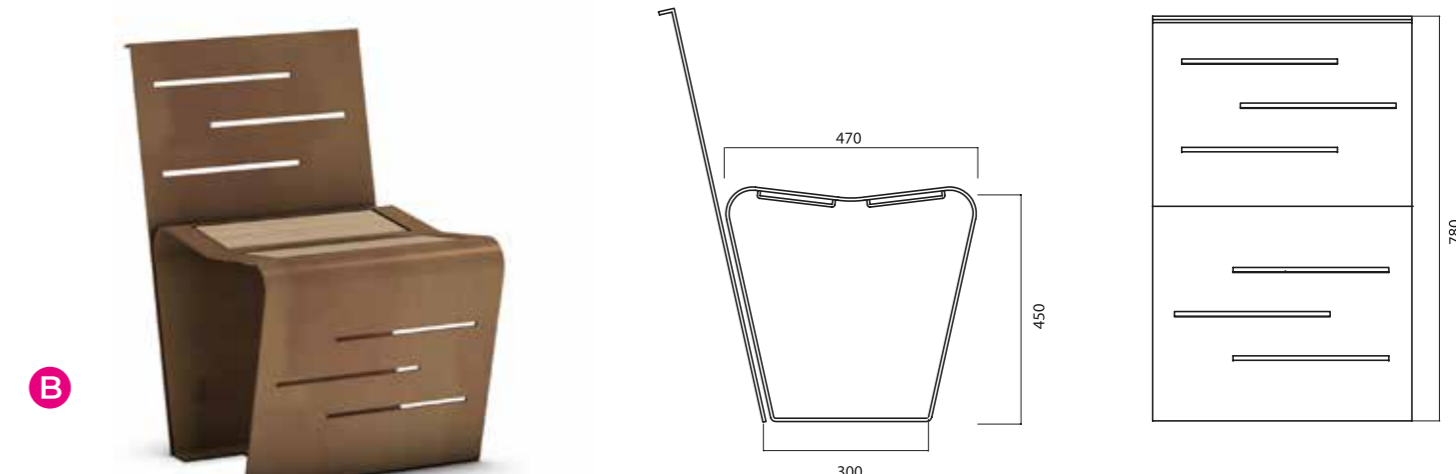
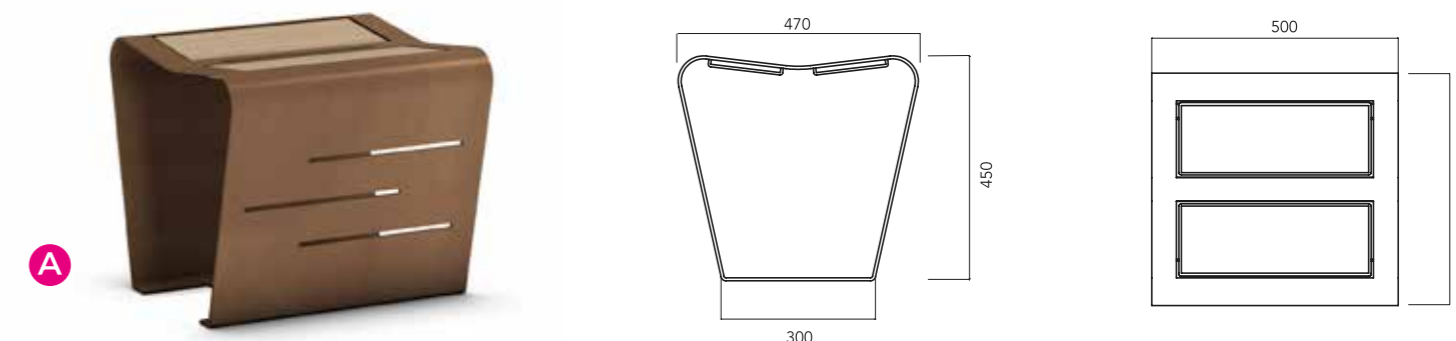
MAC



SEDUTA / SEAT

CODE A: UL - PNC - 017
CODE B: UL - PNC - 018
DIMENSIONS A: L 500 P 470 H 450
DIMENSIONS B: L 500 P 590 H 780
MATERIAL: STEEL

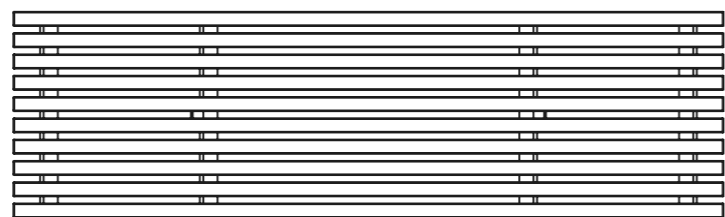
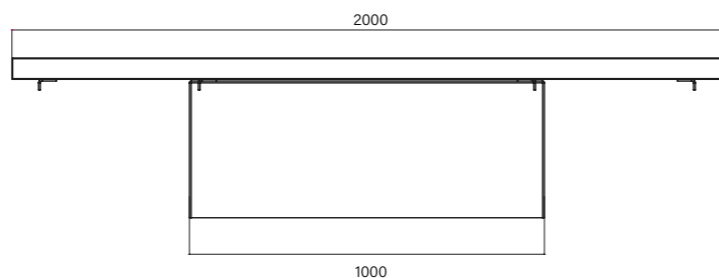
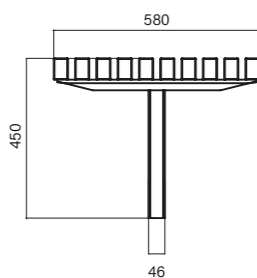
MAC WOOD



SEDUTA / SEAT

CODE A: UL - PNC - 021
CODE B: UL - PNC - 022
DIMENSIONS A: L 500 P 470 H 450
DIMENSIONS B: L 500 P 590 H 780
MATERIAL: STEEL - WOOD

MINIMAL

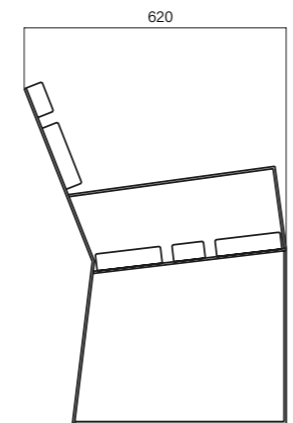
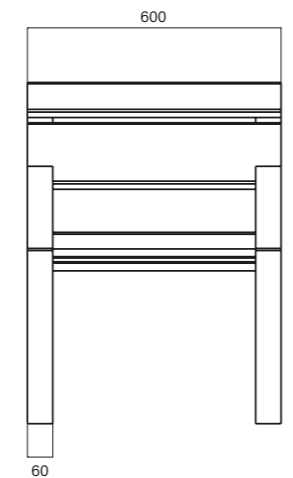
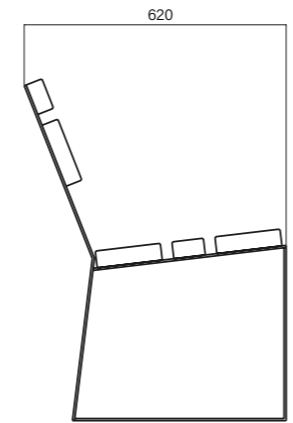
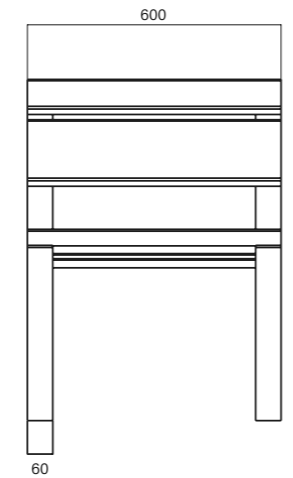


PANCA / SEAT

CODE: UL - PNC - 014
DIMENSIONS: L 2000 W 580 H 450
MATERIAL: STEEL - WOOD

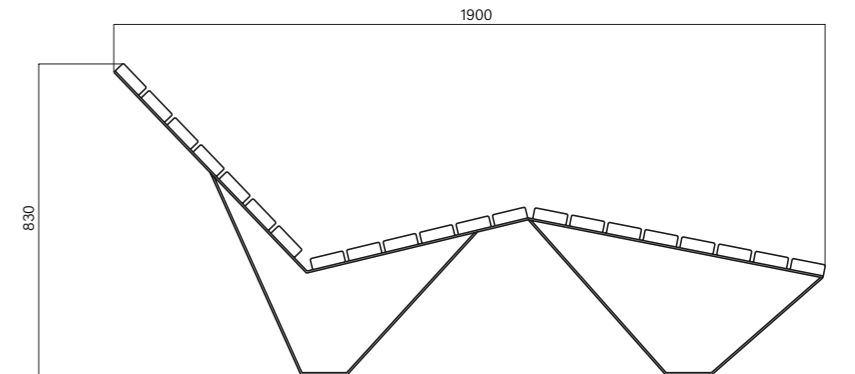
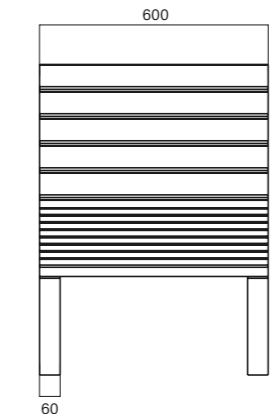


EASY EVO



SEDIA / CHAIR

CODE **A:** UL - PNC - 075
 CODE **B:** UL - PNC - 076
 DIMENSIONS **A:** L 600 W 620 H 810
 DIMENSIONS **B:** L 600 W 620 H 810
 MATERIAL: STEEL - WOOD

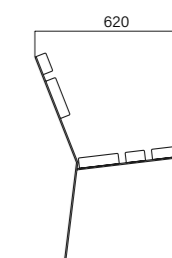
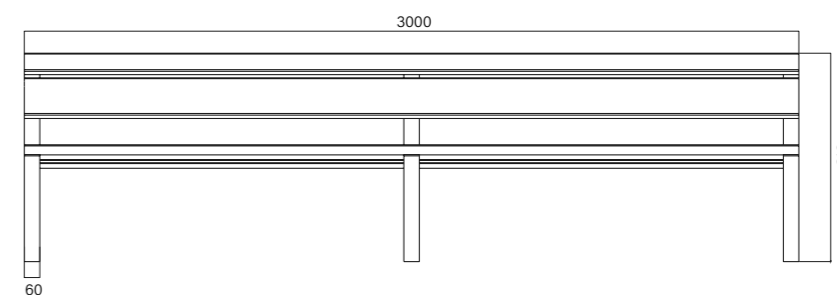
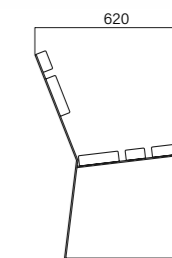
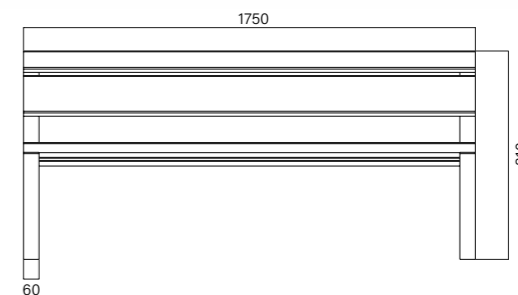


SDRAIO / RELAX

CODE: UL - PNC - 077
 DIMENSIONS: L 1900 W 600 H 830
 MATERIAL: STEEL - WOOD



EASY EVO



PANCHINA / BENCH

CODE A: UL - PNC - 012
CODE B: UL - PNC - 012L
DIMENSIONS A: L 1750 W 620 H 810
DIMENSIONS B: L 3000 W 620 H 810
MATERIAL: STEEL - WOOD

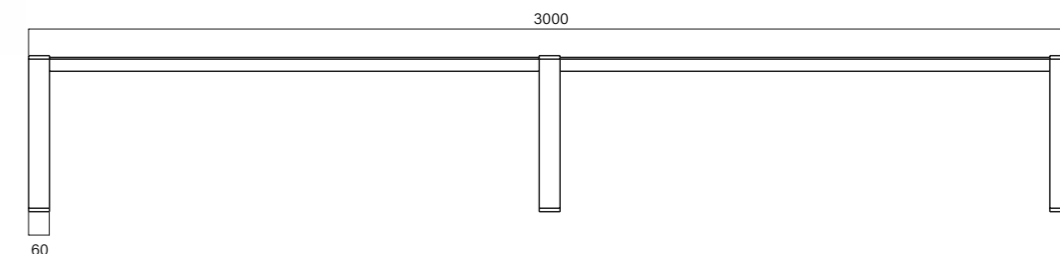
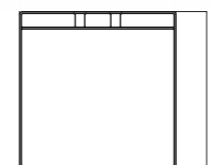
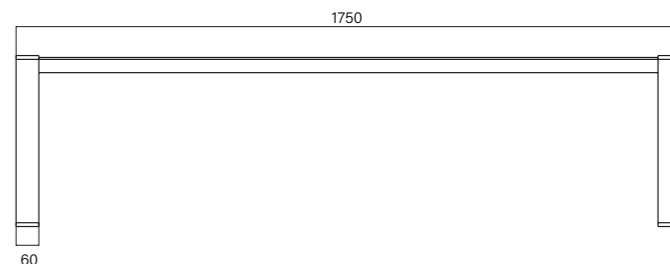
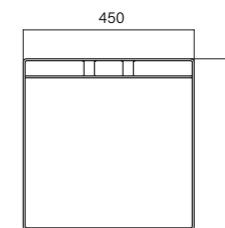


EASY EVO

A



B



PANCA / SEAT

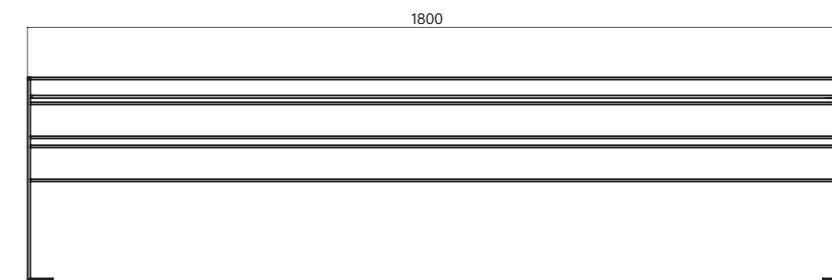
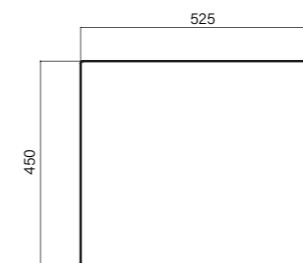
CODE A: UL - PNC - 010
 CODE B: UL - PNC - 010L
 DIMENSIONS A: L 1750 W 450 H 450
 DIMENSIONS B: L 3000 W 450 H 450
 MATERIAL: STEEL - WOOD



ETIC

PANCA / SEAT

CODE: UL - PNC - 030
DIMENSIONS A: L 1800 W 525 H 450
MATERIAL: STEEL - WOOD





B



A

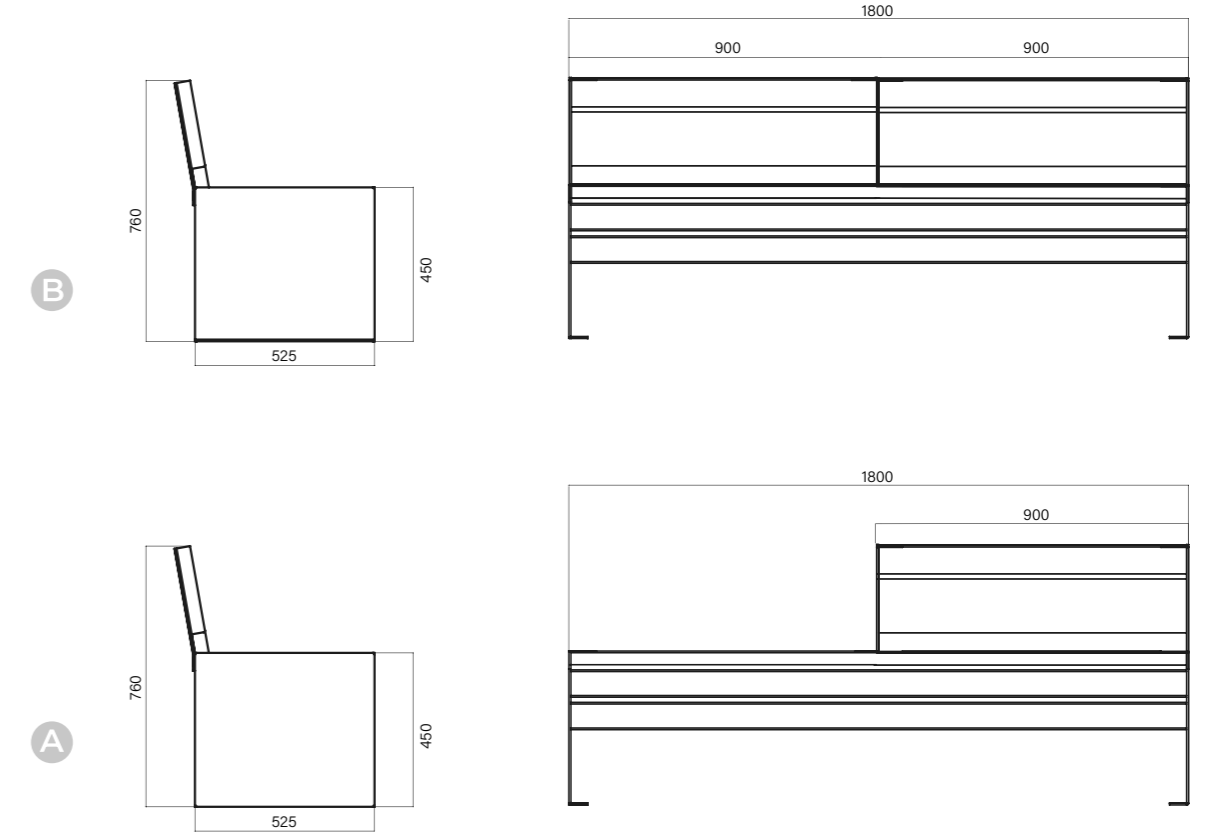
ETIC

ONE and TWO

OPTIONAL BRACCILO / ARMREST

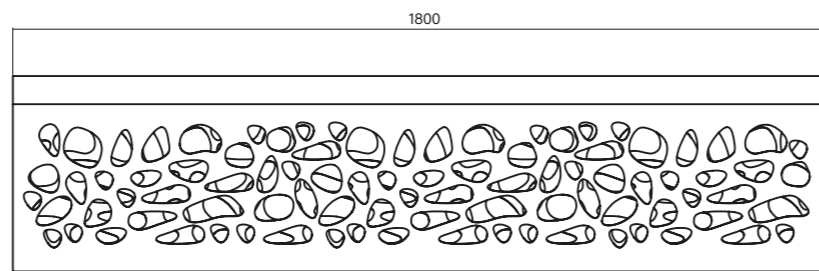
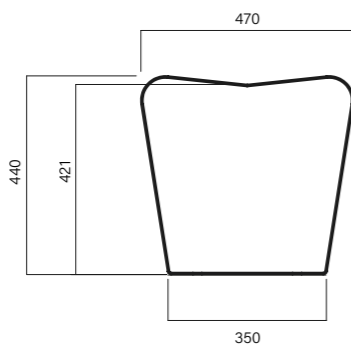
PANCHINA / BENCH

CODE A: UL - PNC - 031
 CODE B: UL - PNC - 032
 DIMENSIONS A: L 1800 W 525 H 760
 DIMENSIONS B: L 1800 W 525 H 760
 MATERIAL: STEEL - WOOD



SOFA CLAPS

SEAT



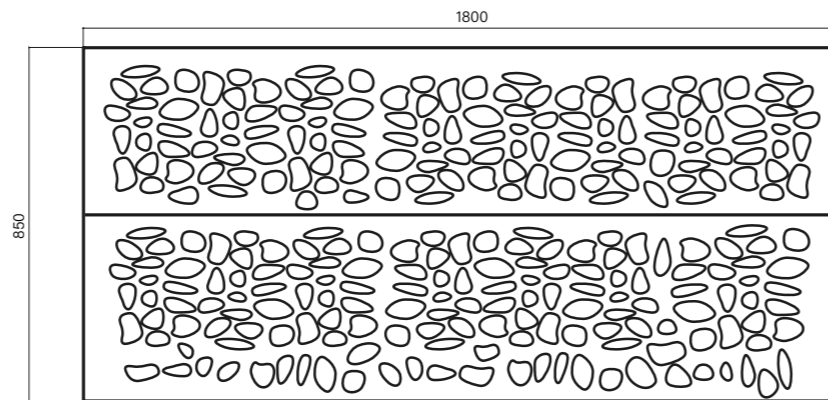
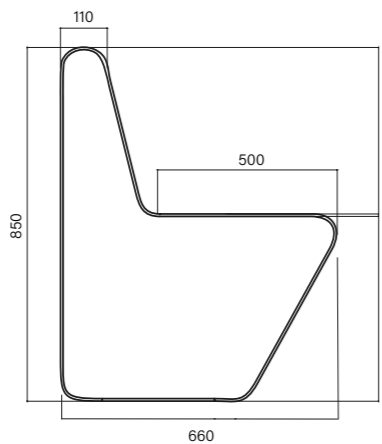
PANCA / SEAT

CODE: UL - PNC - 039 - S
DIMENSIONS: L 1800 W 470 H 440
MATERIAL: STEEL



SOFA CLAPS

BENCH



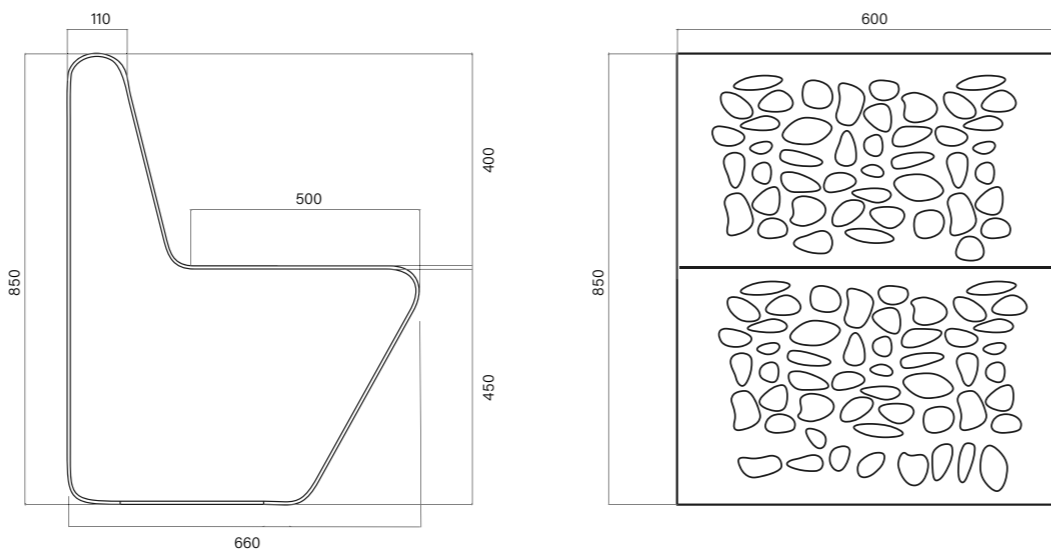
PANCHINA / BENCH

CODE: UL - PNC - 039
DIMENSIONS: L 1800 W 660 H 850
MATERIAL: STEEL



SOFA CLAPS

CHAIR



SEDIA / CHAIR

CODE: UL - PNC - 078
DIMENSIONS: L 600 W 660 H 850
MATERIAL: STEEL



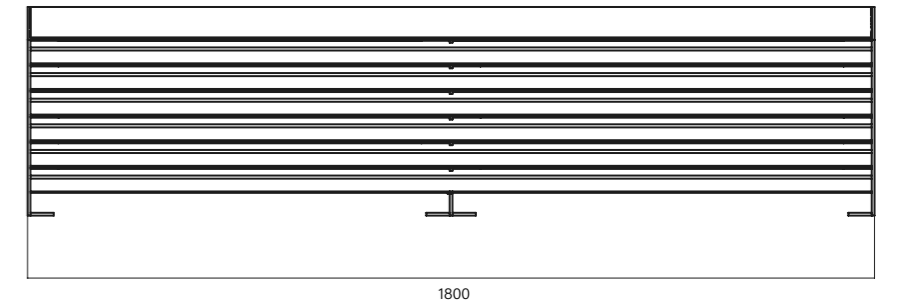
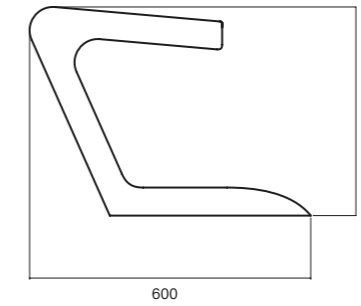


WOODY



PANCA / SEAT

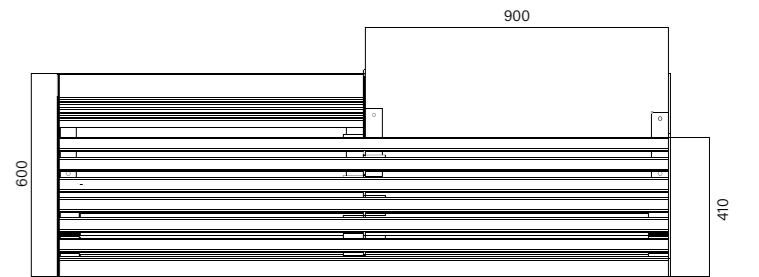
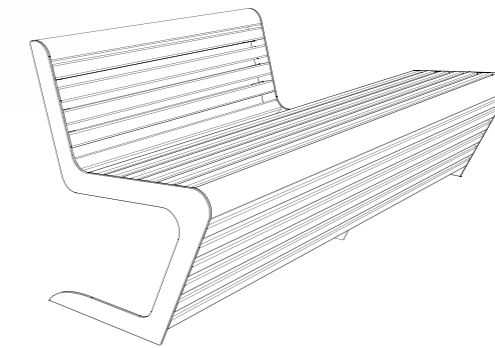
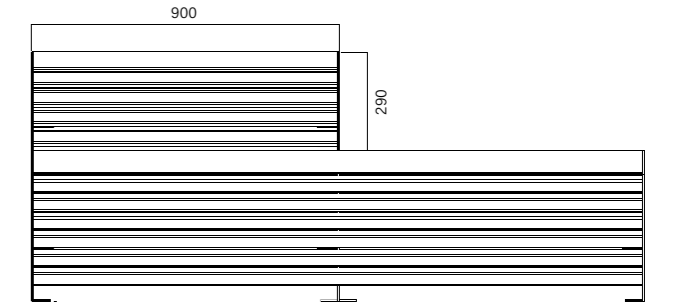
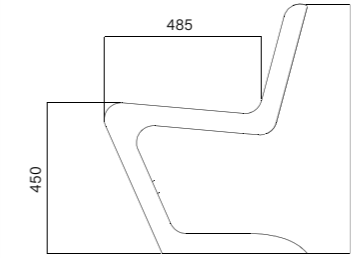
CODE: UL - PNC - 002
DIMENSIONS: L 1800 W 600 H 450
MATERIAL: STEEL - WOOD





WOODY

50/50



PANCHINA / BENCH

CODE: UL - PNC - 78
 DIMENSIONS: L 1800 W 600 H 740
 MATERIAL: STEEL - WOOD

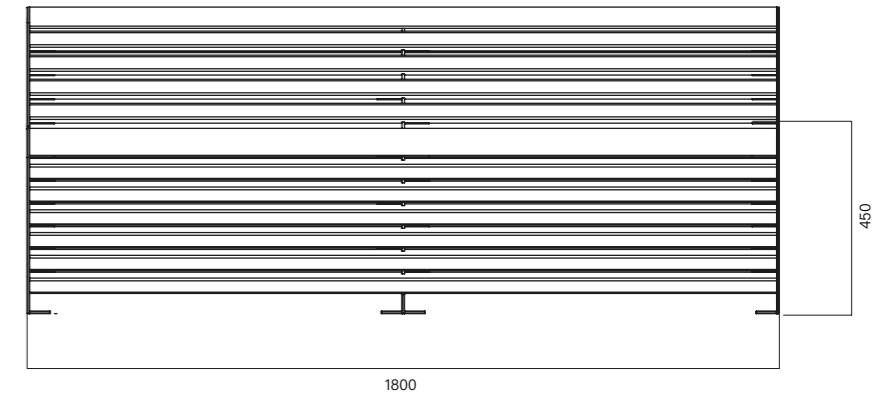
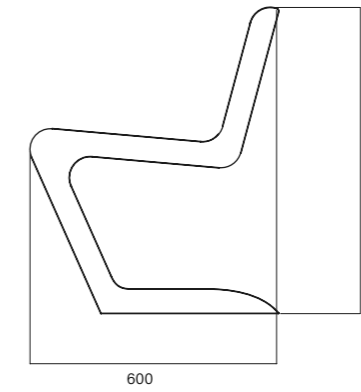


WOODY

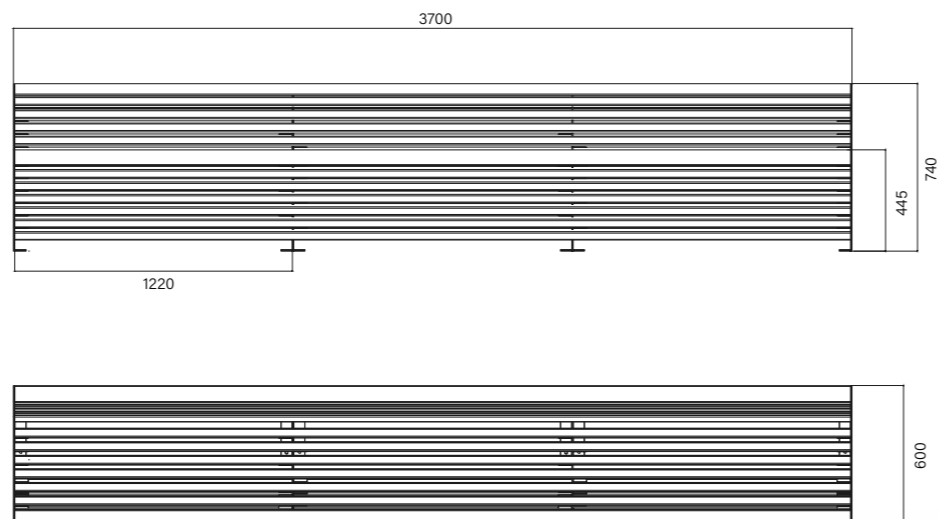
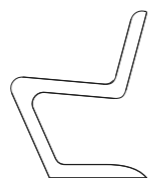
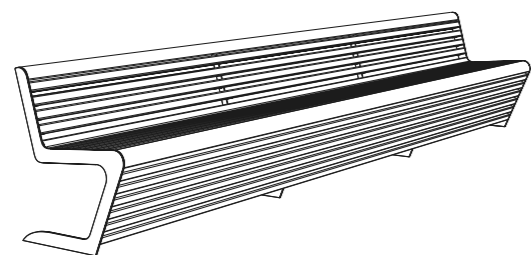


PANCHINA / BENCH

CODE: UL - PNC - 001
DIMENSIONS: L 1800 W 600 H 730
MATERIAL: STEEL - WOOD

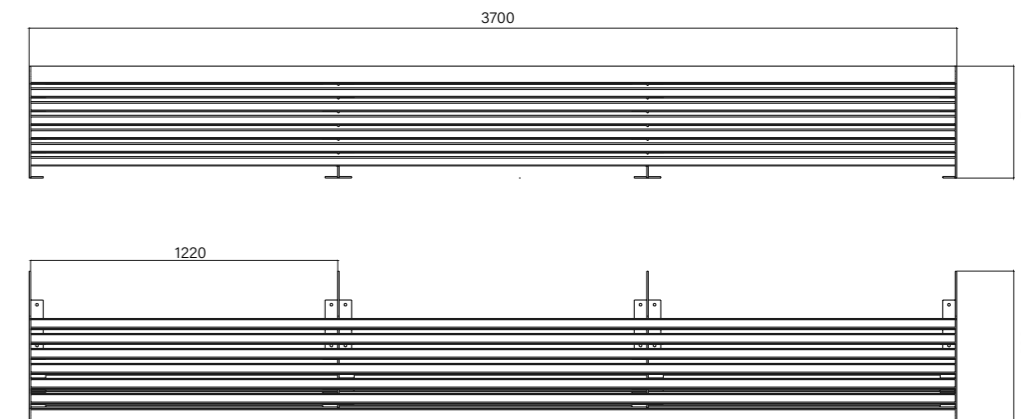
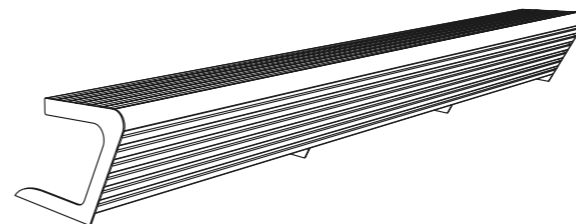


WOODY 3.7



PANCHINA / BENCH

CODE: UL - PNC - 079
DIMENSIONS: L 3700 W 600 H 445
MATERIAL: STEEL - WOOD

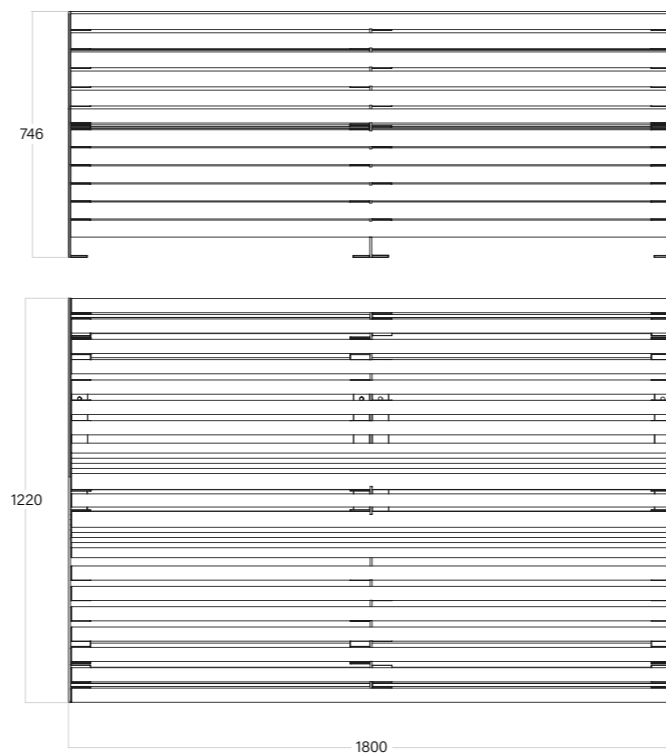
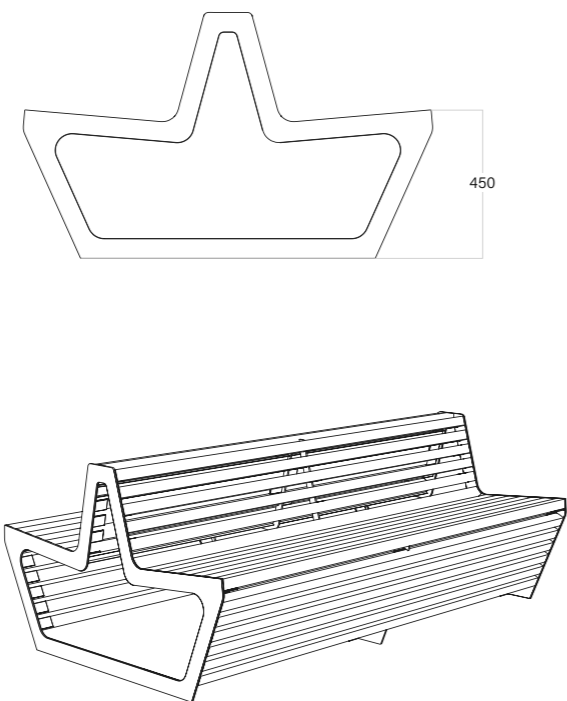


PANCA / SEAT

CODE: UL - PNC - 081
DIMENSIONS: L 3700 W 600 H 445
MATERIAL: STEEL - WOOD

WOODY

TWINS

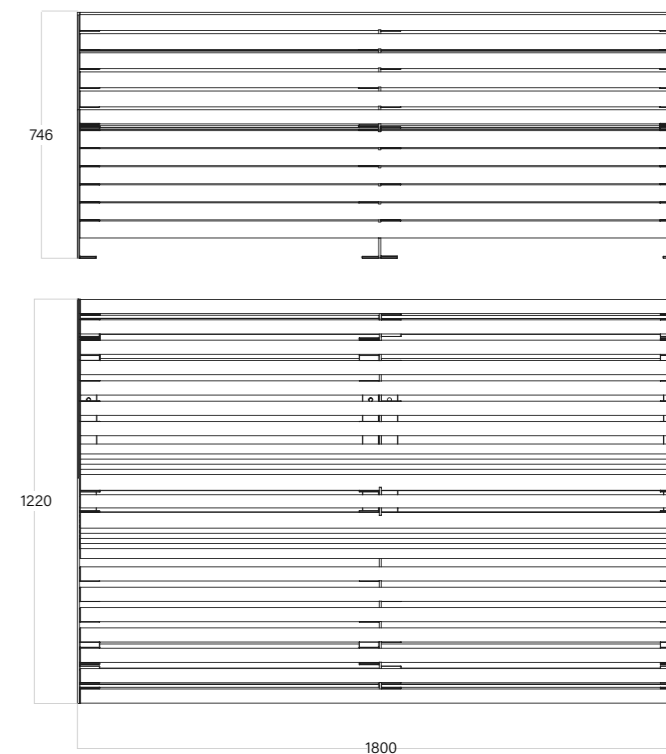
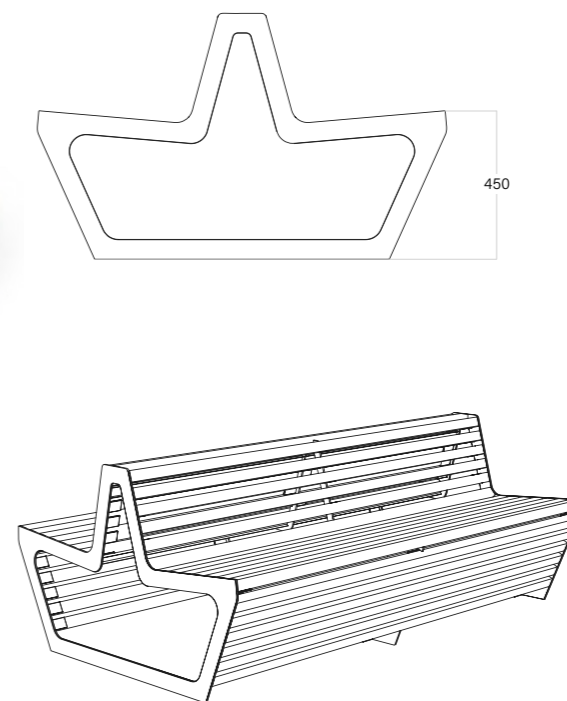


PANCHINA / BENCH

CODE: UL - PNC - 080
DIMENSIONS: L 1800 W 1200 H 746
MATERIAL: STEEL - WOOD

WOODY

TWINS WPC

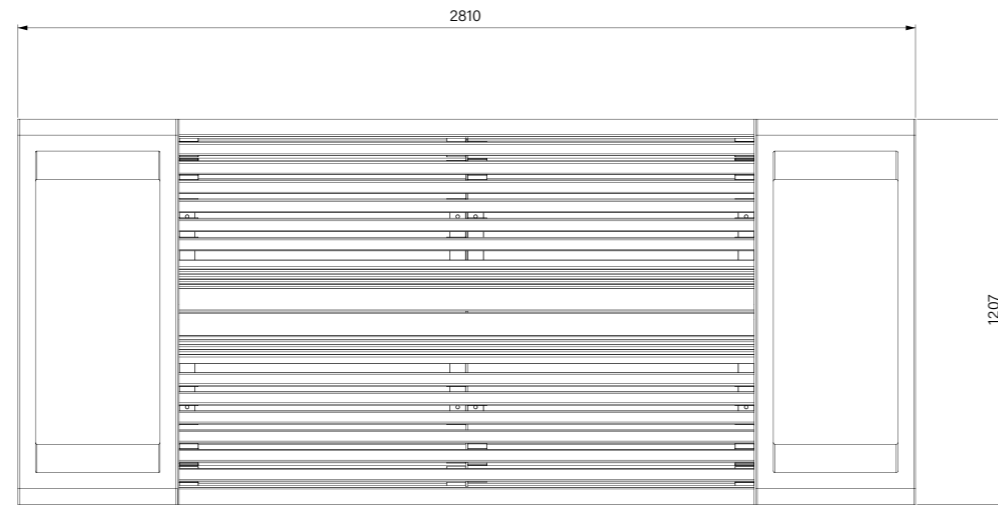
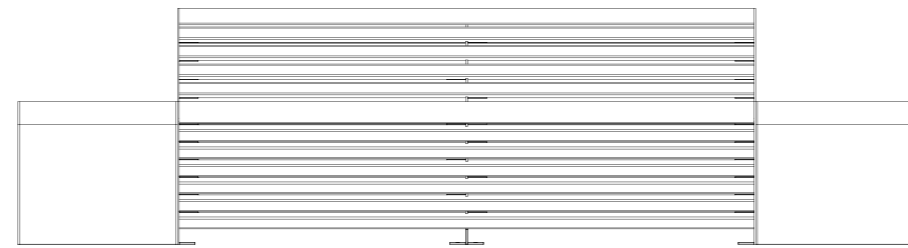
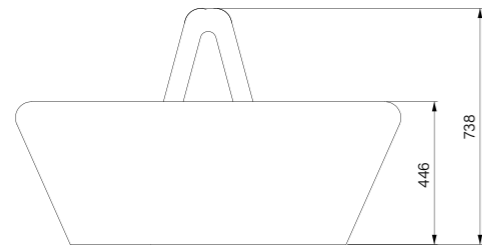


PANCHINA / BENCH

CODE: UL - PNC - 080 WPC
DIMENSIONS: L 1800 W 1200 H 746
MATERIAL: WPC

WOODY

TWINS FIORIERA



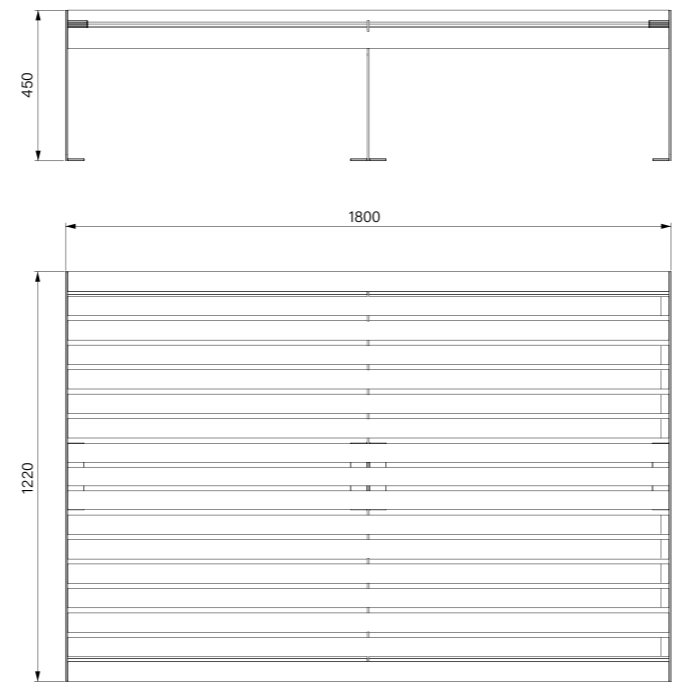
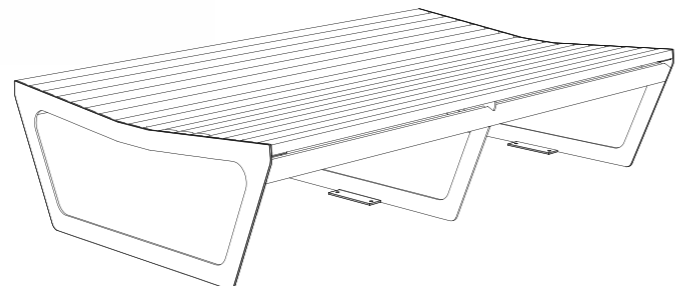
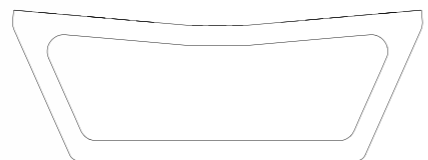
PANCHINA / BENCH

CODE: UL-PNC-082
 DIMENSIONS: L 2810 W 1207 H 738
 MATERIAL: STEEL - WOOD



WOODY

TWINS



PANCHINA / BENCH

CODE: UL-PNC-8000
DIMENSIONS: L 1800 W 1220 H 450
MATERIAL: STEEL - WOOD





FLAT 1

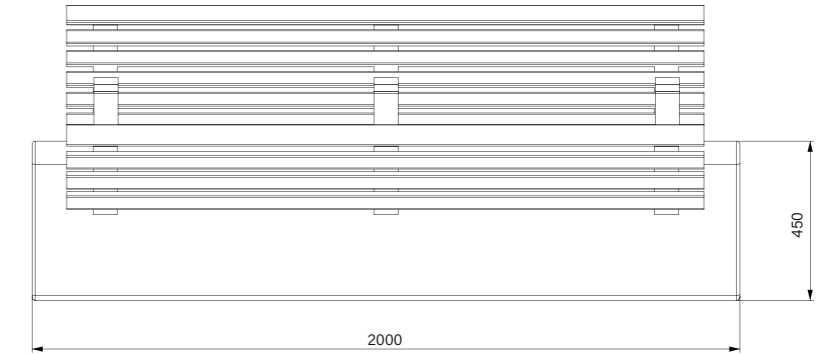
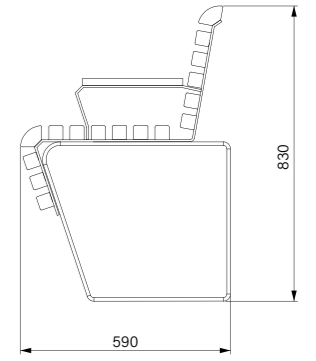
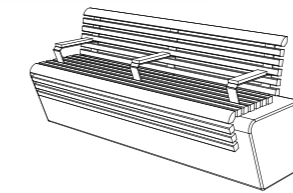
OPTIONAL
BRACCIOLO / ARMREST

OPTIONAL
MONOLITHE
CODE UL - PNC - 043

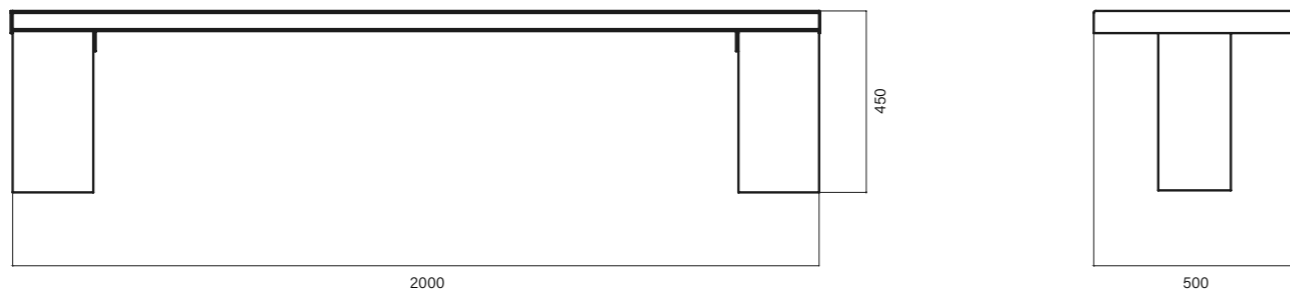


PANCHINA / BENCH

CODE: UL - PNC - 005
DIMENSIONS: L 2000 W 590 H 830
MATERIAL: STEEL - WOOD



LIBERTY

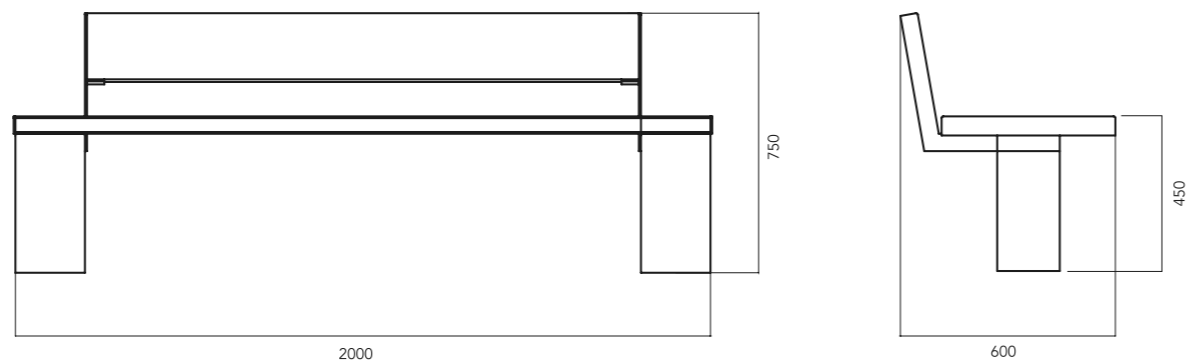


PANCA / SEAT

CODE: UL - PNC - 004
DIMENSIONS: L 2000 W 500 H 450
MATERIAL: STEEL - WOOD



LIBERTY



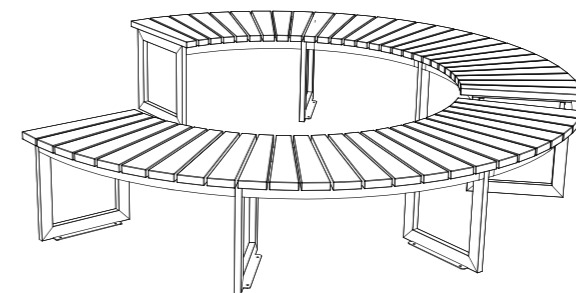
PANCHINA / BENCH

CODE: UL - PNC - 003
 DIMENSIONS: L 2000 W 600 H 750
 MATERIAL: STEEL - WOOD



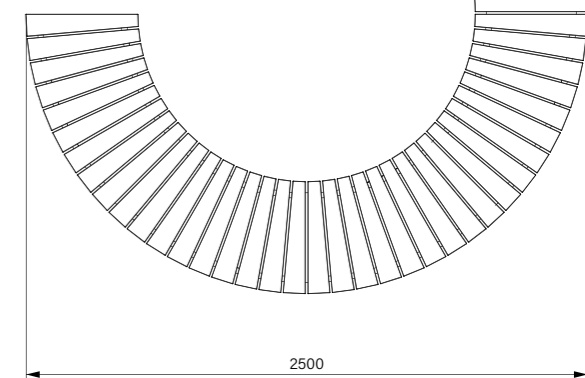
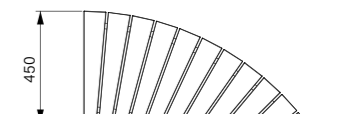
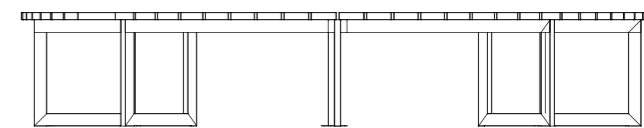
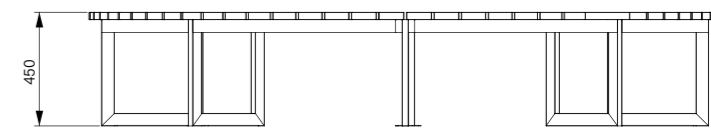


CIRCLE



PANCHINA / BENCH

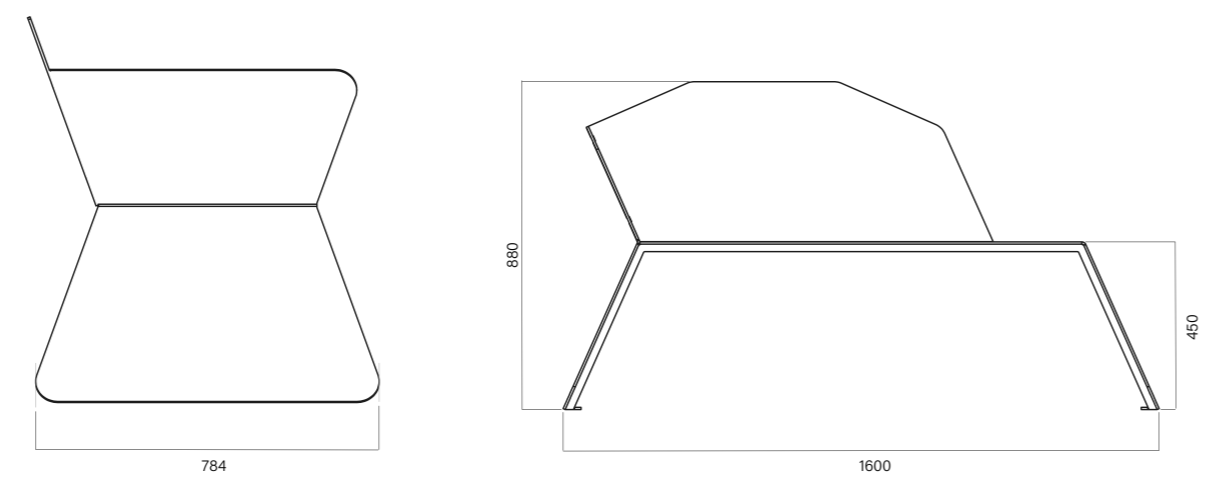
CODE: UL - PNC - 8500
DIMENSIONS: L 2500 W 450 H 450
MATERIAL: STEEL - WOOD



EGO
PANCHINE/BENCHES



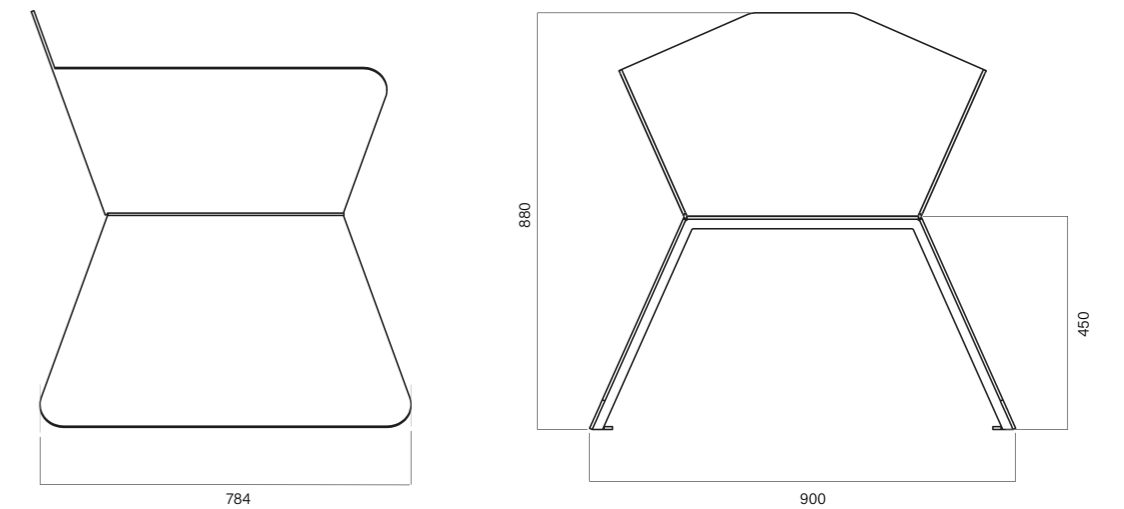
EGO A



PANCHINE / BENCHES

CODE T (TEXTURE): UL - PNC - 033 - E
DIMENSIONS: L 1600 W 784 H 880
MATERIAL: STEEL

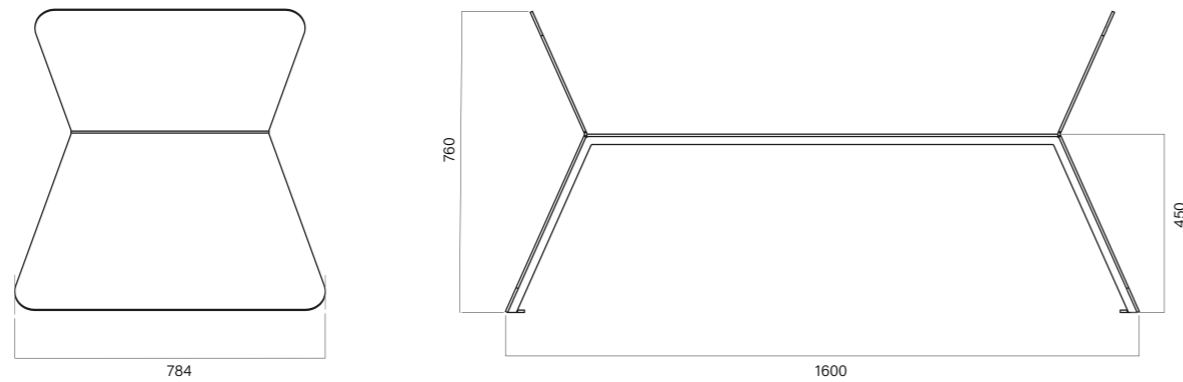
EGO B



SEDIA / CHAIR

CODE T (TEXTURE): UL - PNC - 035 - E
DIMENSIONS: L 900 W 784 H 880
MATERIAL: STEEL

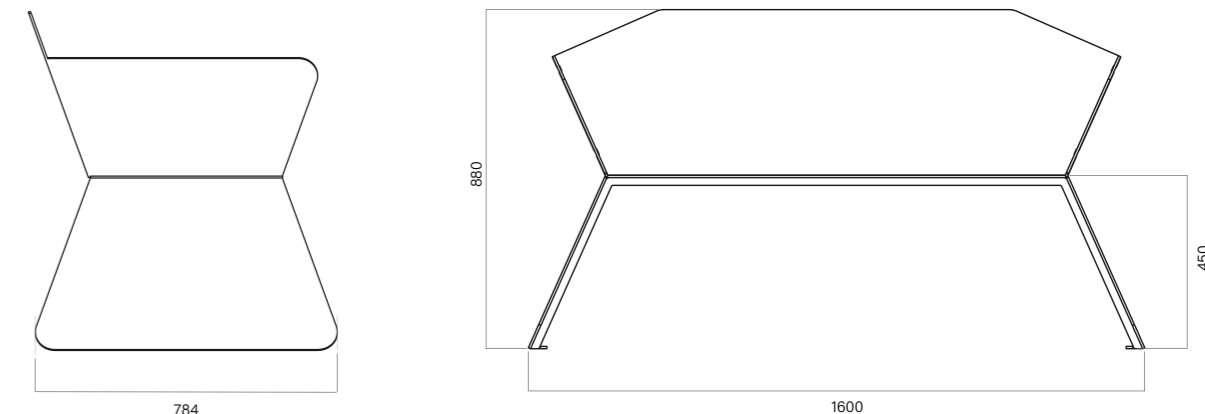
EGO C



PANCHINE / BENCHES

CODE T (TEXTURE): UL - PNC - 037 - E
DIMENSIONS: L 1600 W 784 H 760
MATERIAL: STEEL

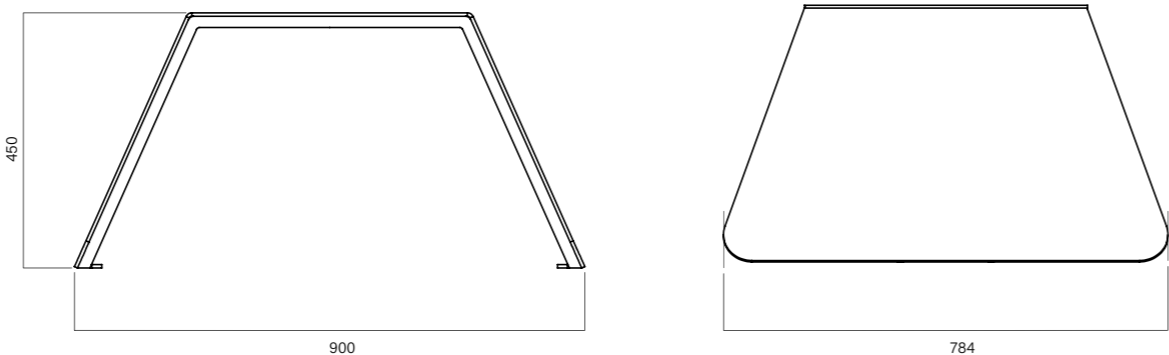
EGO D



PANCHINE / BENCHES

CODE T (TEXTURE): UL - PNC - 034 - E
DIMENSIONS: L 1600 W 784 H 880
MATERIAL: STEEL

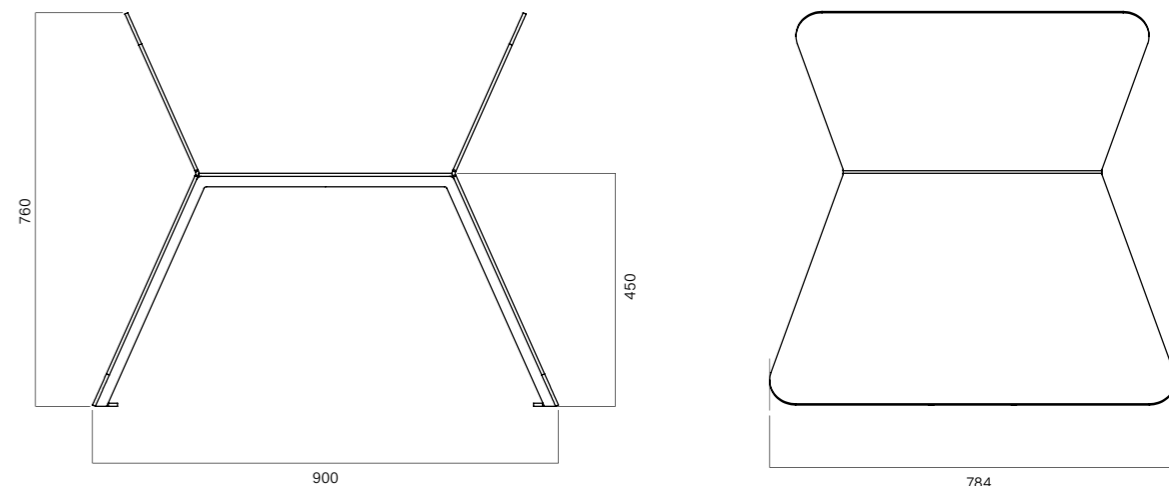
EGO E



SEDIA / CHAIR

CODE T (TEXTURE): UL - PNC - 038 - E
DIMENSIONS: L 900 W 784 H 450
MATERIAL: STEEL

EGO F



SEDIA / CHAIR

CODE T (TEXTURE): UL - PNC - 036 - E
DIMENSIONS: L 900 W 760 H 450
MATERIAL: STEEL

CLUB

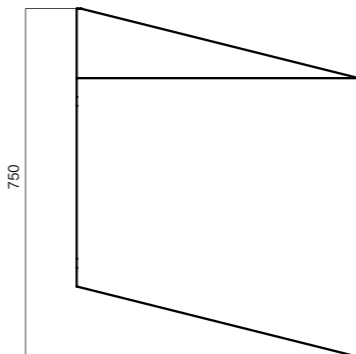
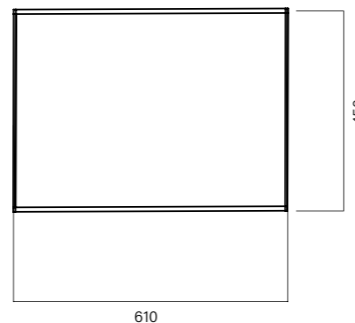
PANCHINE/BENCHES



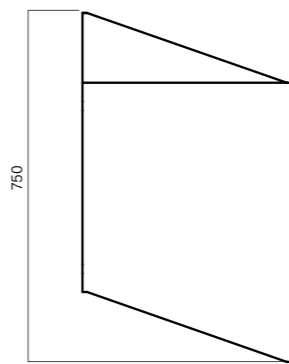
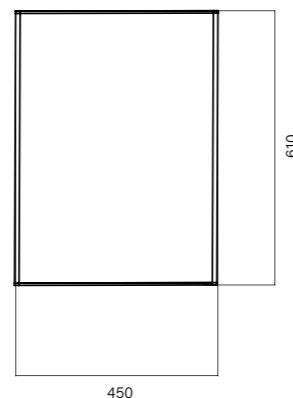
CLUB



A



B



SEDUTA / SEAT

CODE A: UL - PNC - 009A
CODE B: UL - PNC - 009B
DIMENSIONS A: L 610 W 750 H 450
DIMENSIONS B: L 450 W 750 H 610
MATERIAL: STEEL



URBAN SHELTER

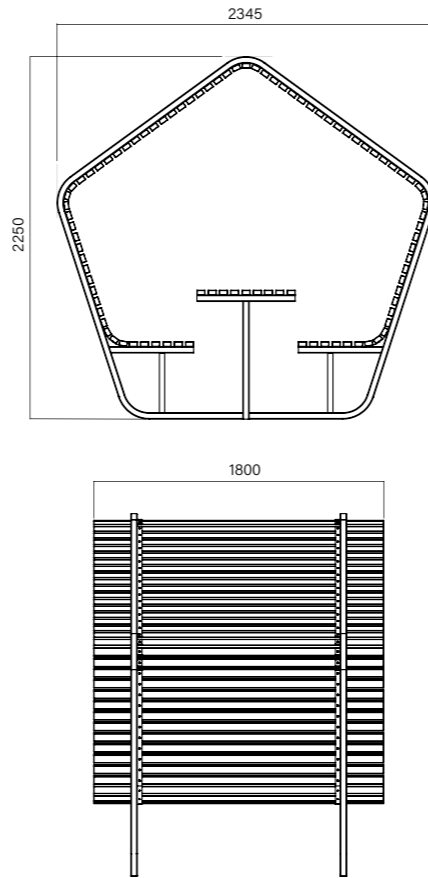
TABLE



OPTIONAL LUCE LED / LED LIGHT



OPTIONAL USB

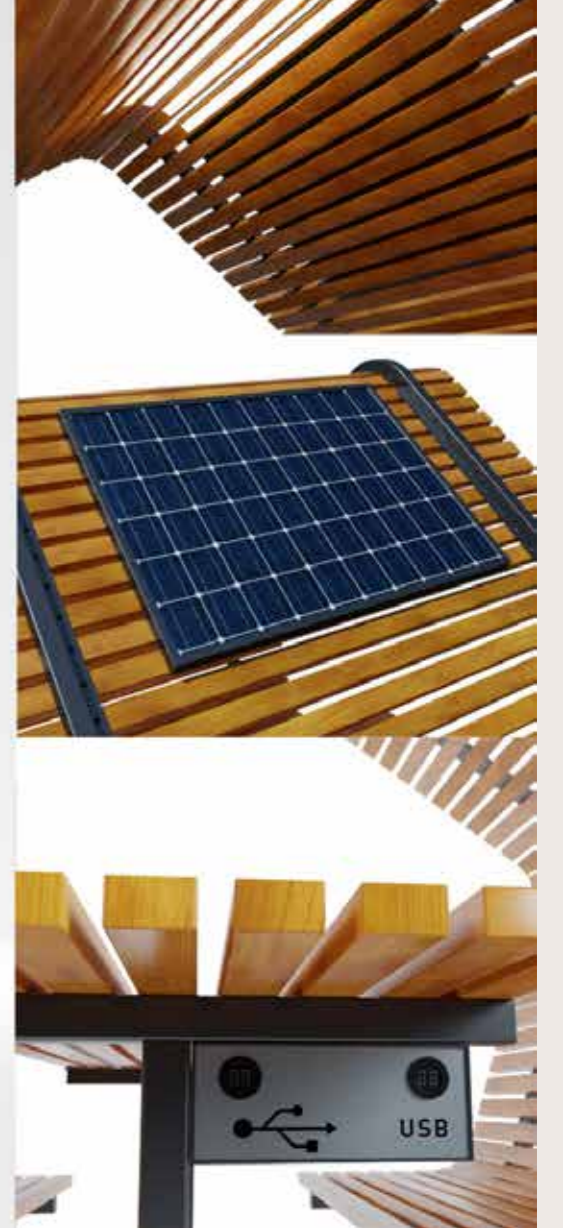


DESIGNED BY MARTIN SOLEM

PANCHINE / BENCHES

URBAN SHELTER TABLE
CODE: UL - PNC - 052
DIMENSIONS: L 1800 W 2345 H 2250
MATERIAL: STEEL - WOOD





URBAN SHELTER

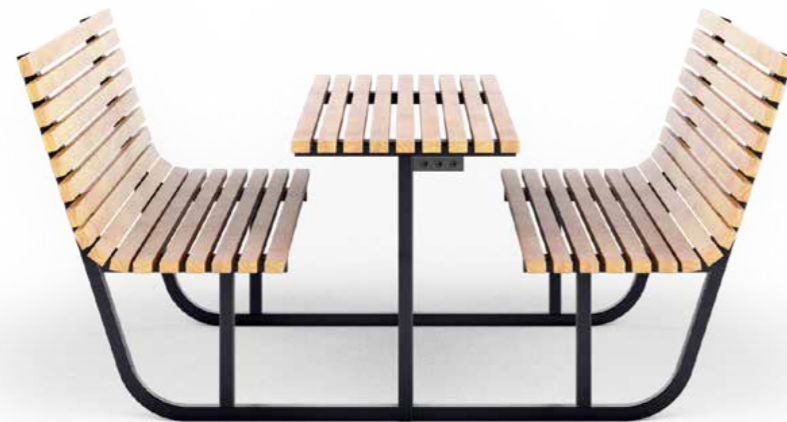
PIC NIC L



OPTIONAL LUCE LED / LED LIGHT



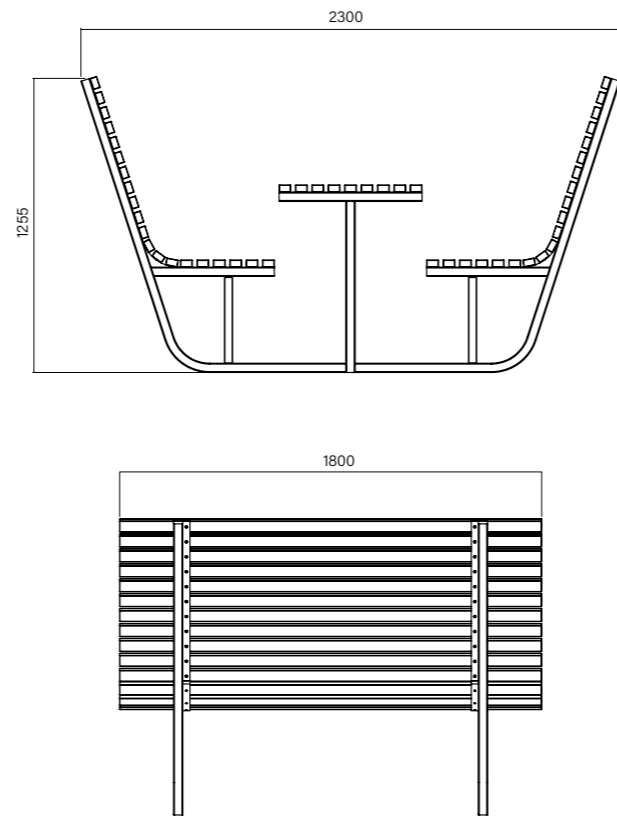
OPTIONAL USB



DESIGNED BY MARTIN SOLEM

PANCHINE / BENCHES

URBAN PIC NIC L
CODE: UL - PNC - 053
DIMENSIONS: L 1800 W 2300 H 1255
MATERIAL: STEEL - WOOD



URBAN SHELTER

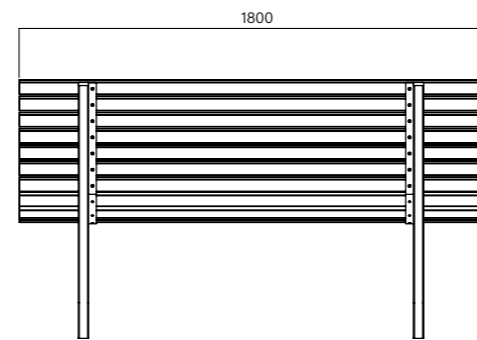
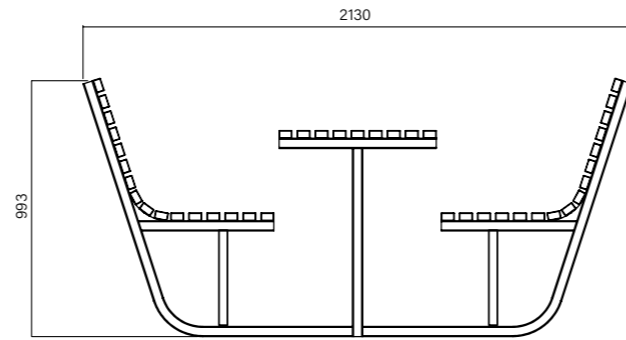
PIC NIC M



OPTIONAL LUCE LED / LED LIGHT



OPTIONAL USB



DESIGNED BY MARTIN SOLEM

PANCHINE / BENCHES

URBAN PIC NIC M

CODE: UL - PNC - 054

DIMENSIONS: L 1800 W 2130 H 993

MATERIAL: STEEL - WOOD



URBAN SHELTER

RELAX M

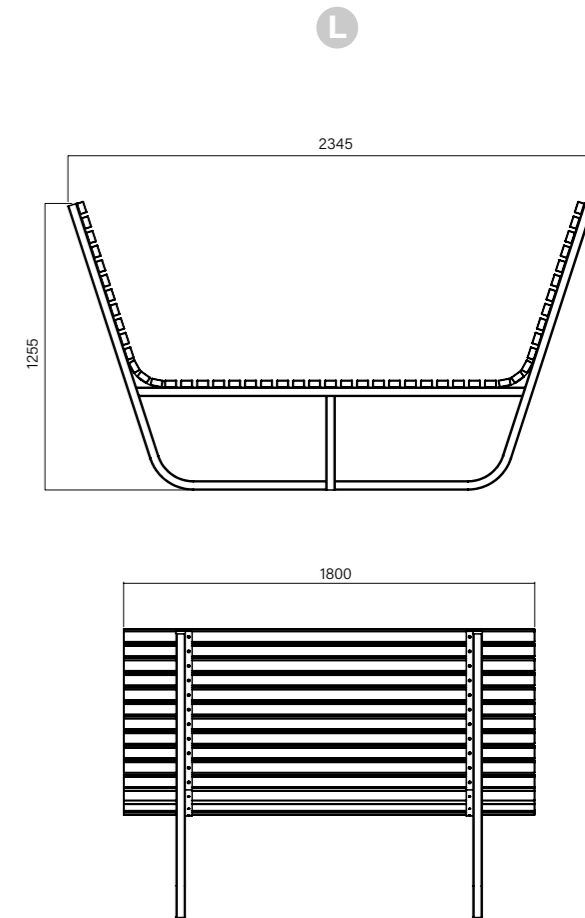
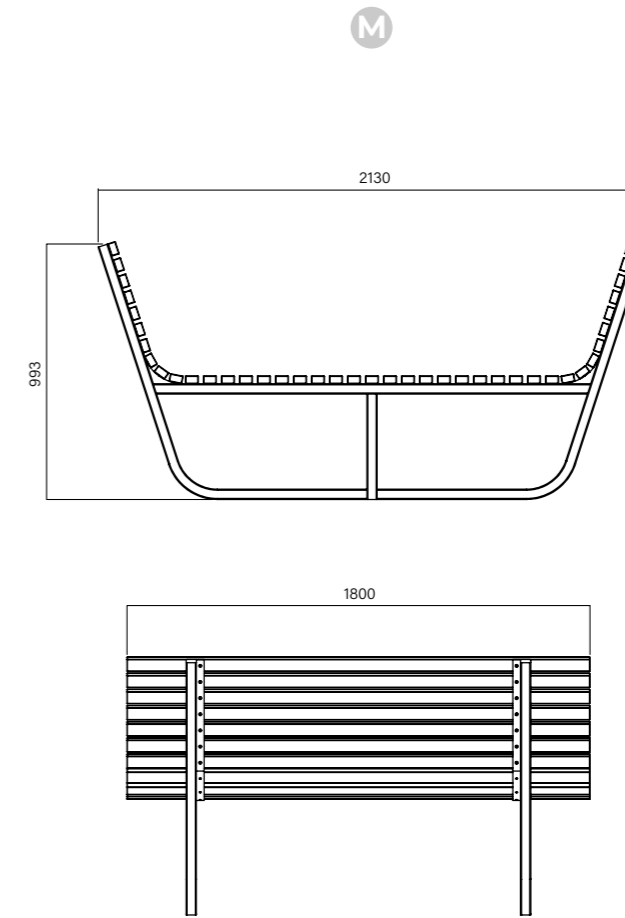
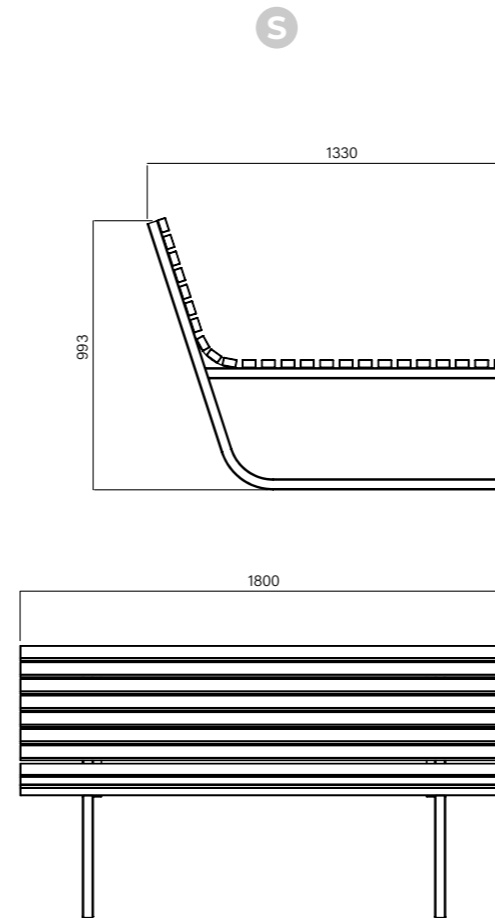
 **OPTIONAL** LUCE LED / LED LIGHT

 **OPTIONAL** USB

DESIGNED BY MARTIN SOLEM

PANCHINE / BENCHE

CODE S: UL - PNC - 058
CODE M: UL - PNC - 057
CODE L: UL - PNC - 056
DIMENSIONS S: L 1800 W 1330 H 993
DIMENSIONS M: L 1800 W 2130 H 993
DIMENSIONS L: L 1800 W 2345 H 1255
MATERIAL: STEEL - WOOD

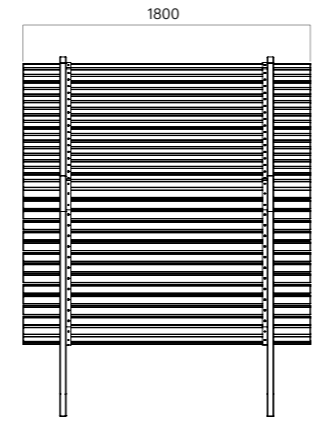
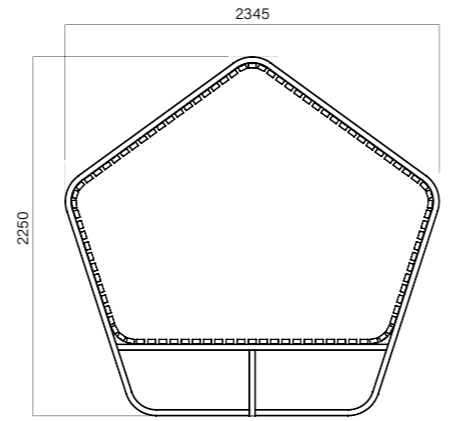


URBAN SHELTER

RELAX

 **OPTIONAL** LUCE LED / LED LIGHT

 **OPTIONAL** USB



DESIGNED BY MARTIN SOLEM

PANCHINE / BENCHES

URBAN SHELTER RELAX
CODE: UL - PNC - 055
DIMENSIONS: L 1800 W 2345 H 2250
MATERIAL: STEEL - WOOD





CUBIC

 **OPTIONAL** LUCE LED / LED LIGHT

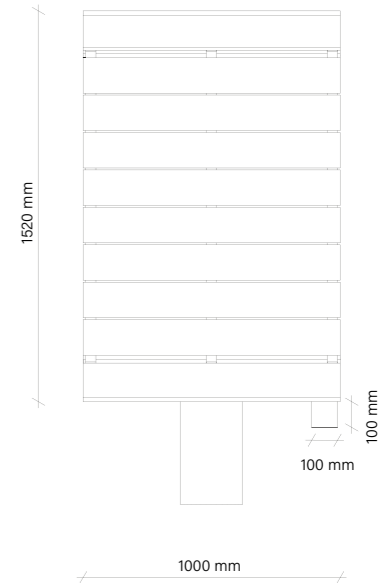
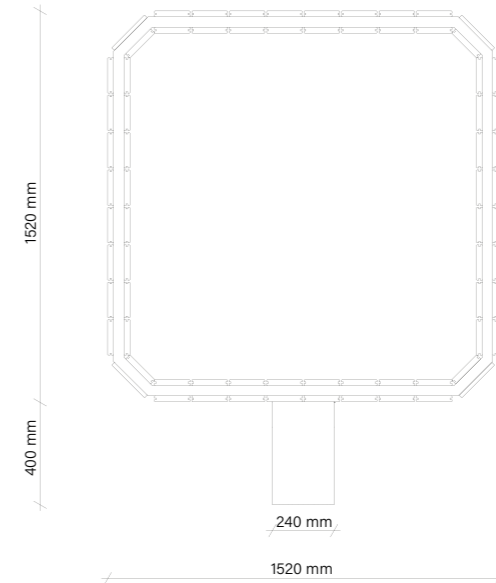
 **OPTIONAL** USB



DESIGNED BY MARCO VIVAN

PANCHINE / BENCHES

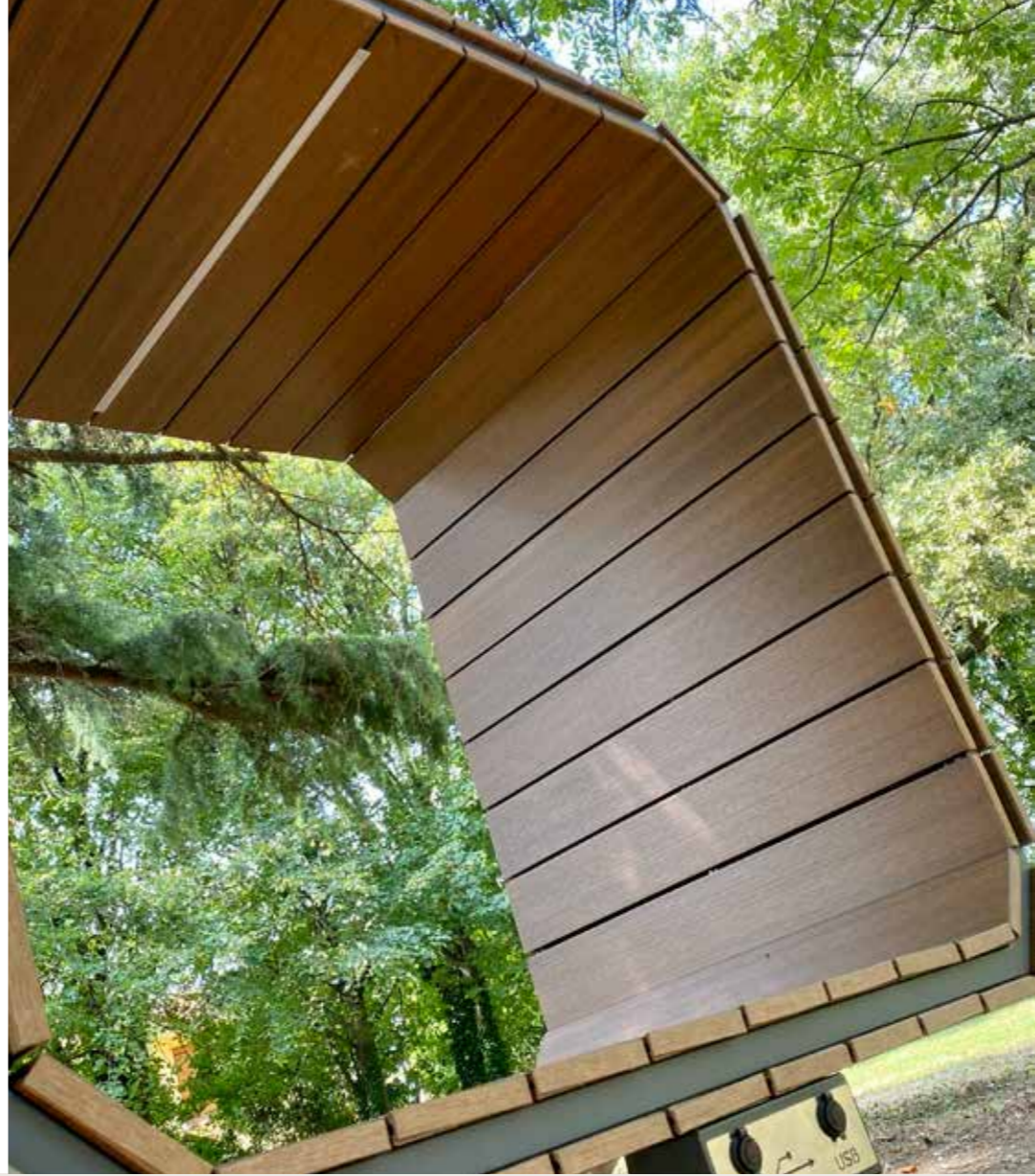
CODE: UL - PNC - 098 - WPC
 DIMENSIONS: L 1520 W 1000 H 1520
 MATERIAL: STEEL/WPC

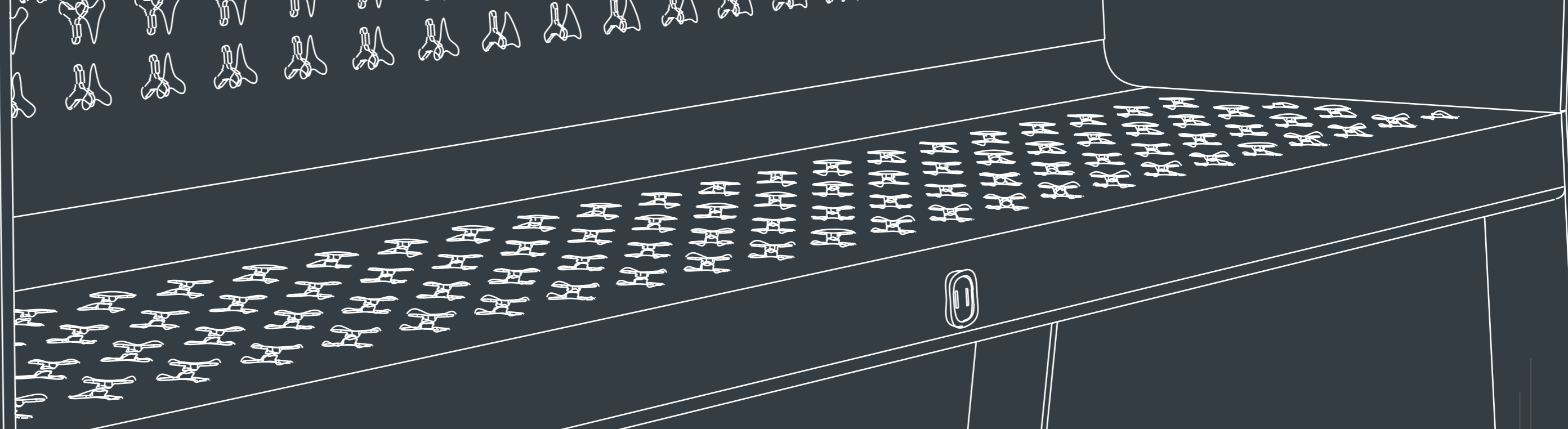
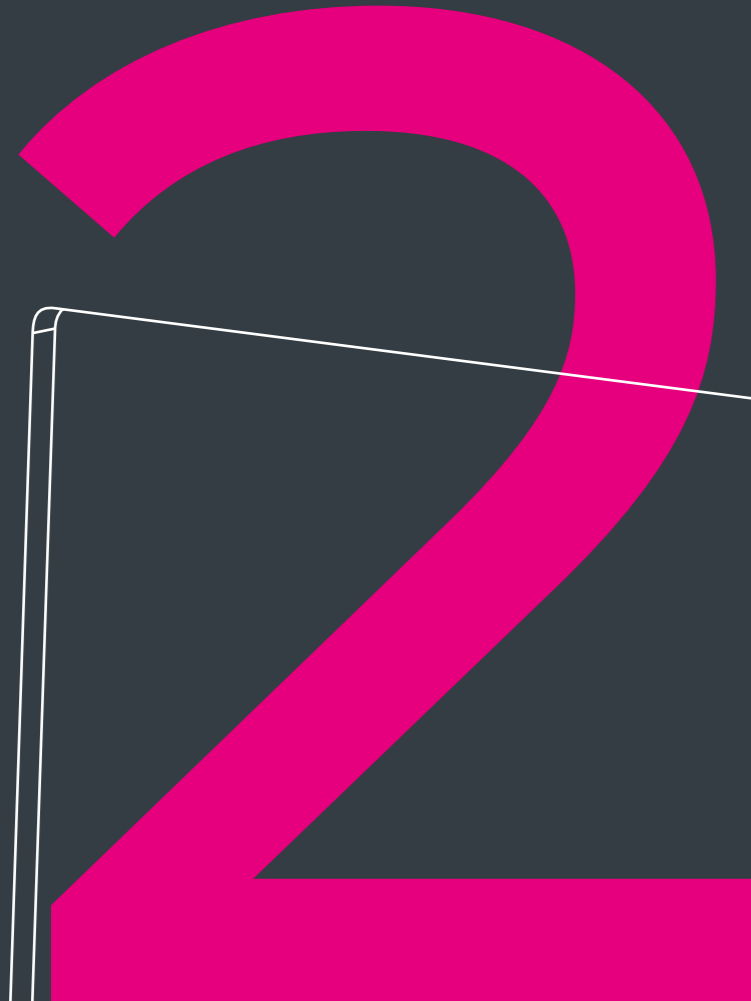




DESIGNED BY MARCO VIVAN





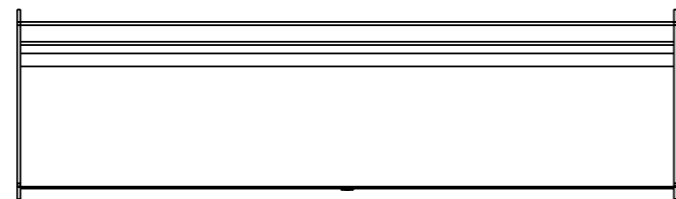
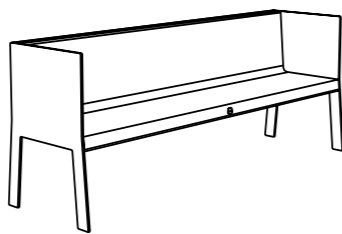
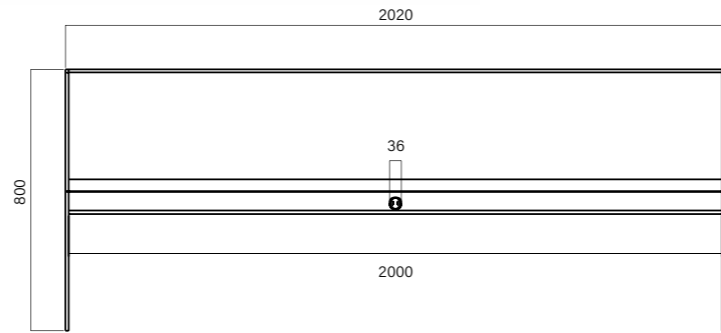
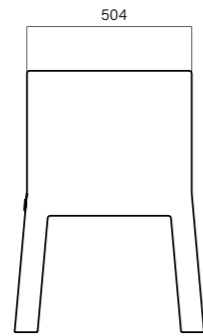


MALL COLLECTION



MALL

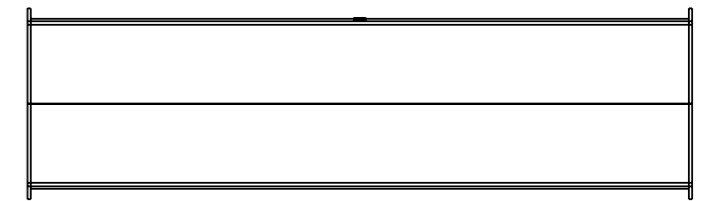
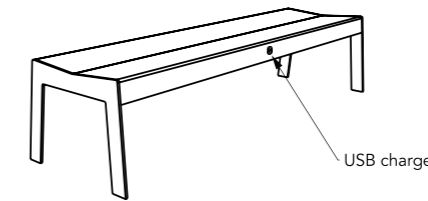
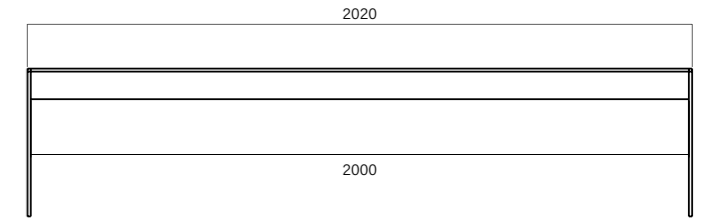
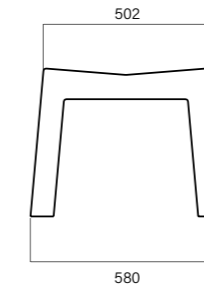
 OPTIONAL USB



PANCHINA / BENCH

CODE: UL - PNC - 081
DIMENSIONS: L 2020 W 504 H 800
MATERIAL: STEEL

 OPTIONAL USB

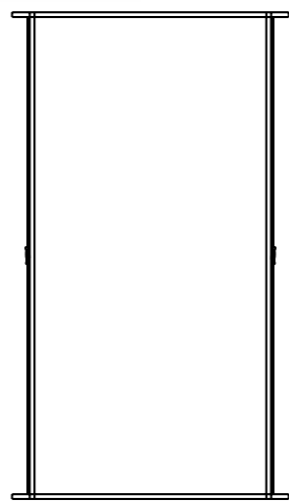
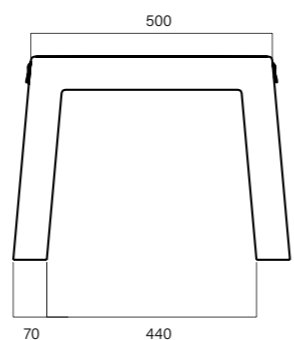
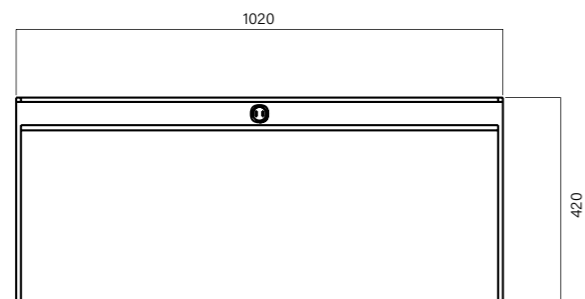


PANCHINA / BENCH

CODE: UL - PNC - 082
DIMENSIONS: L 2020 W 580 H 420
MATERIAL: STEEL

MALL

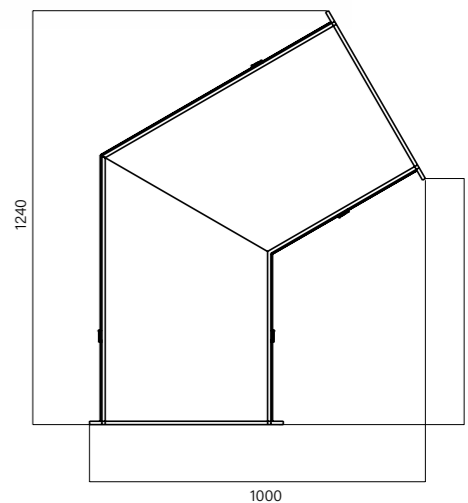
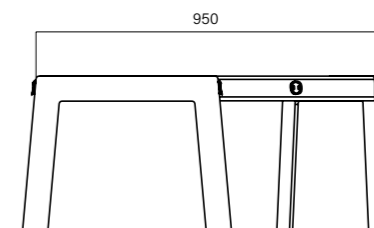
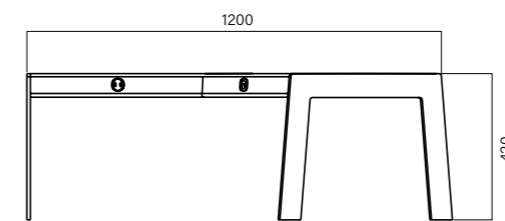
 OPTIONAL USB



TAVOLINO / TABLE

CODE: UL - PNC - TVL1
DIMENSIONS: L 1020 W 500 H 420
MATERIAL: STEEL

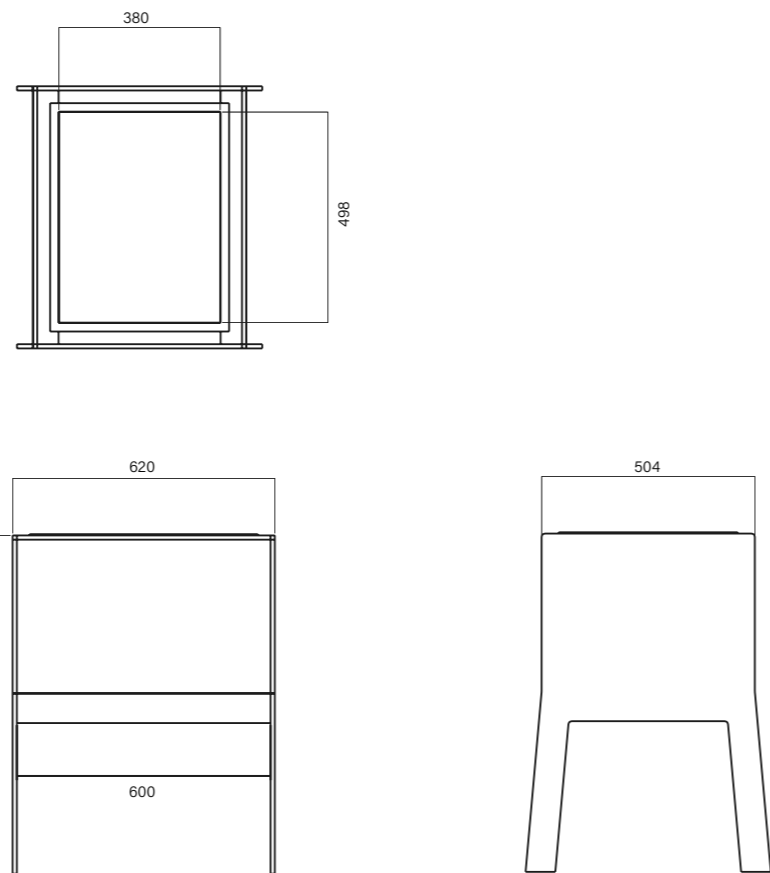
 OPTIONAL USB



TAVOLINO 60 / TABLE 60

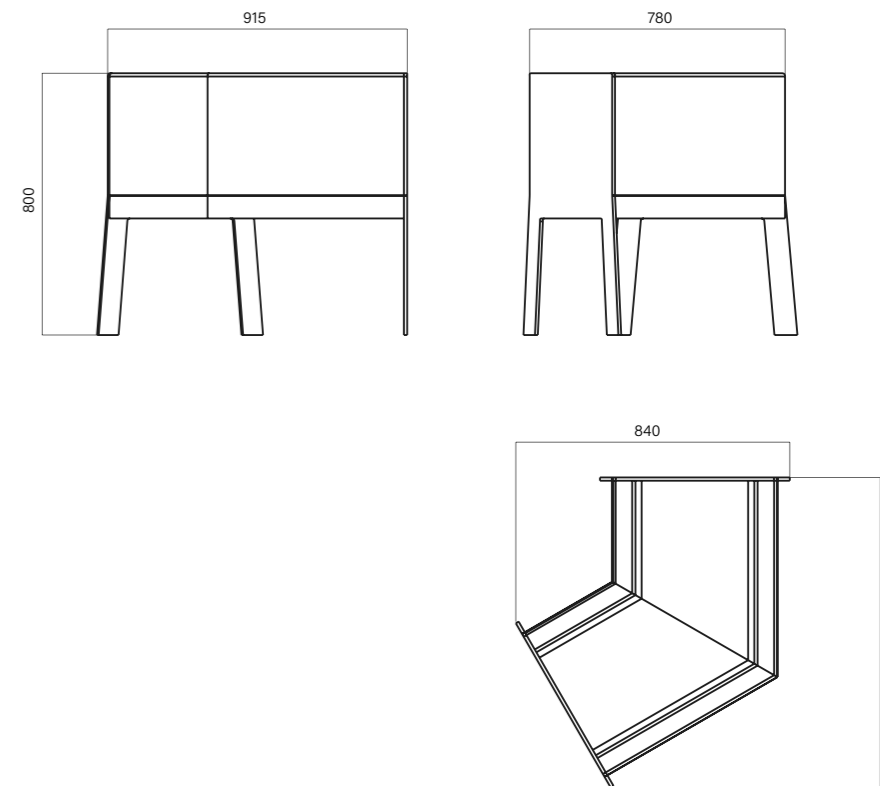
CODE: UL - PNC - TVL2
DIMENSIONS: L 1240 W 1000 H 420
MATERIAL: STEEL

MALL



FIORIERA / PLANTER

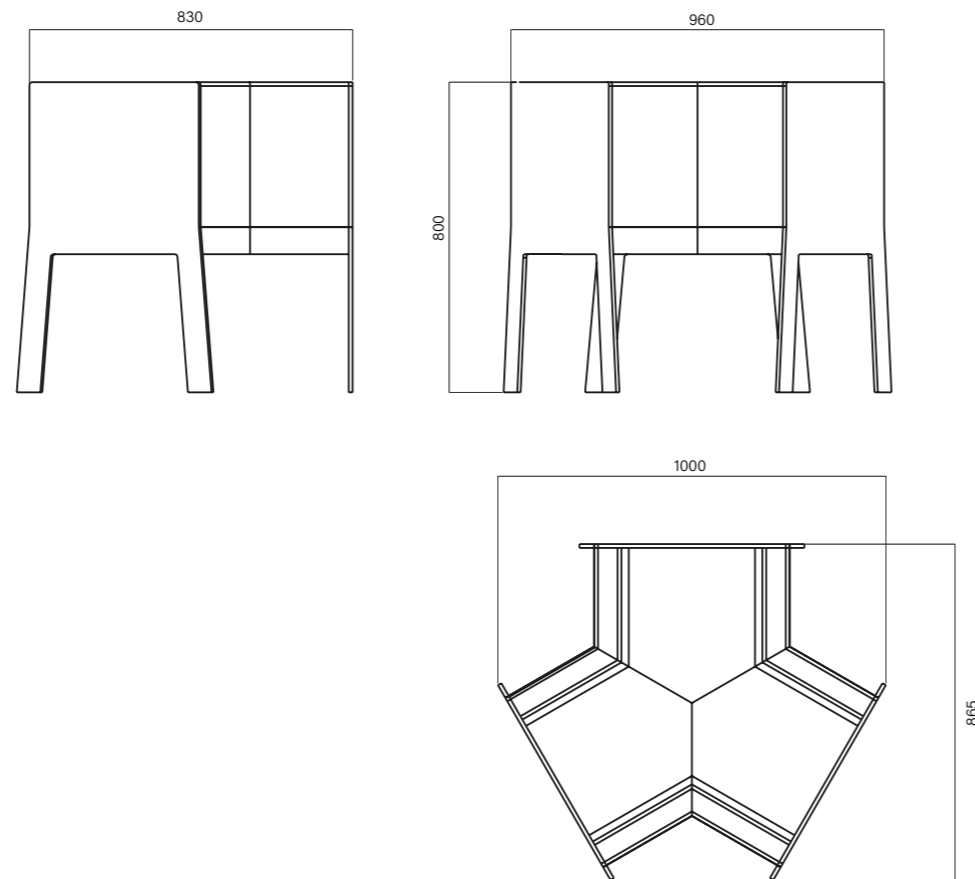
CODE: UL - PNC - FRR84
DIMENSIONS: L 620 W 504 H 800
MATERIAL: STEEL



FIORIERA 60 / PLANTER 60

CODE: UL - PNC - FRR85
DIMENSIONS: L 950 W 840 H 800
MATERIAL: STEEL

MALL



FIORIERA 3 VIE / PLANTER 3 VIE

CODE: UL - PNC - FRR86
DIMENSIONS: L 1000 W 865 H 800
MATERIAL: STEEL



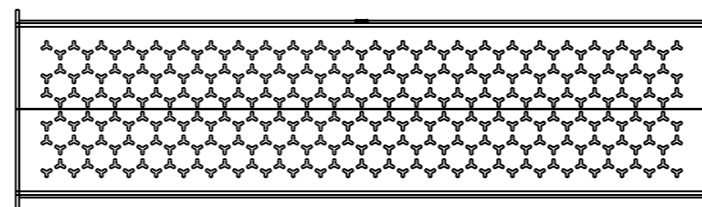
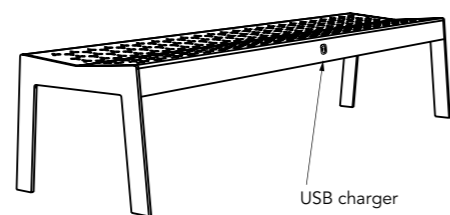
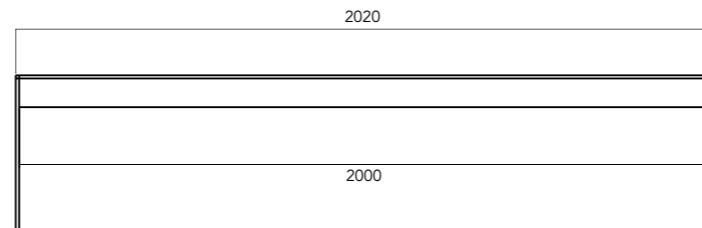
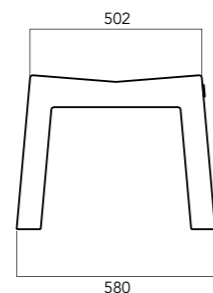
MALLELES

MALL COLLECTION



MALL ELES

 OPTIONAL USB

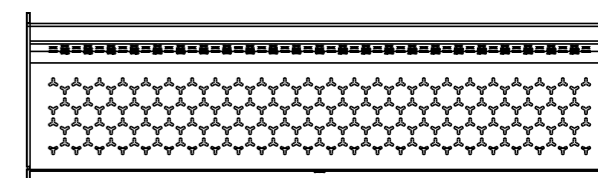
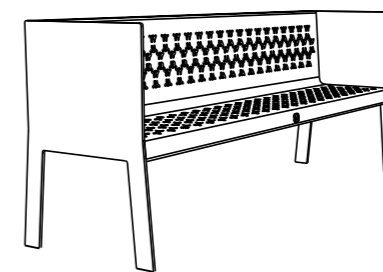
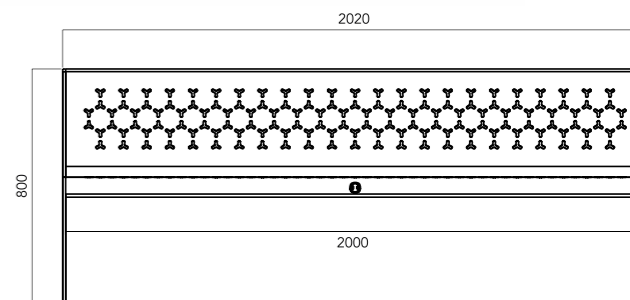
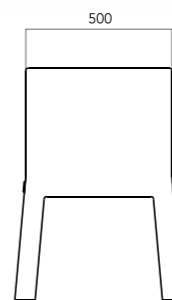


PANCA / SEAT

CODE: UL-PNC-082 EL
 DIMENSIONS: L 2020 P 580 H 420
 MATERIAL: STEEL



 OPTIONAL USB



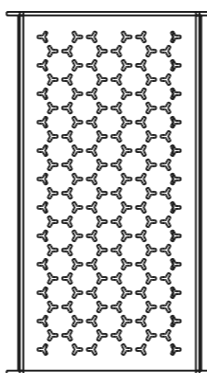
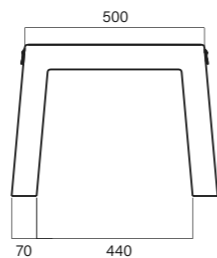
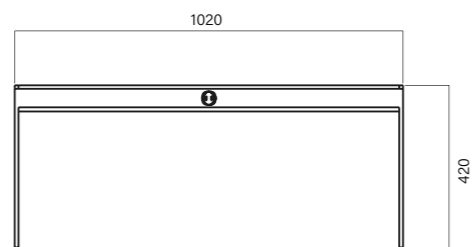
PANCHINA / BENCH

CODE: UL-PNC-081 EL
 DIMENSIONS: L 2020 P 500 H 800
 MATERIAL: STEEL



MALL ELES

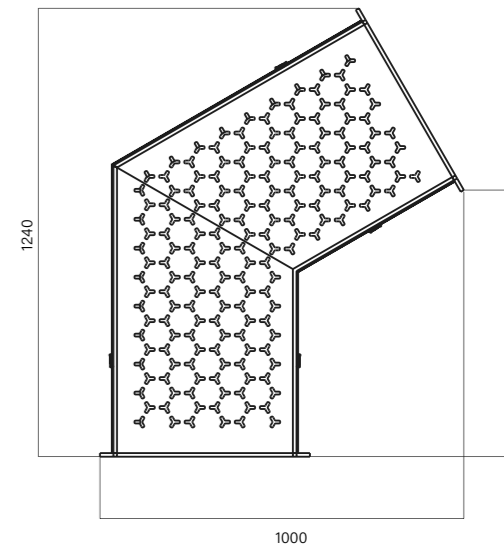
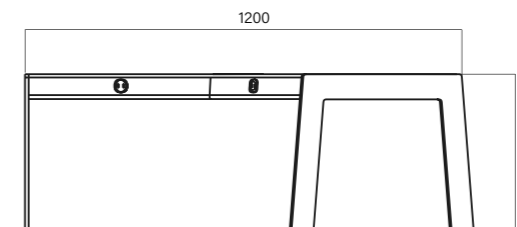
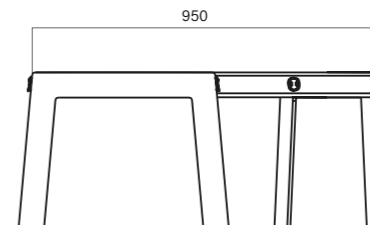
 OPTIONAL USB



TAVOLINO / TABLE

CODE: UL - PNC - TVL1
 DIMENSIONS: L 1020 P 500 H 420
 MATERIAL: STEEL

 OPTIONAL USB



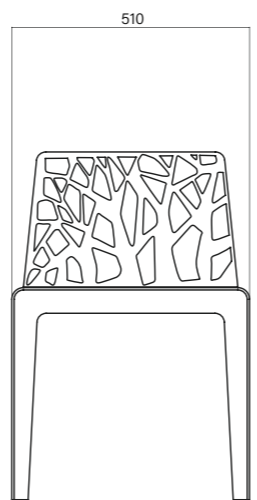
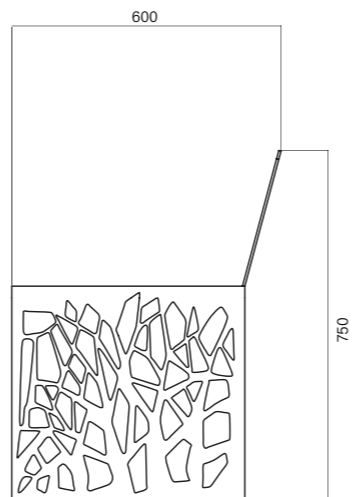
TAVOLINO 60 / TAVOLINO 60

CODE: UL - PNC - TVL2
 DIMENSIONS: L 1240 P 1000 H 420
 MATERIAL: STEEL

3

RAMAGE COLLECTION

RAMAGE

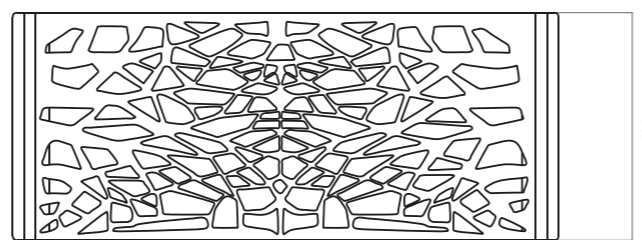
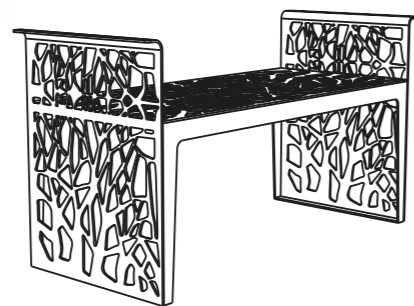
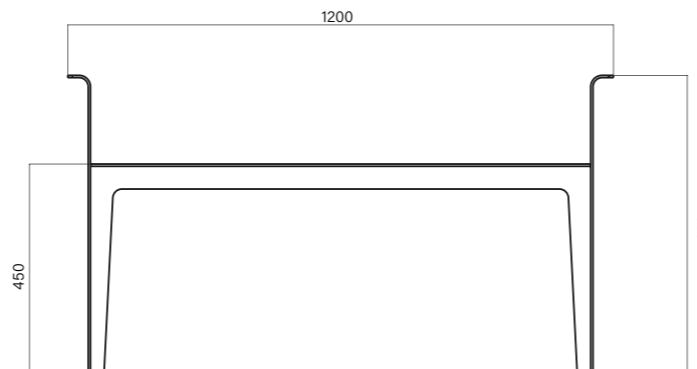
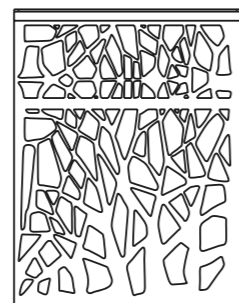


SEDIA / CHAIR

CODE: UL - PNC - 85
DIMENSIONS: L 510 P 600 H 750
MATERIAL: STEEL

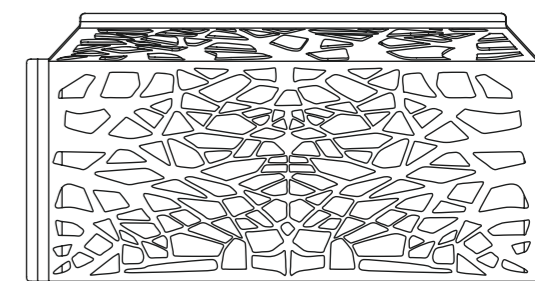
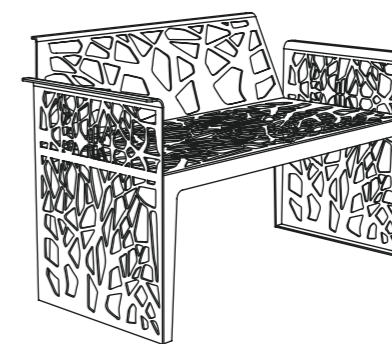
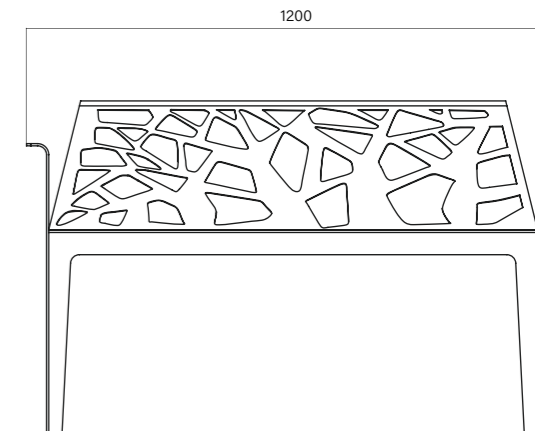
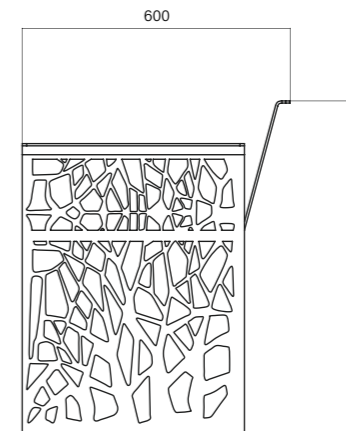


RAMAGE



PANCA / SEAT

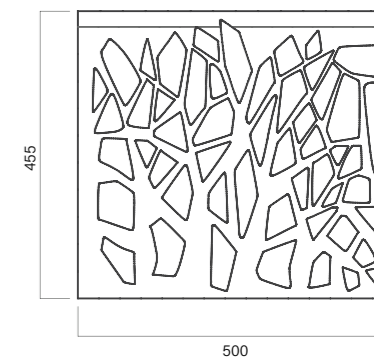
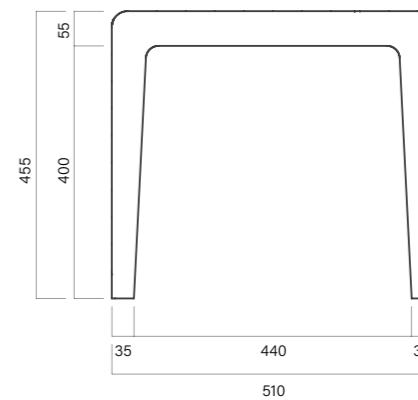
CODE: UL - PNC - 84
DIMENSIONS: L 1200 P 500 H 650
MATERIAL: STEEL



PANCHINA / BENCH

CODE: UL - PNC - 83
DIMENSIONS: L 1200 P 600 H 750
MATERIAL: STEEL

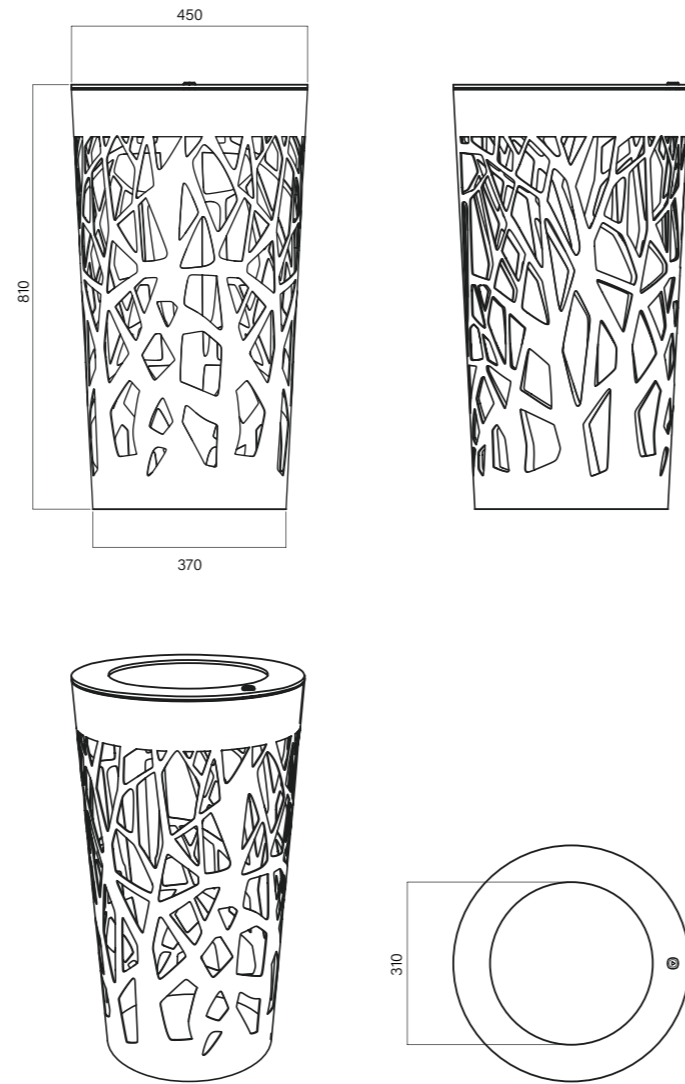
RAMAGE



TAVOLINO / TABLE

CODE: UL - TVL - 03
DIMENSIONS: L 500 P 455 H 455
MATERIAL: STEEL

RAMAGE



CESTINO / LITTER BIN

CODE: UL - CST - 86
DIMENSIONS: L 450 H 810 Ø 450
MATERIAL: STEEL



RAMAGE

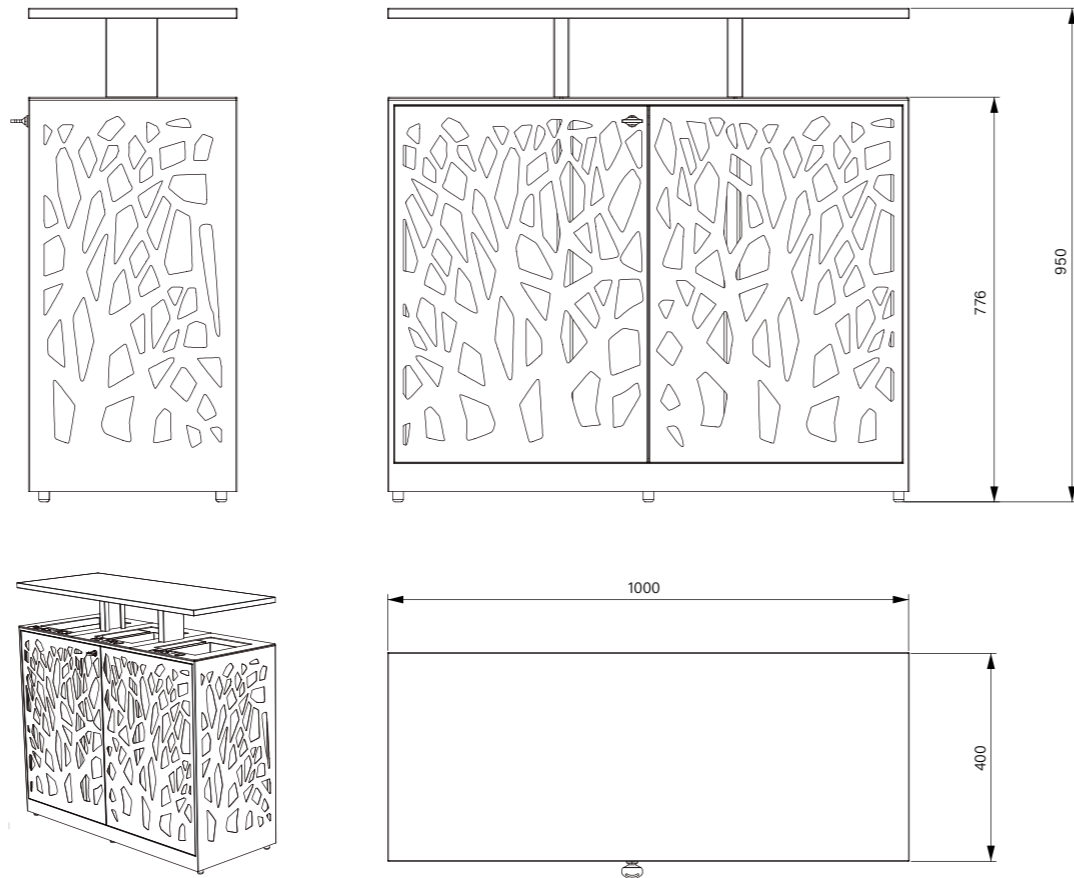
TRIO

TT OPTIONAL COPERTURA PIOGGIA



CESTINO / LITTER BIN

CODE: UL - CST - 8600
DIMENSIONS: L 1000 H 776 P 400
MATERIAL: STEEL





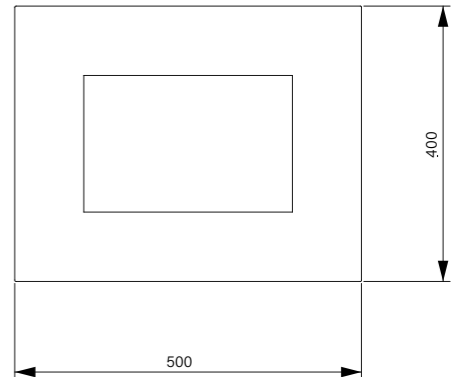
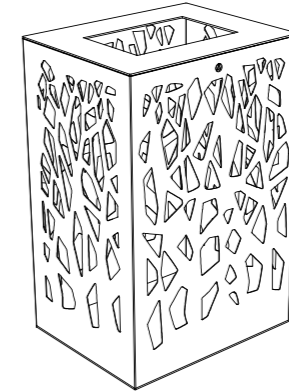
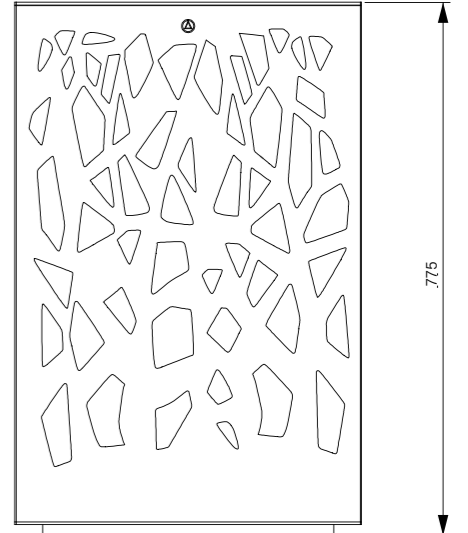
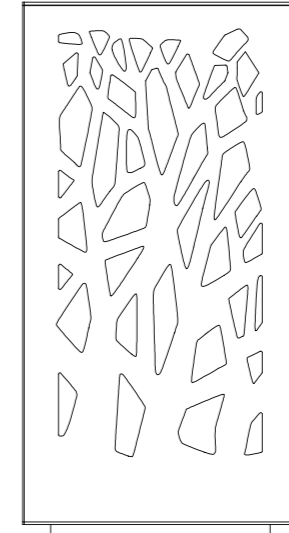
RAMAGE

SQUARE



CESTINO / LITTER BIN

CODE: UL - CST - 8650
DIMENSIONS: L 500 P 400 H 775
MATERIAL: STEEL



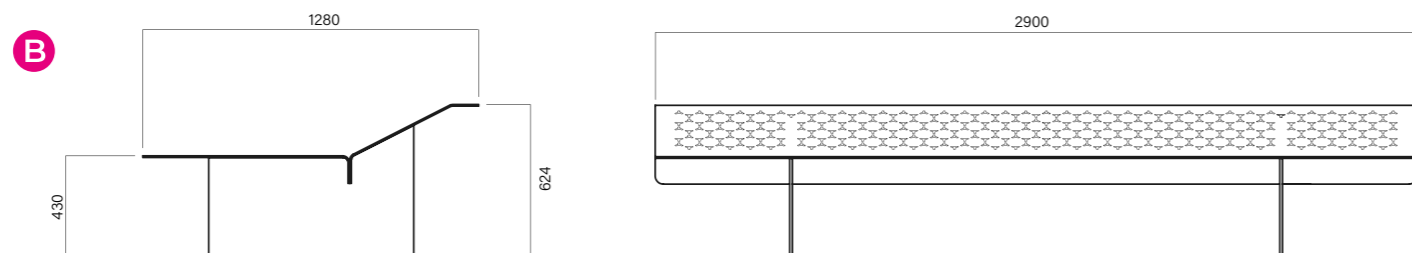
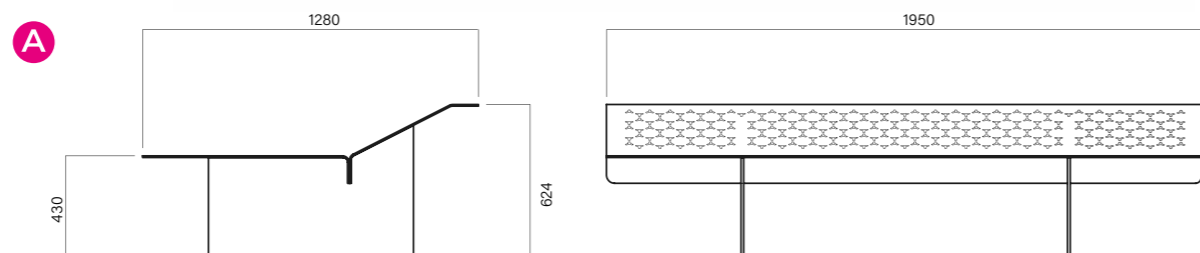


ELES COLLECTION

DESIGNED BY RAMOS BASSOLS



ELES



CHAISE LONGUE

CODE A: UL - PNC - 076 (*)
CODE B: UL - PNC - 077 (*)
DIMENSIONS A: L 1950 P 1280 H 624
DIMENSIONS B: L 2900 P 1280 H 624
MATERIAL: STEEL

* DA CEMENTARE / TO BE CEMENTED:

CODE A: UL - PNC - 076S
CODE B: UL - PNC - 077S
DIMENSIONS A: L 1950 P 1280 H 774
DIMENSIONS B: L 2900 P 1280 H 774



ELES

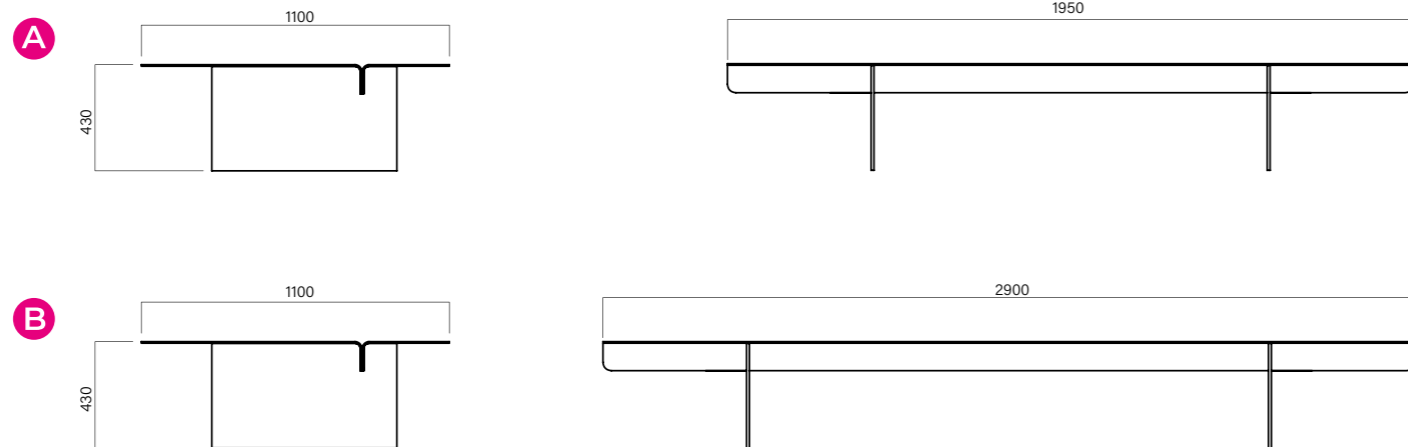


PANCA / SEAT

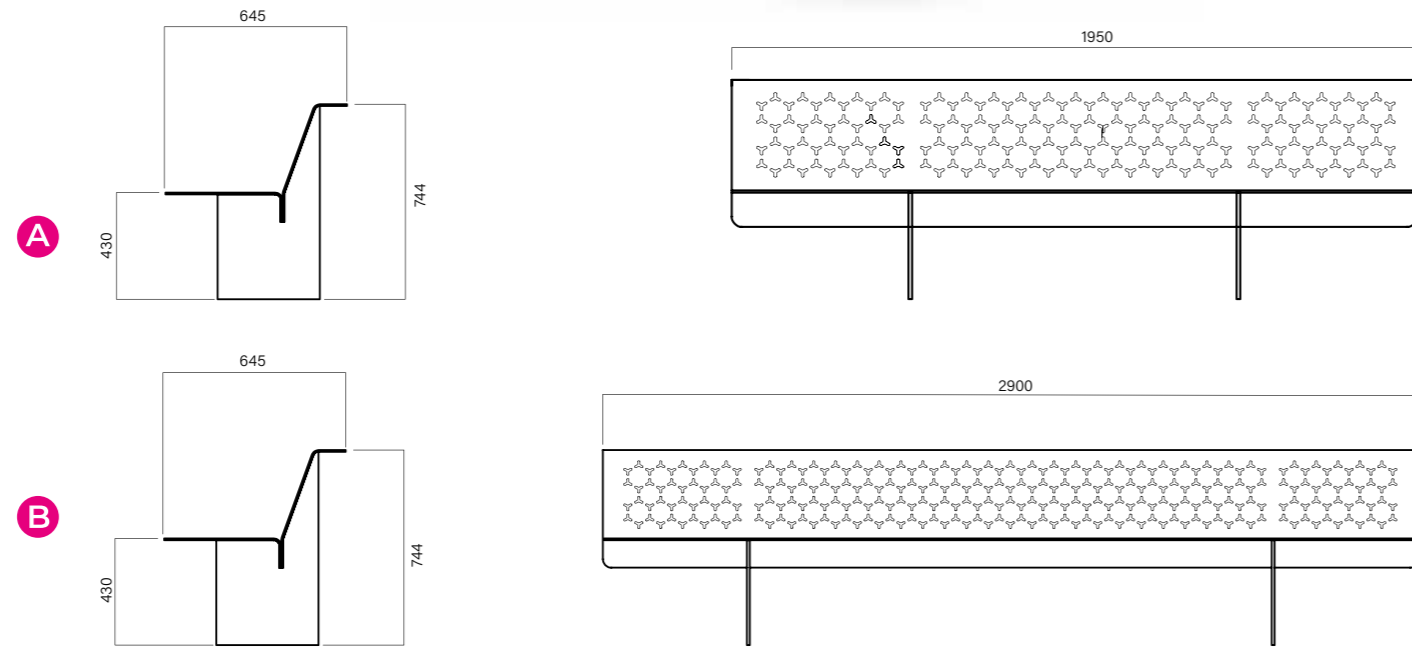
CODE **A**: UL - PNC - 074 (*)
CODE **B**: UL - PNC - 075 (*)
DIMENSIONS **A**: L 1950 P 1100 H 430
DIMENSIONS **B**: L 2900 P 1100 H 430
MATERIAL: STEEL

* DA CEMENTARE / TO BE CEMENTED:

CODE **A**: UL - PNC - 074S
CODE **B**: UL - PNC - 075S
DIMENSIONS **A**: L 1950 P 1100 H 430
DIMENSIONS **B**: L 2900 P 1100 H 430



ELES



PANCHINA / BENCH

CODE A: UL - PNC - 070 (*)
CODE B: UL - PNC - 071 (*)
DIMENSIONS A: L 1950 P 645 H 744
DIMENSIONS B: L 2900 P 645 H 744
MATERIAL: STEEL

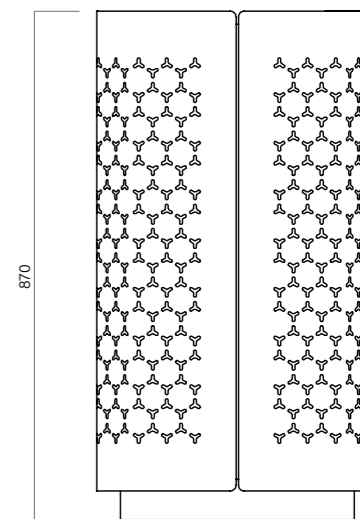
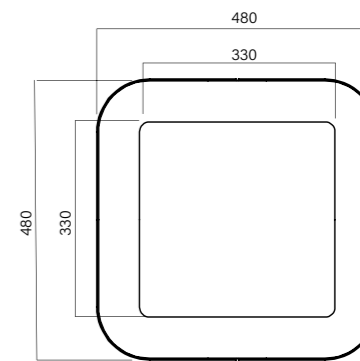
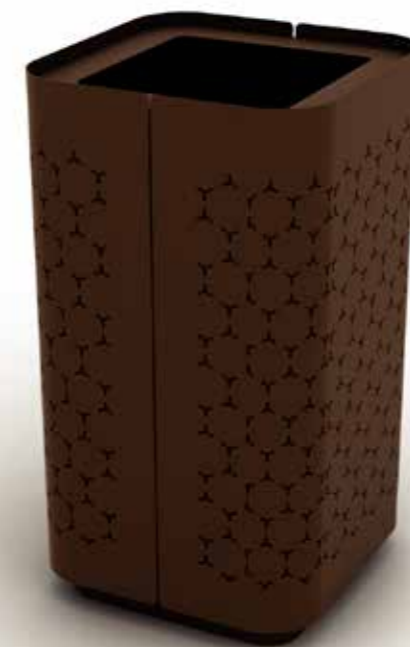
* DA CEMENTARE / TO BE CEMENTED:

CODE A: UL - PNC - 070S
CODE B: UL - PNC - 071S
DIMENSIONS A: L 1950 P 1100 H 894
DIMENSIONS B: L 2900 P 1100 H 894





ELES



CESTINO / LITTER BIN

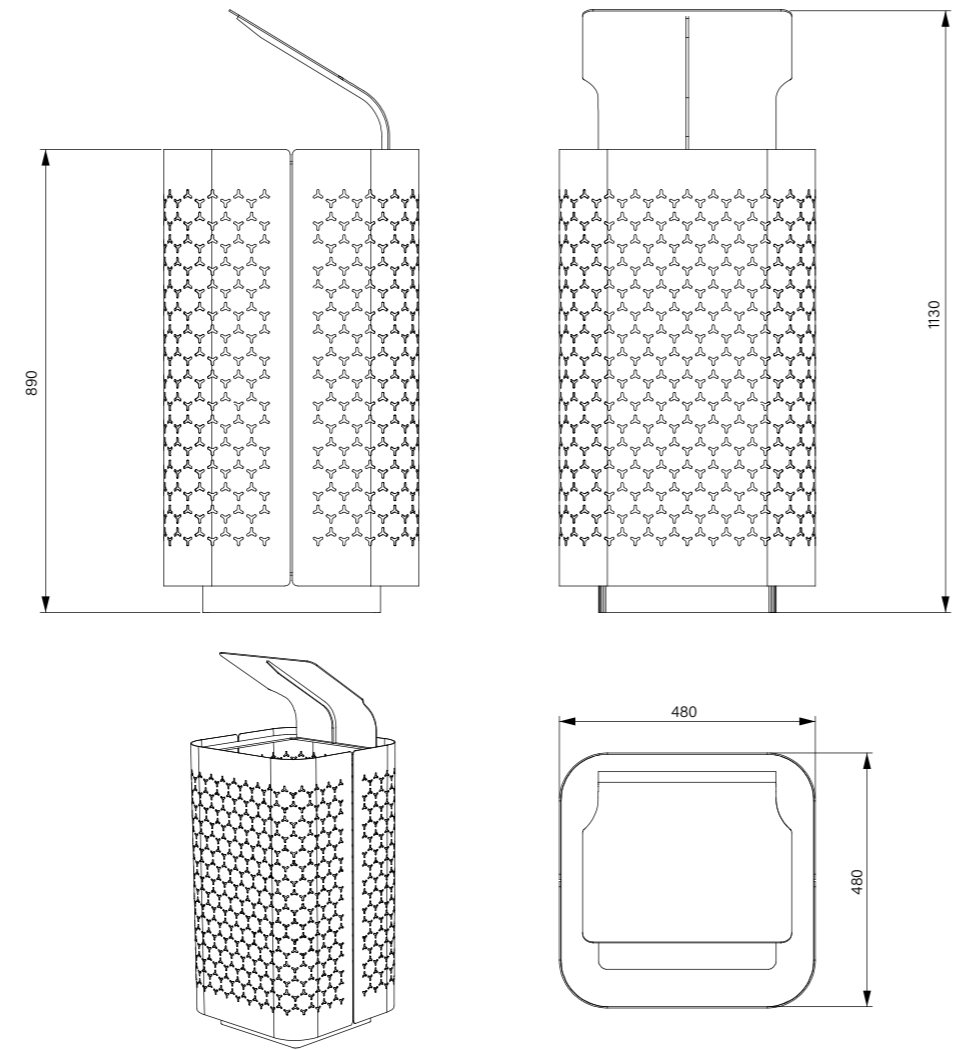
CODE: UL - CST - 033
DIMENSIONS: L 480 P 480 H 870
MATERIAL: STEEL

BARDOLINO



CESTINO / LITTER BIN

CODE: UL - CST - 3000
DIMENSIONS: L 480 P 480 H 1130
MATERIAL: STEEL



5

CHARM COLLECTION

CHARM

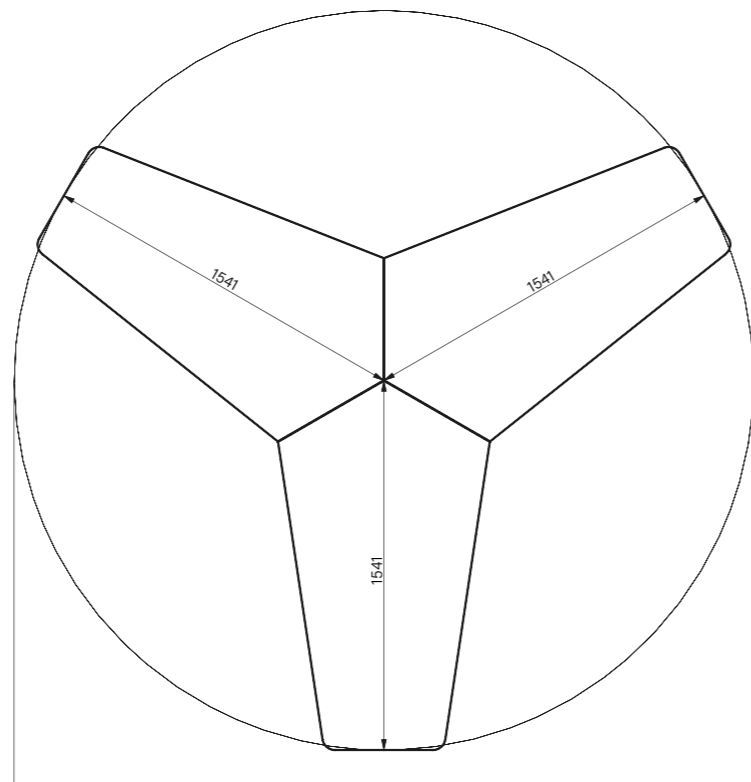
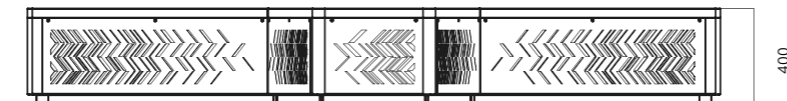
 **OPTIONAL** LUCE LED / LED LIGHT

 **OPTIONAL** USB

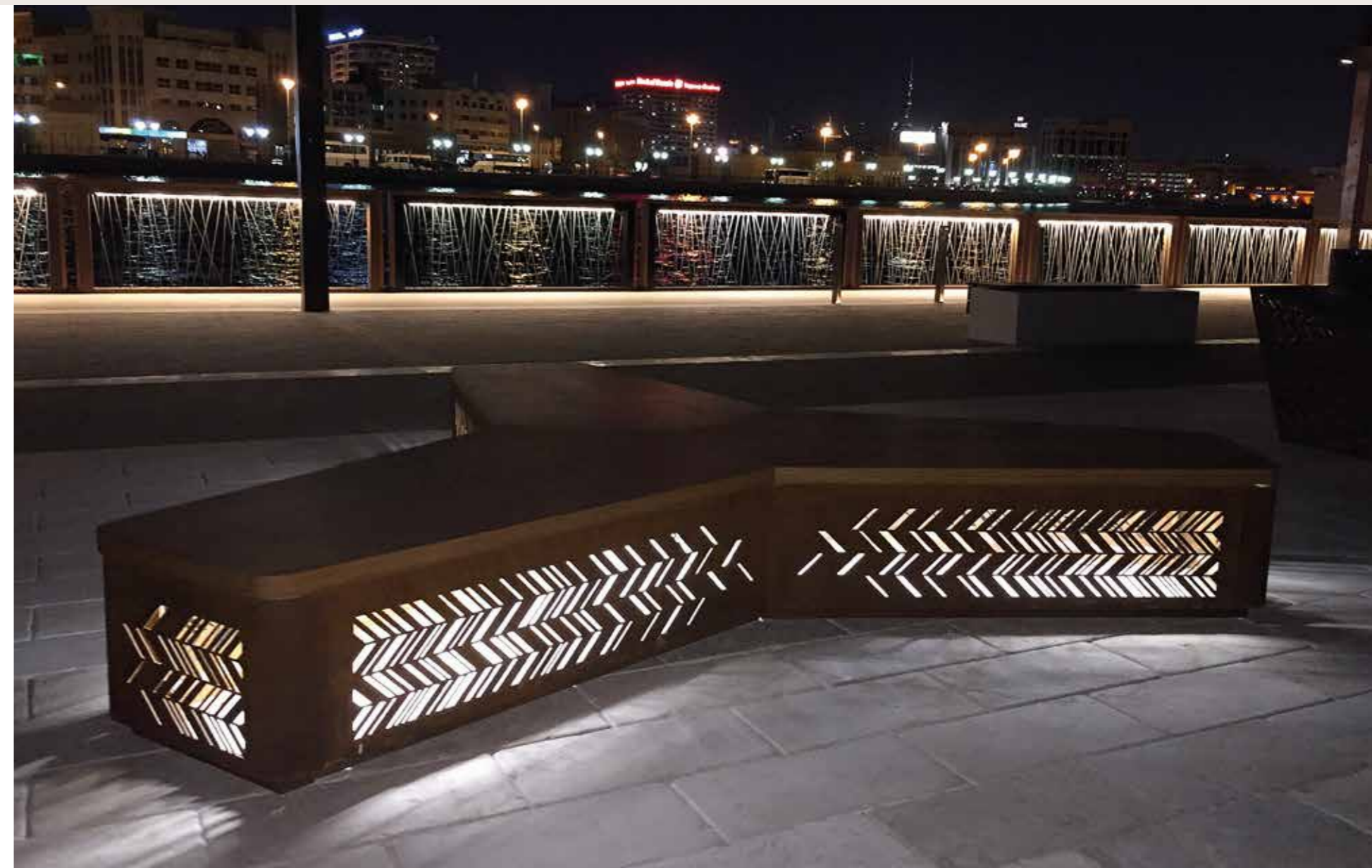


PANCA / SEAT

CODE: UL - PNC - 079
DIMENSIONS: Ø 3082 H 400
MATERIAL: STEEL



Ø 3082

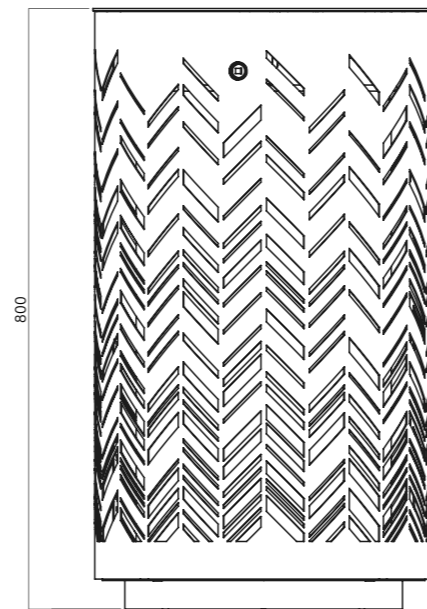
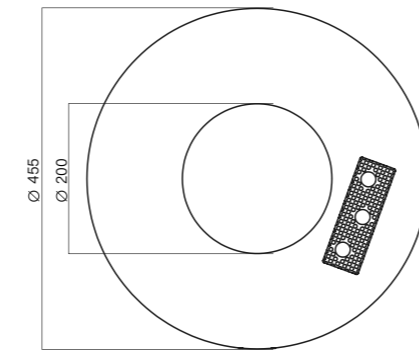


CHARM



CESTINO / LITTER BIN

CODE: UL - CST - 034
 DIMENSIONS: Ø 455 H 800
 CAPACITY: 80 LT
 MATERIAL: STEEL



CHARM

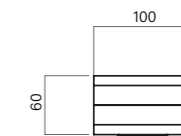
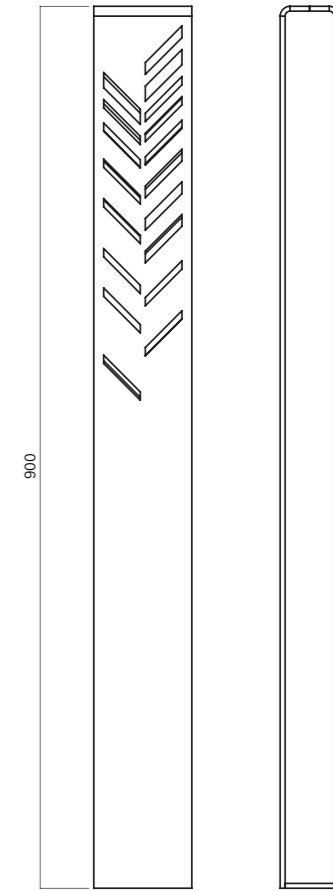


OPTIONAL LUCE LED / LED LIGHT



DISSUASORE / BOLLARD

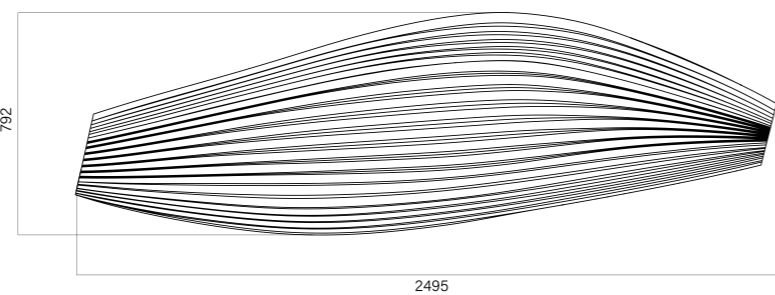
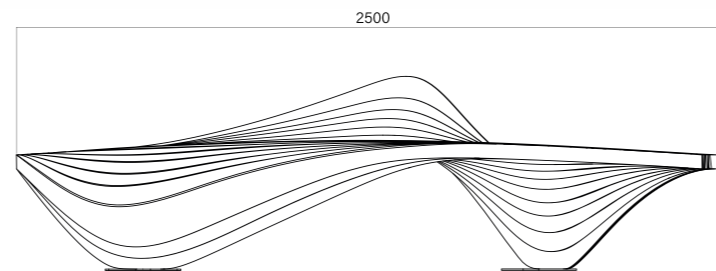
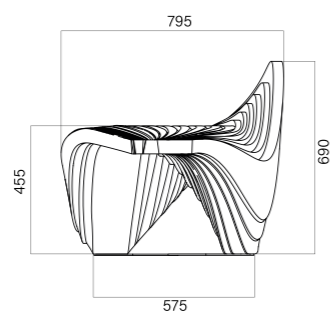
CODE: UL - DSR - 011
 DIMENSIONS: L 100 P 60 H 900
 MATERIAL: STEEL





UHPC - CONCRETE PRODUCTS

SERAC



DESIGNED BY ZAHA HADID DESIGN

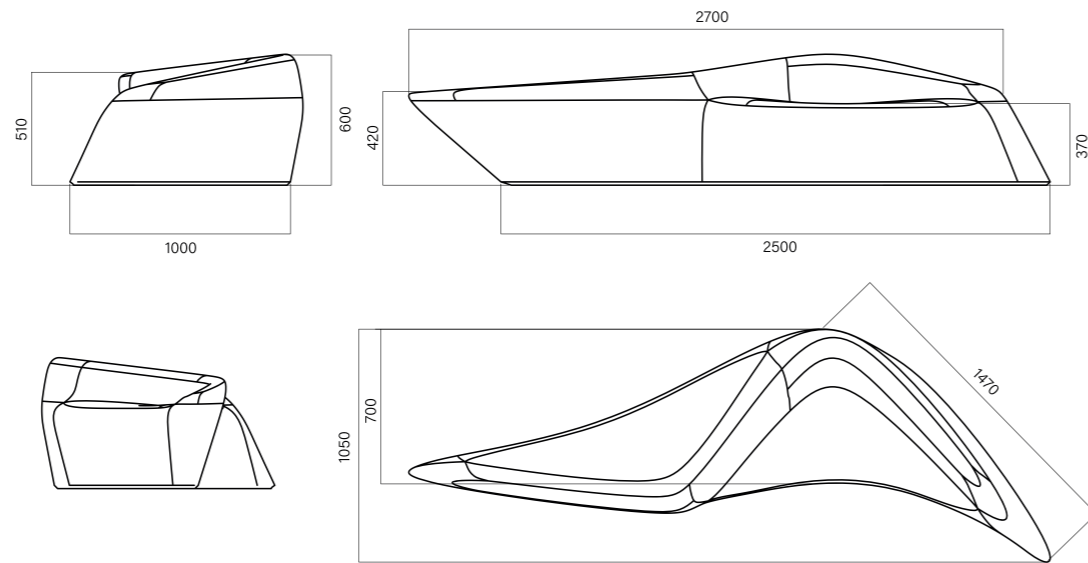
PANCHINA / BENCH

CODE: UL - PNC - 101
DIMENSIONS: L 2500 W 795 H 690
MATERIAL: UHPC - CONCRETE



CL BENCH

DOUBLE



DESIGNED BY ZAHA HADID DESIGN

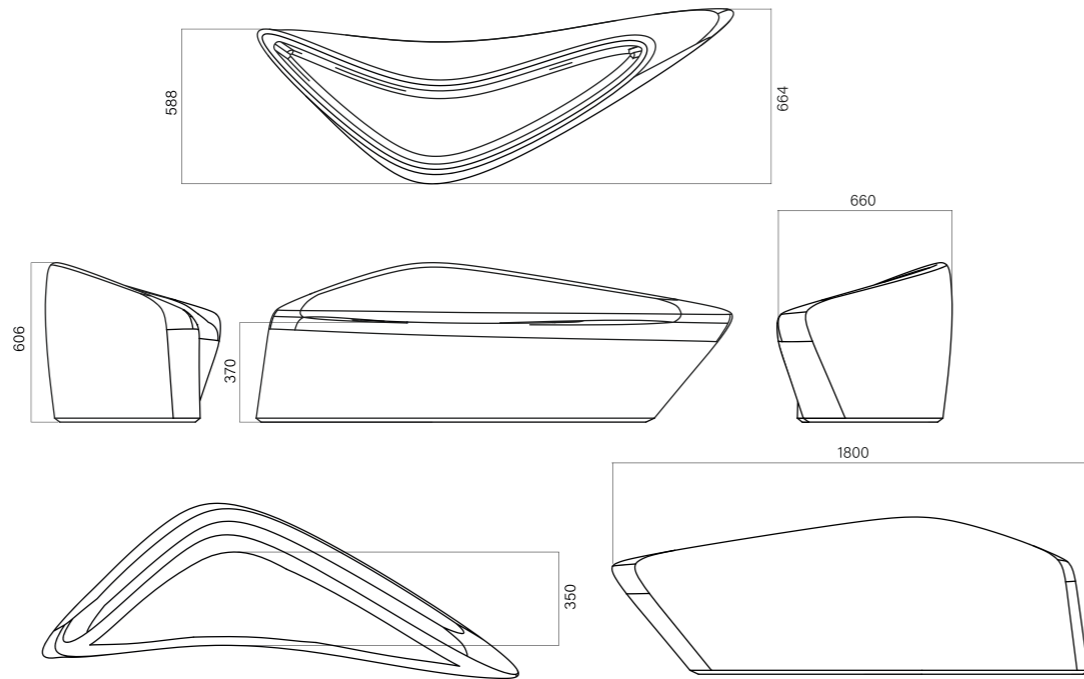
PANCHINA / BENCH

CODE: UL - PNC - 103
DIMENSIONS: L 2700 W 1000 H 600
MATERIAL: UHPC - CONCRETE



CL BENCH

SINGLE



DESIGNED BY ZAHA HADID DESIGN

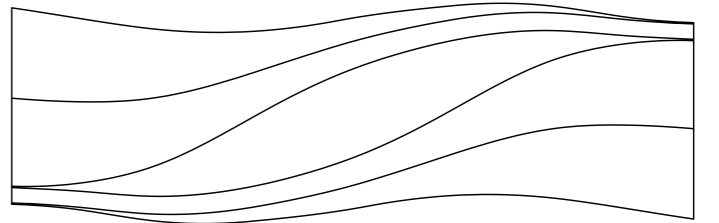
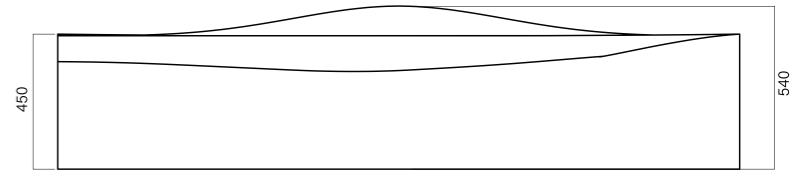
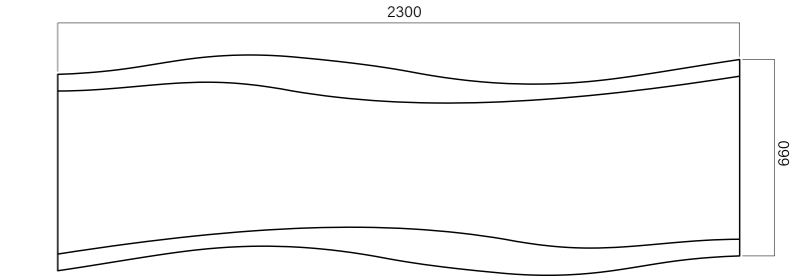
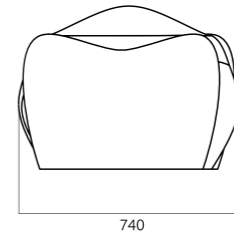
PANCHINA / BENCH

CODE: UL - PNC - 102
 DIMENSIONS: L 1800 W 660 H 606
 MATERIAL: UHPC - CONCRETE





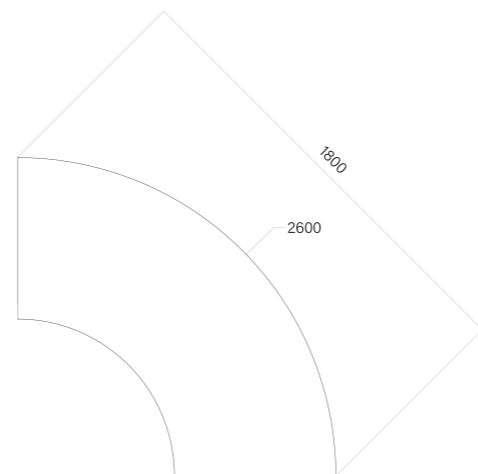
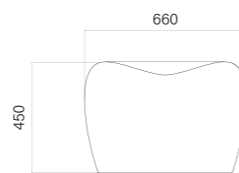
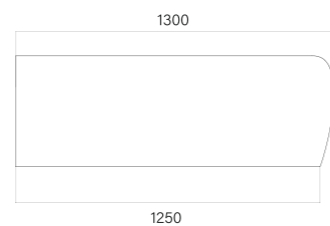
DUNE



PANCA / SEAT

CODE: UL - PNC - 104
DIMENSIONS: L 2300 W 740 H 540
MATERIAL: UHPC - CONCRETE

DUNE CURVE

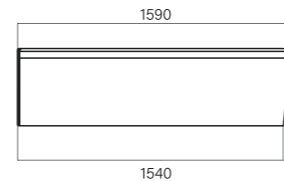
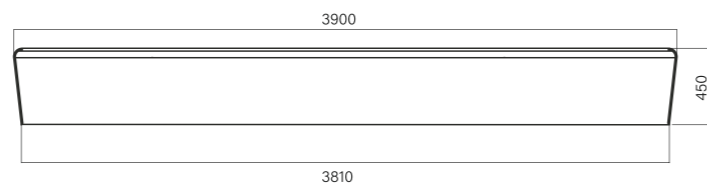
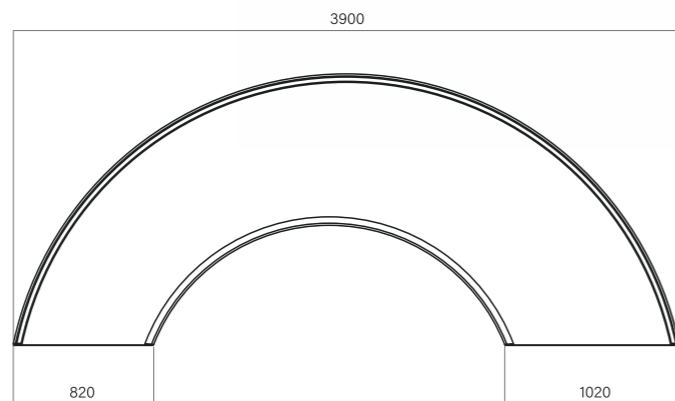


PANCA / SEAT

CODE: UL - PNC - 105
DIMENSIONS: L 1300 W 660 H 450
MATERIAL: UHPC - CONCRETE



SEAT PLANTER

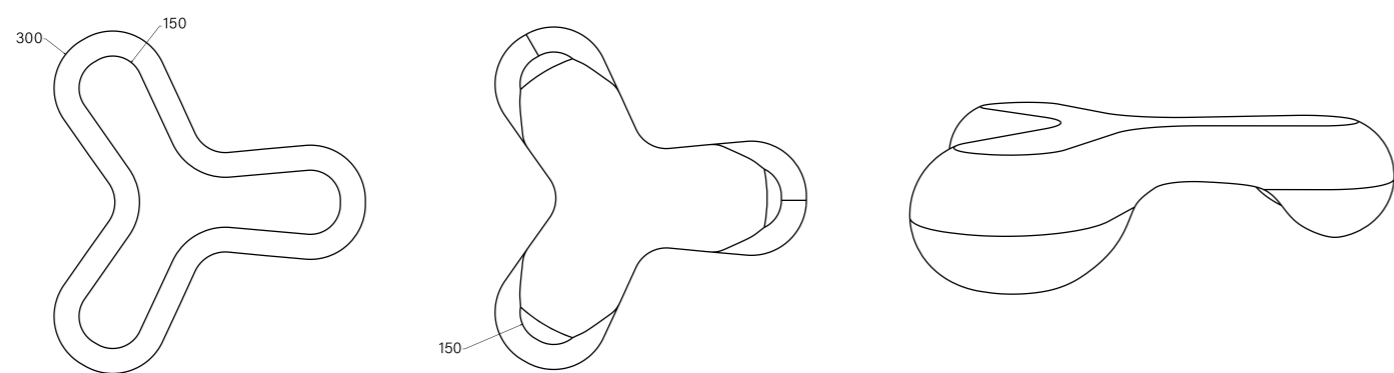
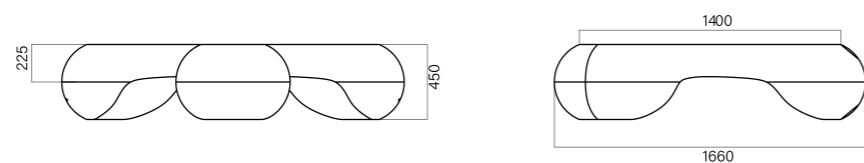


PANCA / SEAT

CODE **DX**: UL - PNC - 106DX
 CODE **SX**: UL - PNC - 106SX
 DIMENSIONS: D 3900 H 450
 MATERIAL: UHPC - CONCRETE



TRIO



PANCA/SEAT

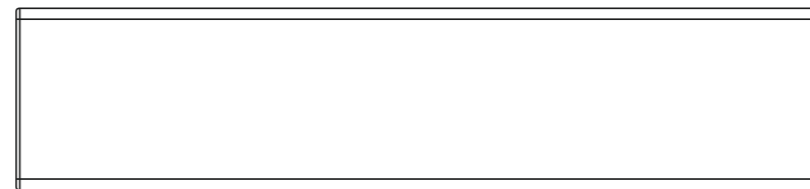
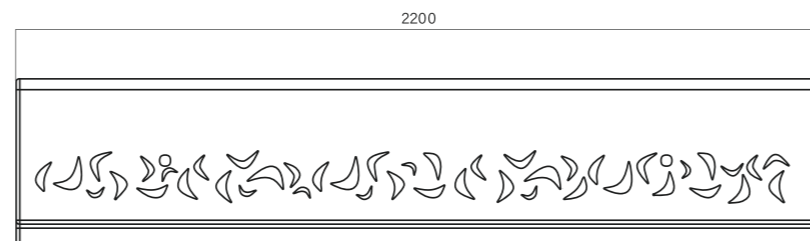
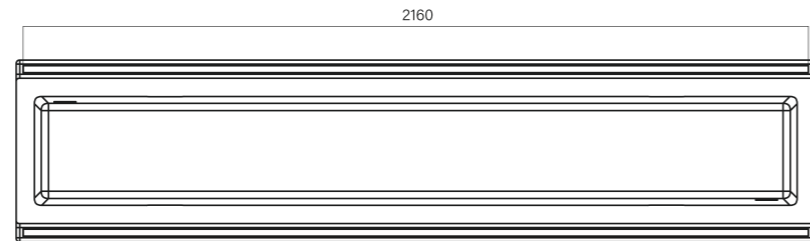
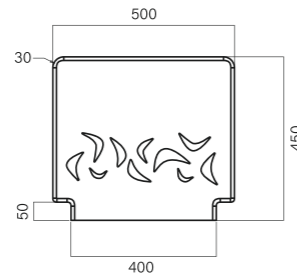
CODE: UL - PNC - 107
DIMENSIONS: D 1660 H 450
MATERIAL: UHPC - CONCRETE



MONOLITHE JJ



OPTIONAL LUCE LED / LED LIGHT



PANCA / SEAT

CODE: UL - PNC - 108
DIMENSIONS: L 220 W 500 H 450
MATERIAL: UHPC - CONCRETE

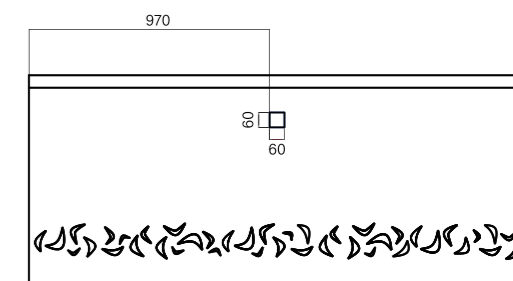
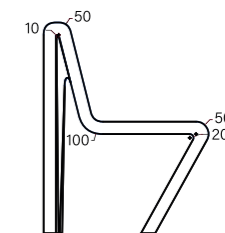
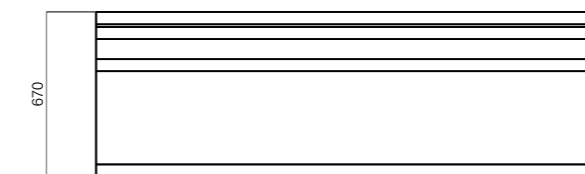
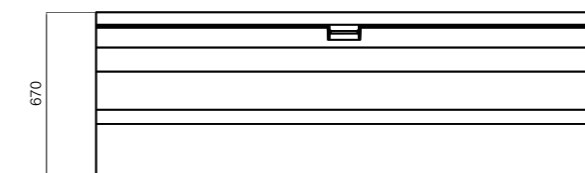


JJ BACK BENCH



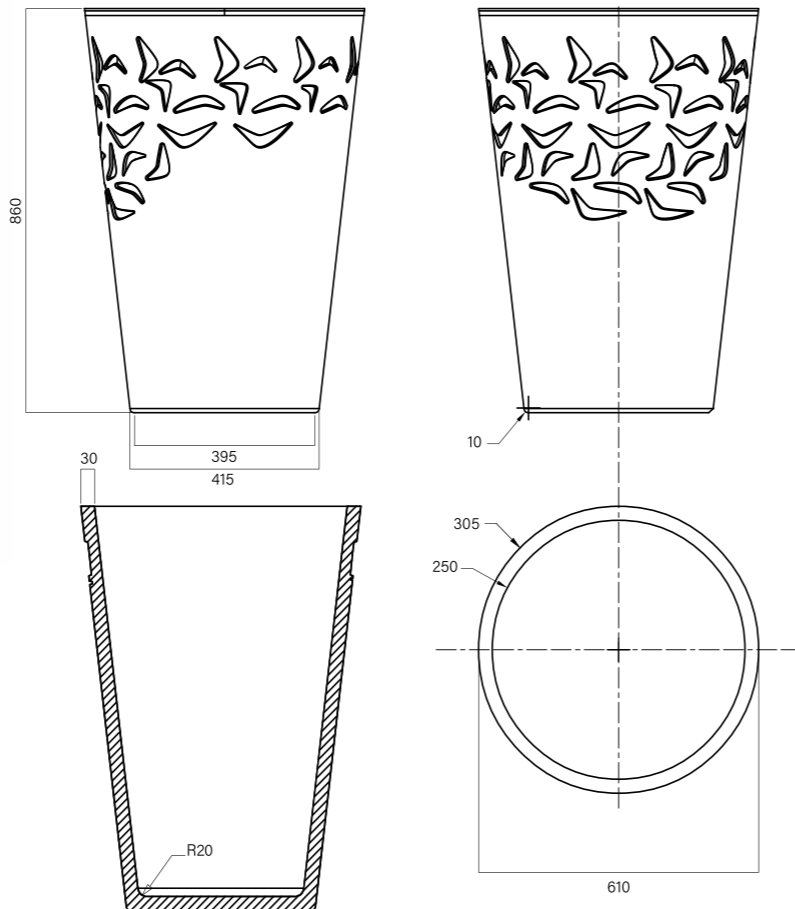
PANCHINA / BENCH

CODE: UL - PNC - 109
DIMENSIONS: L 2000 W 670 H 850
MATERIAL: UHPC - CONCRETE



JJ BIN

 **OPTIONAL** COPERCHIO INOX/ INOX LID



CESTINO / LITTER BIN

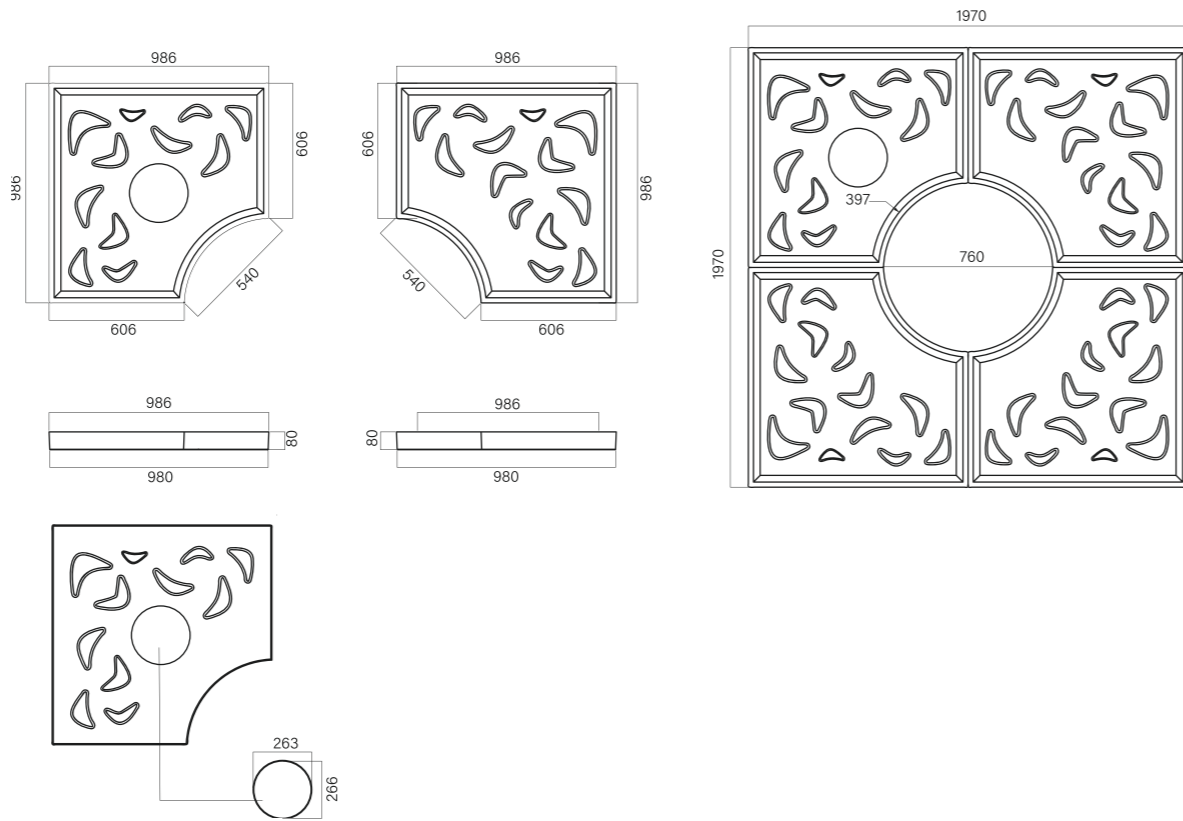
CODE: UL - CST - 110
DIMENSIONS: Ø 610 H 860
MATERIAL: UHPC - CONCRETE





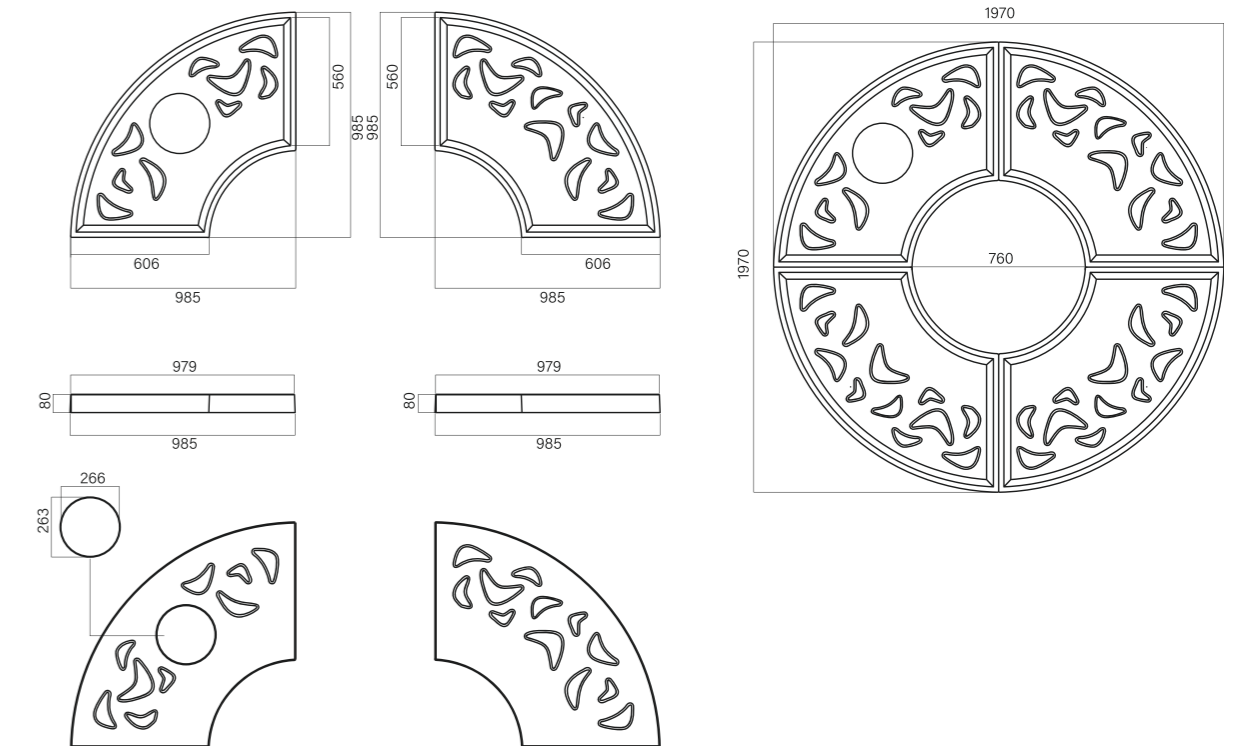
SALVAPIANTA / TREGUARD

CODE: UL - SLP - 111
 DIMENSIONS: L 1970 W 1970 Hole 760
 MATERIAL: UHPC - CONCRETE



SALVAPIANTA / TREGUARD

CODE: UL - SLP - 112
 DIMENSIONS: Ø 1970 Hole 760
 MATERIAL: UHPC - CONCRETE



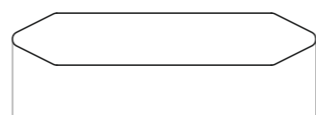
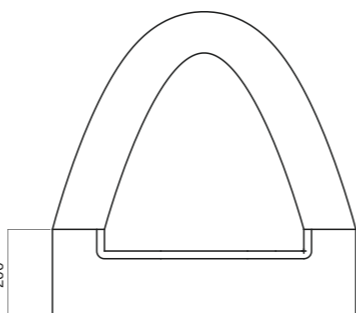
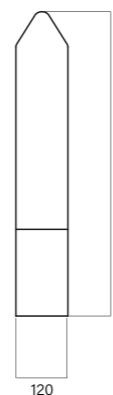
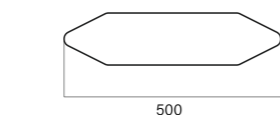
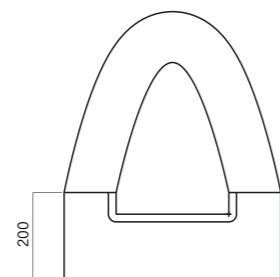
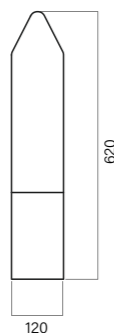
ARCH



A



B

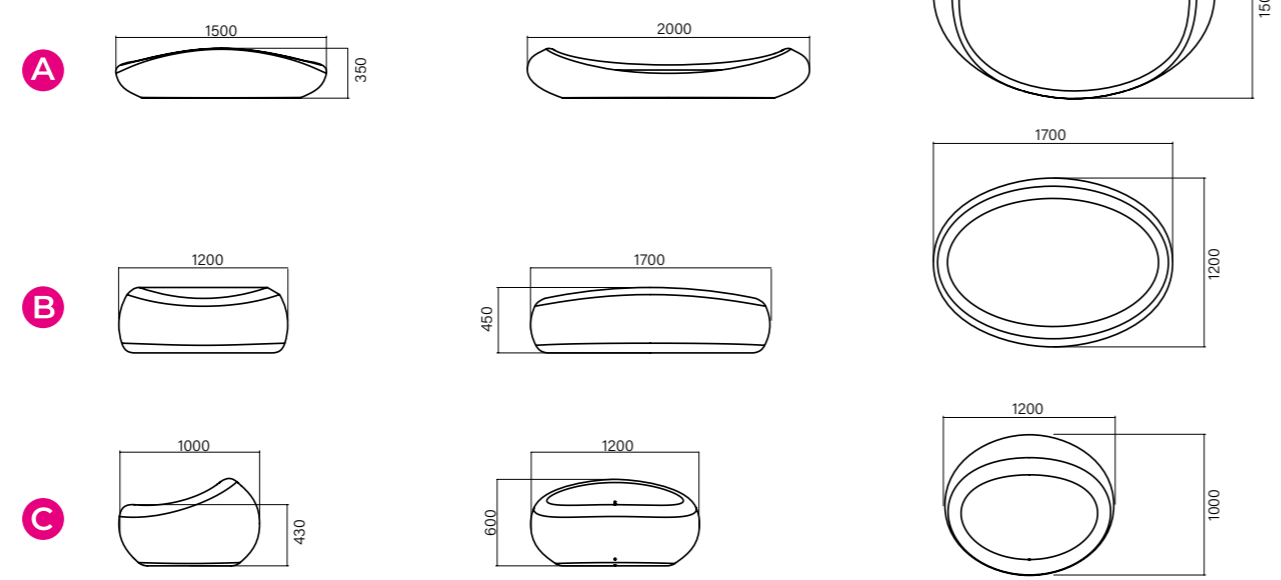


DISSUASORE / BOLLARD

CODE A: UL - DSR - 113B
CODE B: UL - DSR - 113S
DIMENSIONS A: L 500 W 120 H 620
DIMENSIONS B: L 700 W 120 H 700
MATERIAL: UHPC - CONCRETE



PEBBLES

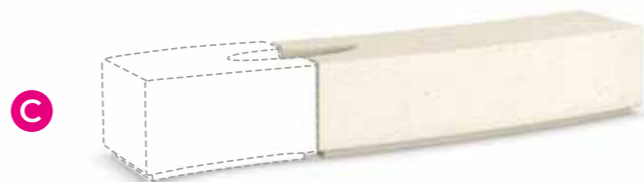
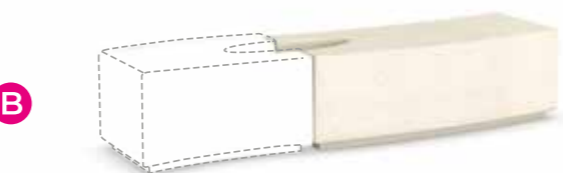
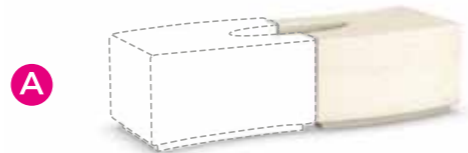


SEDUTE / SEATS

CODE A: UL - PNC - 040
CODE B: UL - PNC - 041
CODE C: UL - PNC - 042
DIMENSIONS A: L 2000 W 1500 H 350
DIMENSIONS B: L 1700 W 1200 H 450
DIMENSIONS C: L 1200 W 1000 H 600
MATERIAL: FIBERS REINFORCED CONCRETE
WEIGHT A: 390 KG
WEIGHT B: 350 KG
WEIGHT C: 430 KG



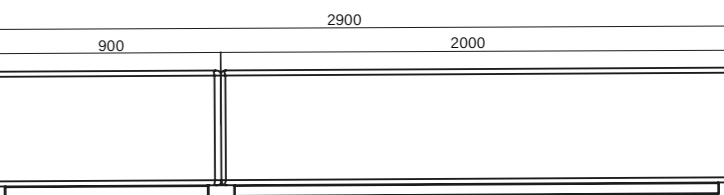
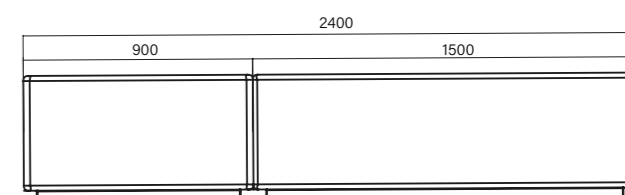
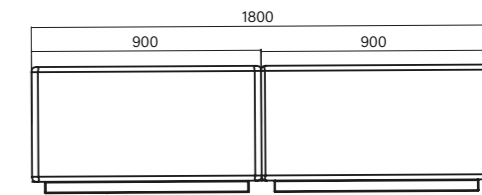
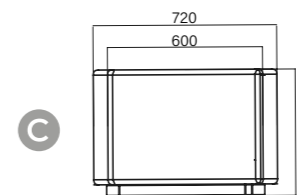
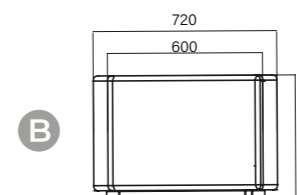
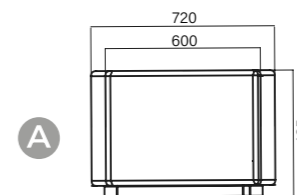
SECTION



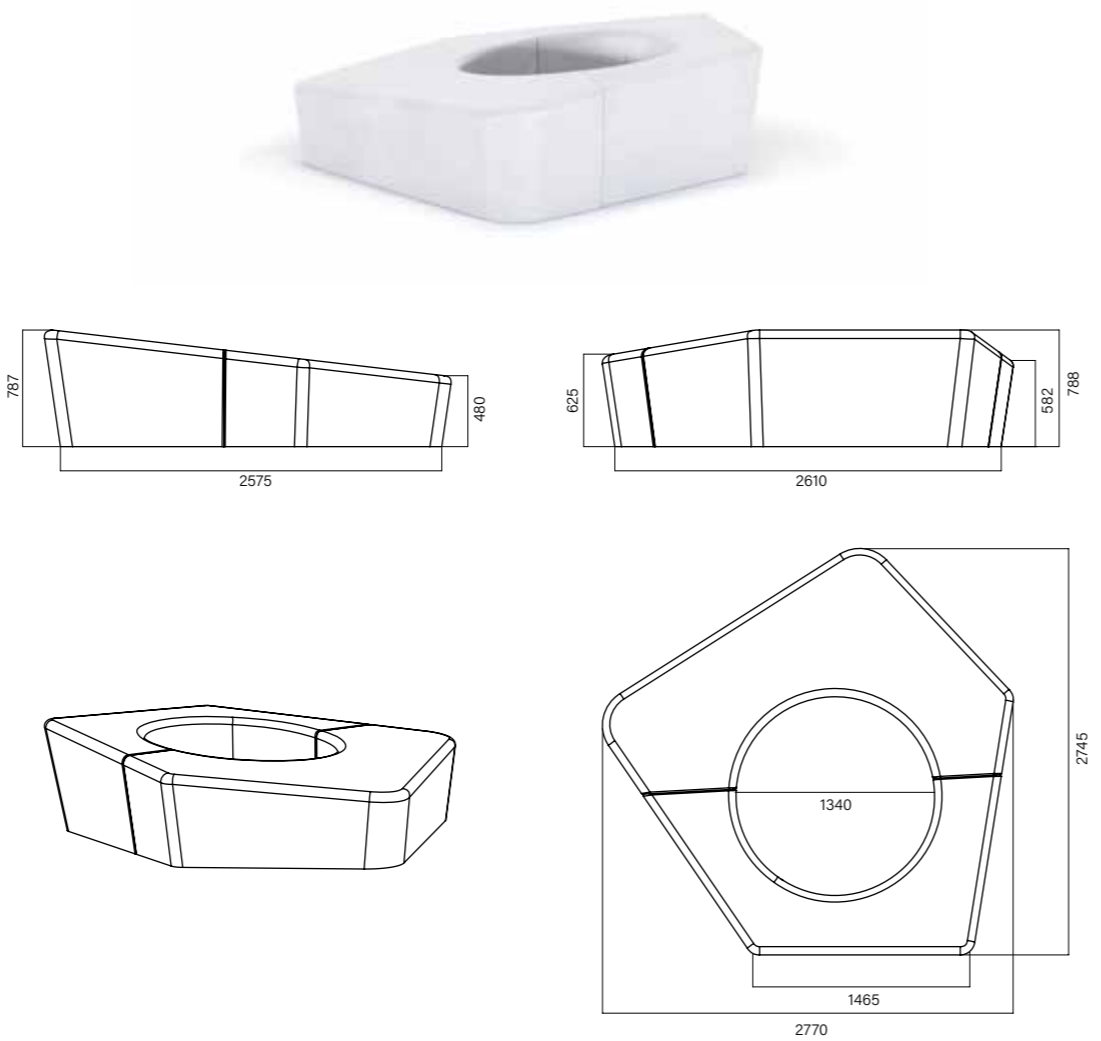
 **OPTIONAL** LUCE LED / LED LIGHT

SEDUTE / SEATS

CODE A: UL - PNC - 046
CODE B: UL - PNC - 047
CODE C: UL - PNC - 048
DIMENSIONS A: L 900 W 720 H 495
DIMENSIONS B: L 1500 W 720 H 495
DIMENSIONS C: L 2000 W 720 H 495
MATERIAL: UHPC - CONCRETE

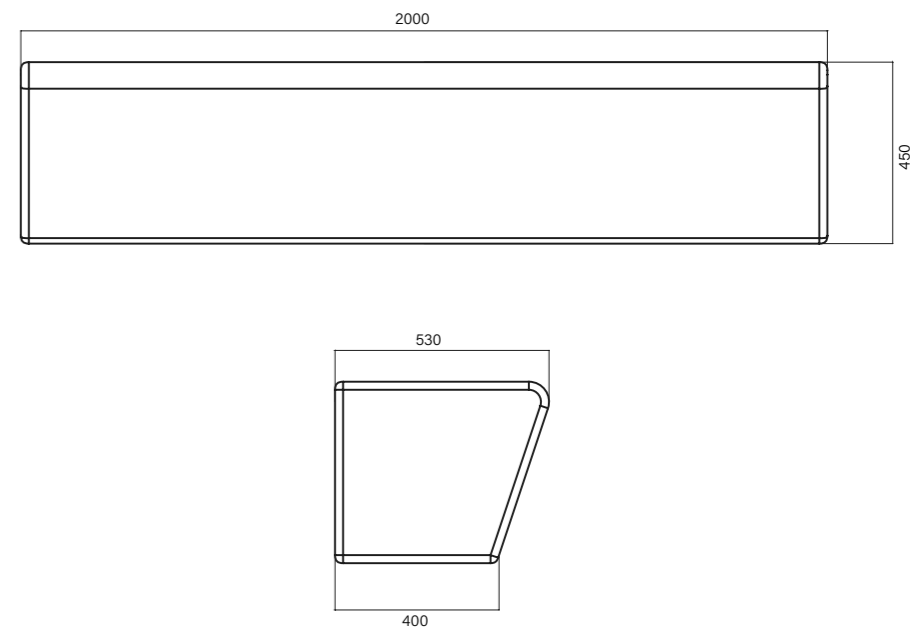


FIVE



FIVE
 CODE: UL - PNC - 98
 DIMENSIONS: L 2575 W 2745 H 788
 MATERIAL: UHPC - CONCRETE

MONOLITHE



PANCA / SEAT
 CODE: UL - PNC - 043
 DIMENSIONS: L 2000 W 530 H 450
 MATERIAL: UHPC - CONCRETE



BEND

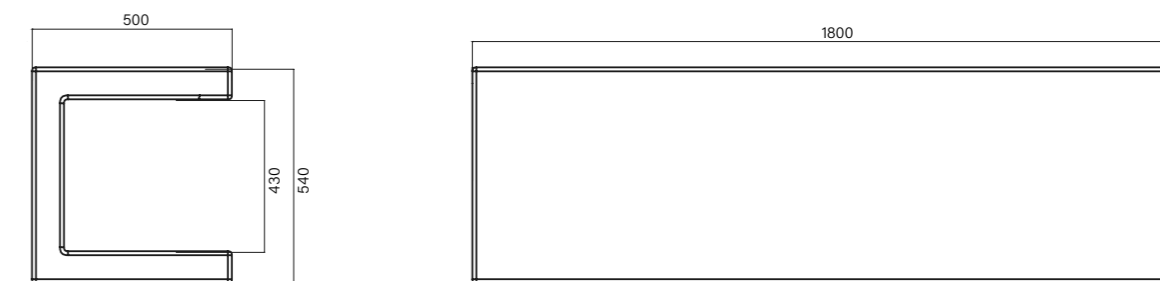
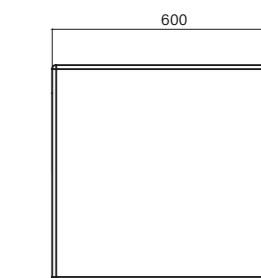
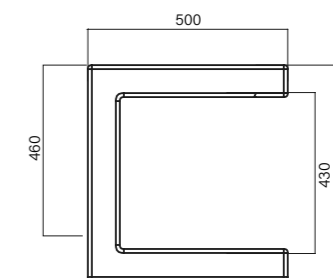
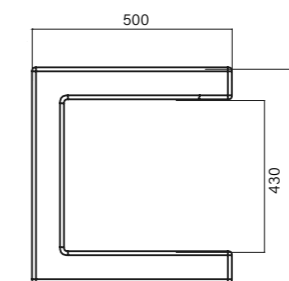


OPTIONAL LUCE LED / LED LIGHT

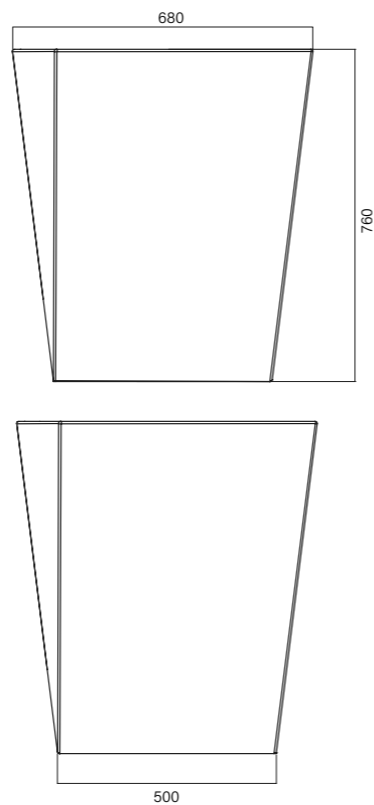
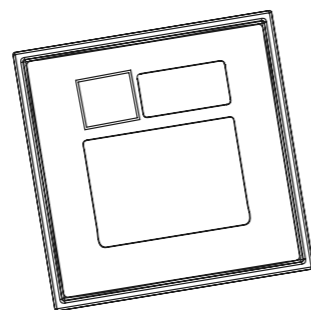


SEDUTE / SEATS

CODE A: UL - PNC - 049
 CODE B: UL - PNC - 050
 DIMENSIONS A: L 600 W 500 H 540
 DIMENSIONS B: L 1800 W 500 H 540
 MATERIAL: UHPC - CONCRETE



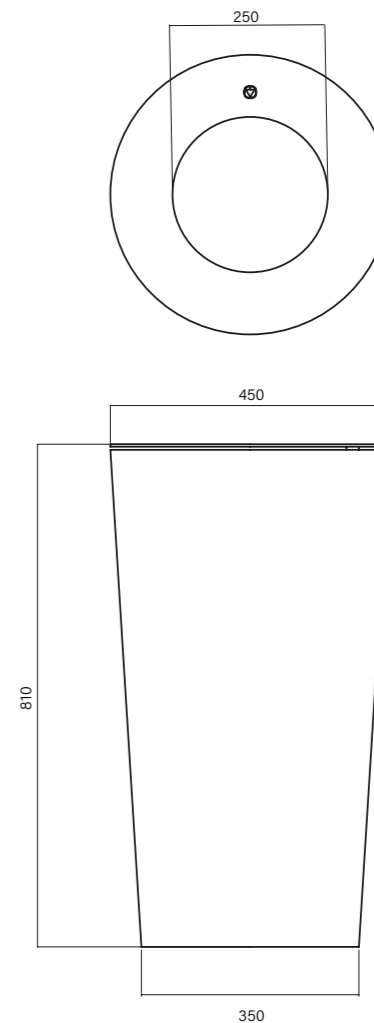
SEA



CESTINI / LITTER BINS

CODE: UL - CST - 016
DIMENSIONS: P 680 H 760
CAPACITY: 120LT
MATERIAL: UHPC - CONCRETE

SMOOTH

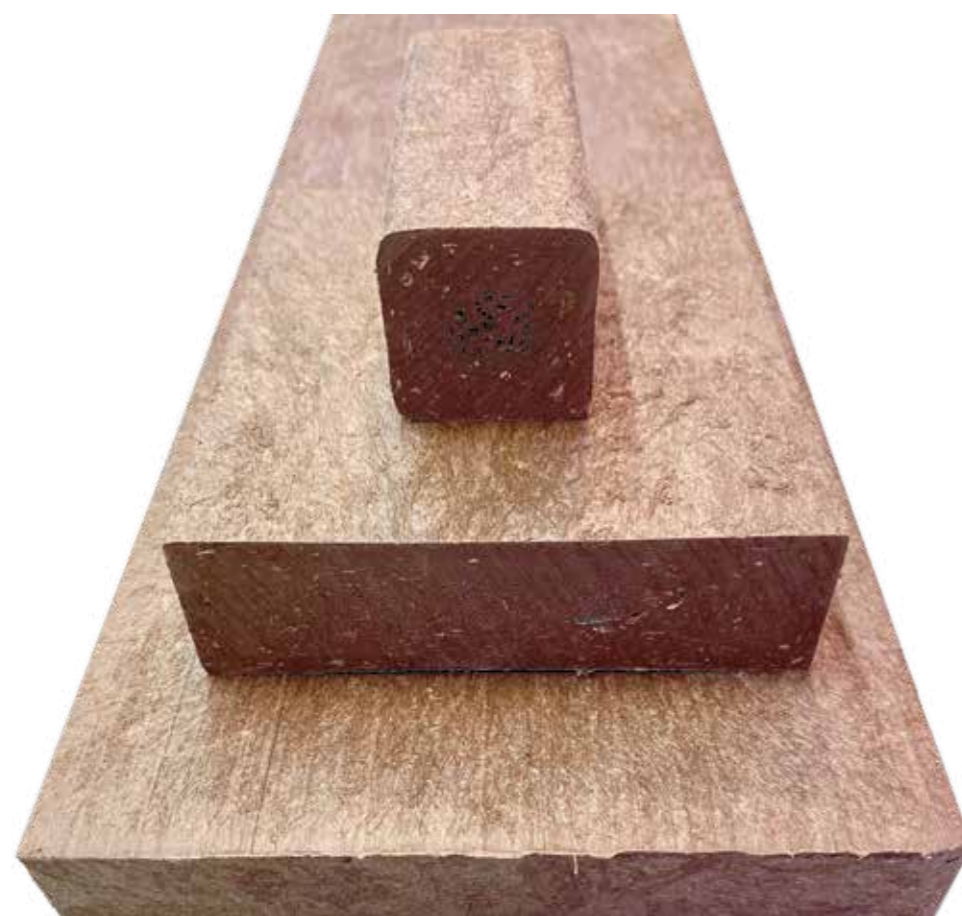


CESTINI / LITTER BINS

CODE: UL - CST - 027
DIMENSIONS: Ø 450 H 810
CAPACITY: 80LT
MATERIAL: UHPC - CONCRETE



RECY COLLECTION



ARREDI IN PLASTICA RICICLATA

I VANTAGGI DELLA PLASTICA RICICLATA AL 100%

Perchè scegliere prodotti in plastica riciclata

ECOSOSTENIBILITÀ

Le plastiche utilizzate per ottenere gli estrusi, derivano dalla raccolta differenziata urbana e non industriale.

NON SERVE MANUTENZIONE

La plastica è un materiale resistente e semplice da pulire. Una volta installata la struttura non dovrete più preoccuparvi di alcun tipo di trattamento.

RESISTENTE ALL'ACQUA

Materiale perfetto arredi per esterni, capace di resistere all'azione dei diversi agenti atmosferici.

RISPETTA L'AMBIENTE

Utilizzare plastica riciclata significa minimizzare l'utilizzo di combustibili fossili e rimpiazzare materiali come il legno, quindi gli alberi vi ringrazieranno!

ATOSSICA

Materiale privo di elementi tossici, quindi assolutamente sicuro anche per i bambini più piccoli.

PRIVA DI SCHEGGE

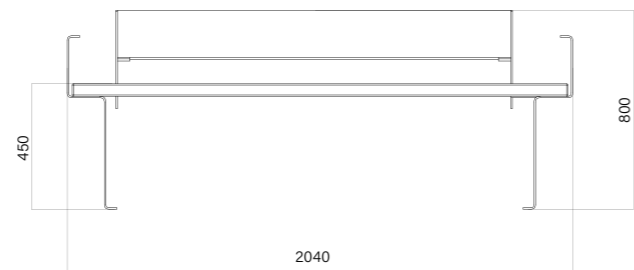
Anche con il passare del tempo mantiene la propria integrità e può quindi essere maneggiato nella più totale sicurezza.

NIENTE BATTERI, FUNGHI E MUFFE

Inattaccabile da batteri, funghi e muffe che normalmente colpiscono i materiali esposti a umidità e altri fattori esterni.

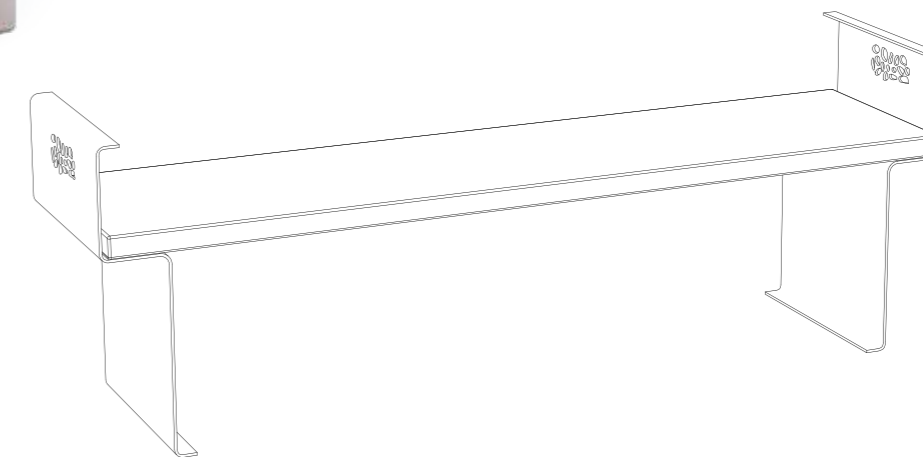
CLAPS

RECY



PANCHINA / BENCH

CODE: UL - PNC - 007 - PR
DIMENSIONS: L 2040 W 610 H 800
MATERIAL: ACCIAIO

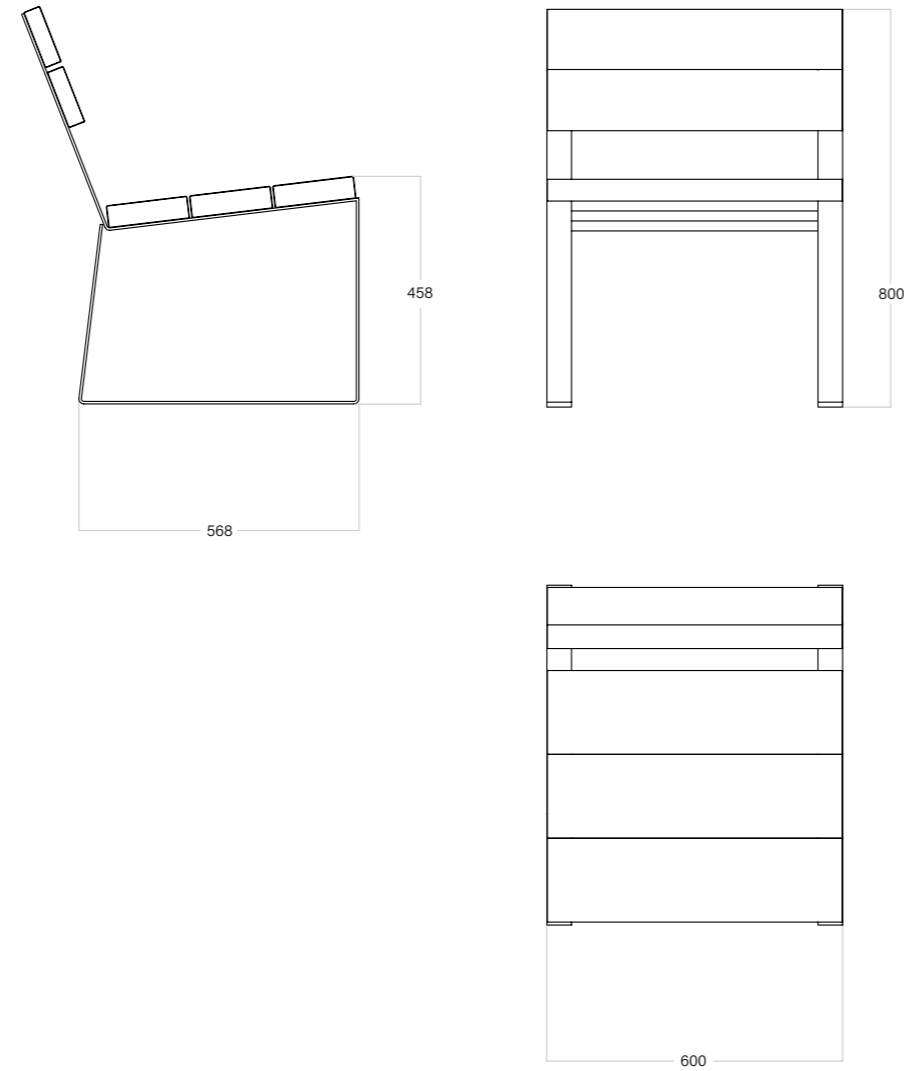


PANCA / SEAT

CODE: UL - PNC - 008 - PR
DIMENSIONS: L 2040 W 500 H 700
MATERIAL: RECYCLED PLASTIC

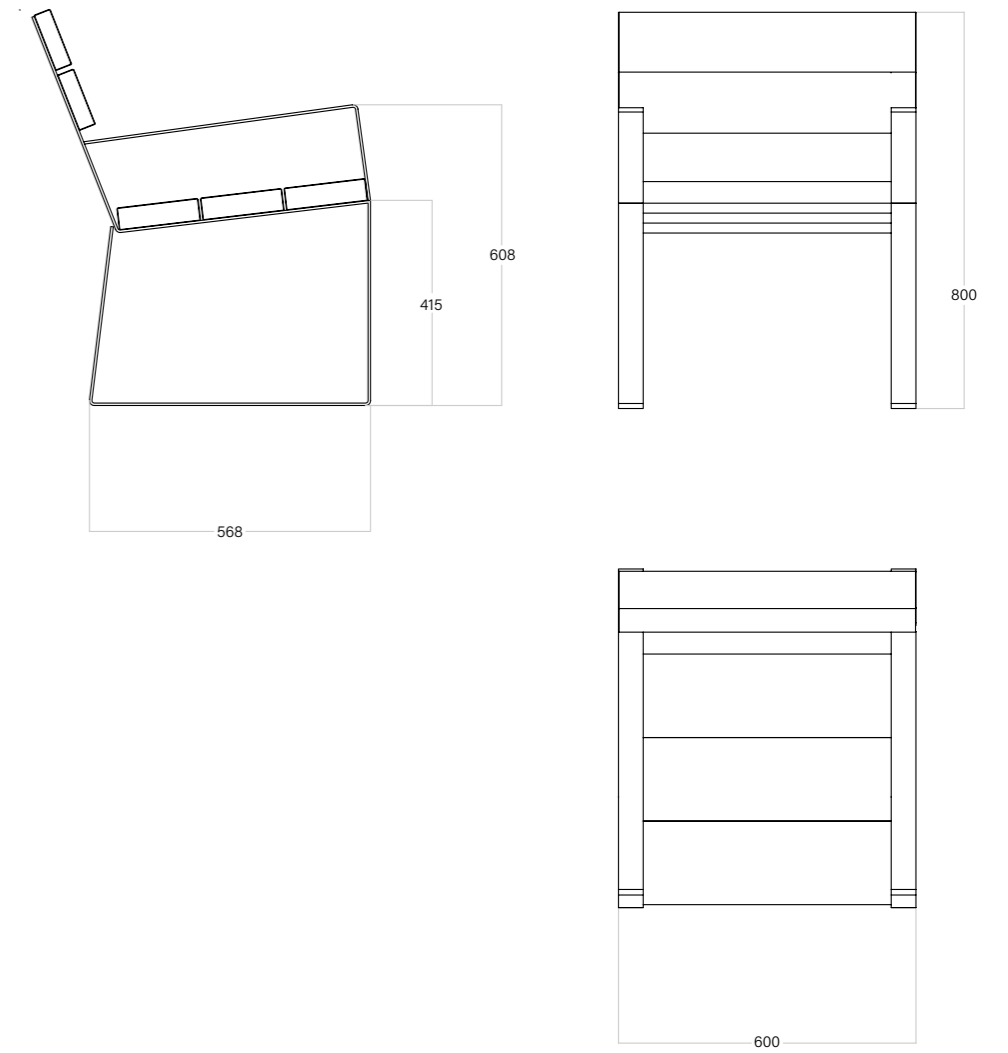
EASY EVO

RECY



SEDIA / CHAIR

CODE: UL - PNC - 075 - PR
DIMENSIONS: L 600 W 620 H 800
MATERIAL: RECYCLED PLASTIC



SEDIA / CHAIR

CODE: UL - PNC - 076 - PR
DIMENSIONS: L 600 W 620 H 800
MATERIAL: RECYCLED PLASTIC

EASY EVO

RECY

B



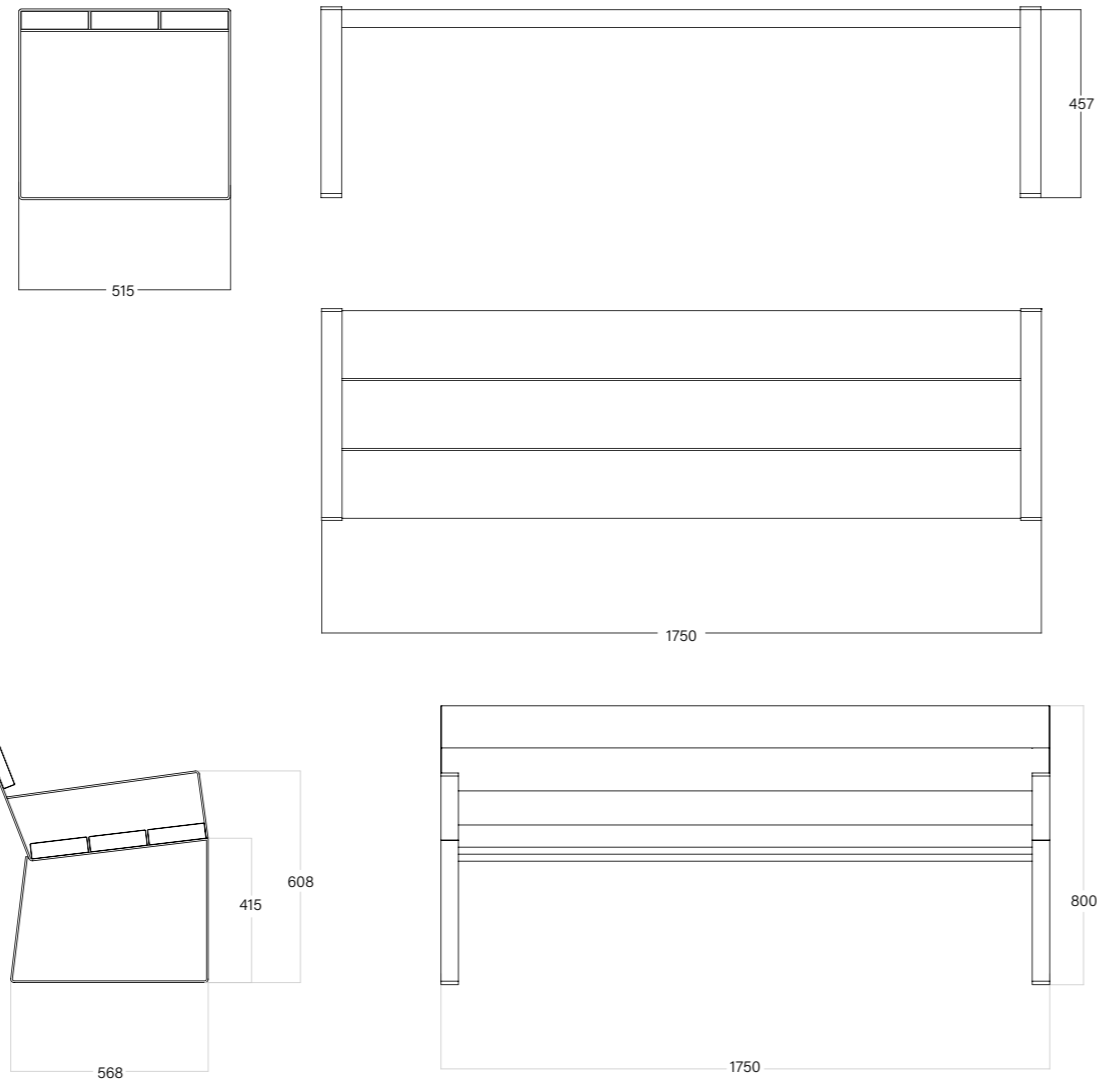
OPTIONAL
BRACCIOLO / ARMREST

A



PANCHINA / BENCH

CODE A: UL - PNC - 012 - PR
CODE B: UL - PNC - 010 - PR
DIMENSIONS A: L 1750 W 588 H 800
DIMENSIONS B: L 1750 W 515 H 457
MATERIAL: RECYCLED PLASTIC



ETIC

RECY

 OPTIONAL USB

A

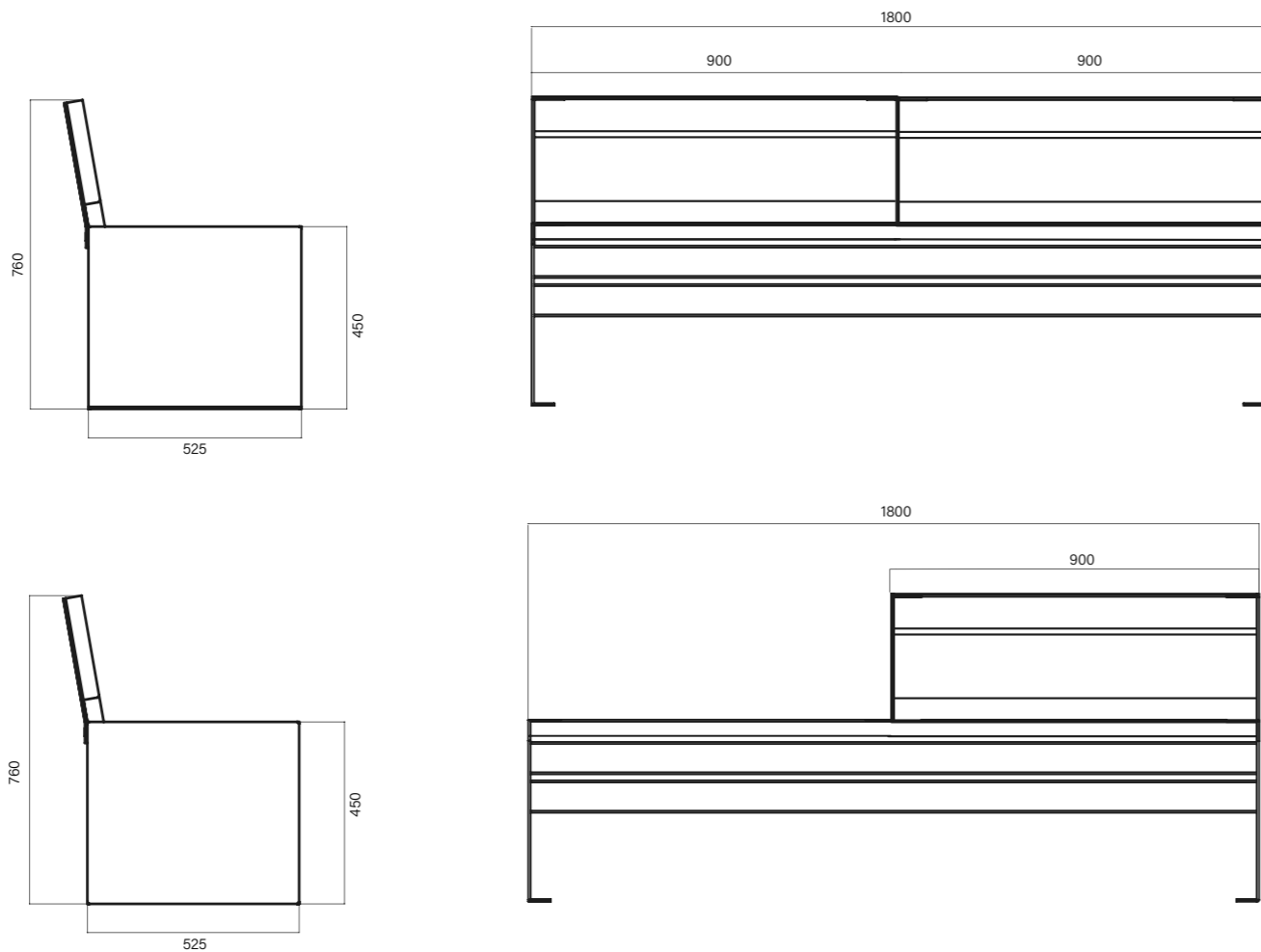


B



PANCHINA / BENCH

CODE A: UL - PNC - 031 - PR
CODE B: UL - PNC - 032 - PR
DIMENSIONS A: L 1800 W 525 H 760
DIMENSIONS B: L 1800 W 525 H 760
MATERIAL: RECYCLED PLASTIC

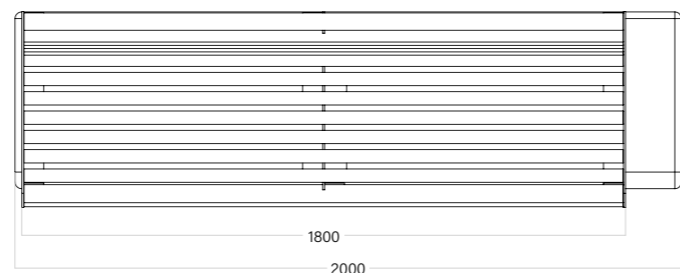
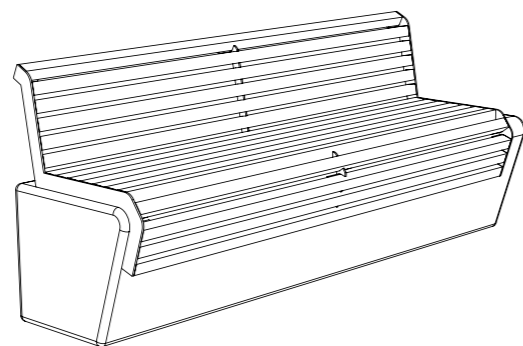
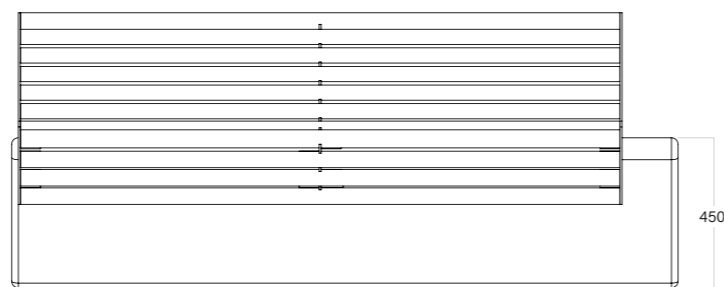
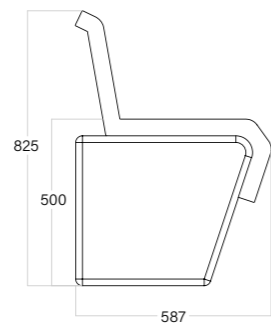


FLAT 1

RECY



OPTIONAL
MONOLITHE
CODE UL - PNC - 043

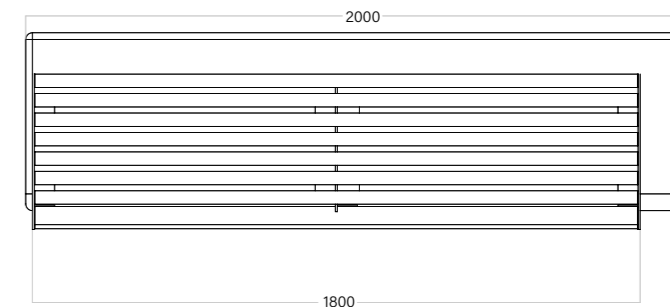
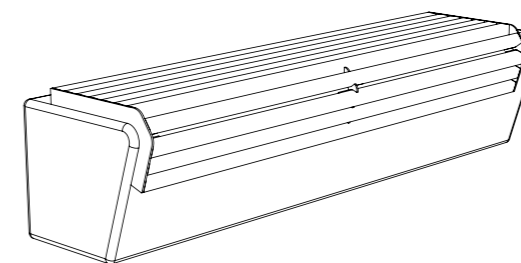
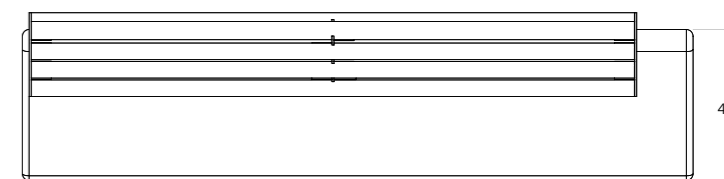
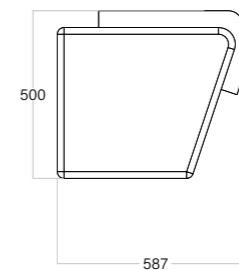


PANCHINA / BENCH

CODE: UL - PNC - 005 - PR
DIMENSIONS: L 2000 W 587 H 825
MATERIAL: RECYCLED PLASTIC



OPTIONAL
MONOLITHE
CODE UL - PNC - 043



PANCA / SEAT

CODE: UL - PNC - 005 - PR
DIMENSIONS: L 2000 W 587 H 500
MATERIAL: RECYCLED PLASTIC

URBAN SHELTER

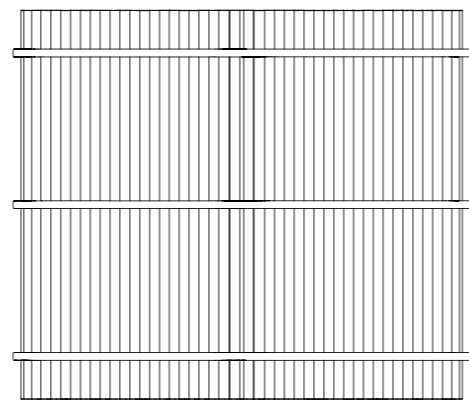
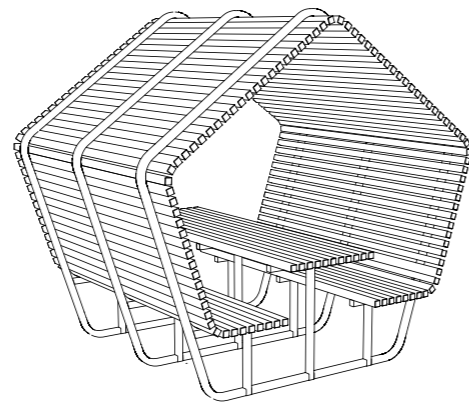
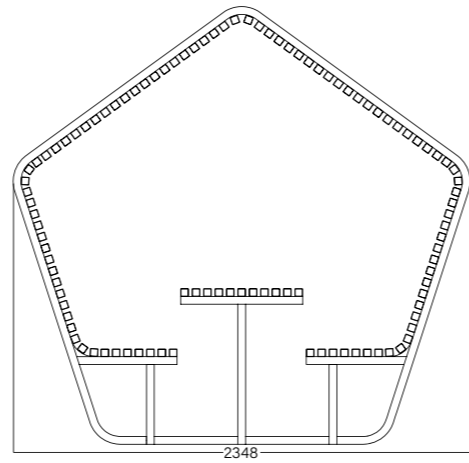
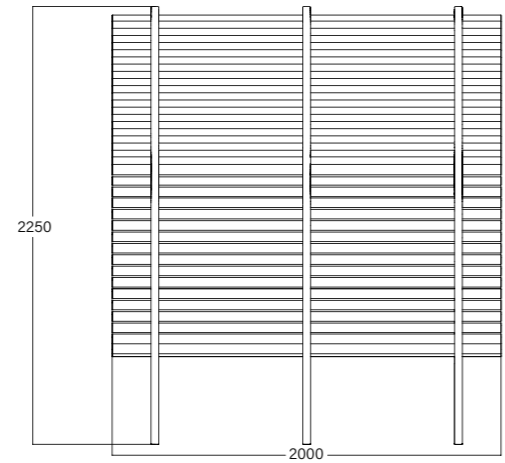
TABLE RECY



OPTIONAL LUCE LED / LED LIGHT



OPTIONAL USB



DESIGNED BY MARTIN SOLEM

PANCHINE / BENCHE

URBAN SHELTER TABLE

CODE: UL - PNC - 052 - PR
DIMENSIONS: L 2000 W 2348 H 2250
MATERIAL: RECYCLED PLASTIC



URBAN SHELTER

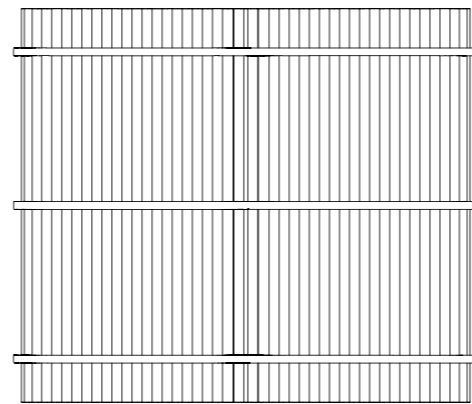
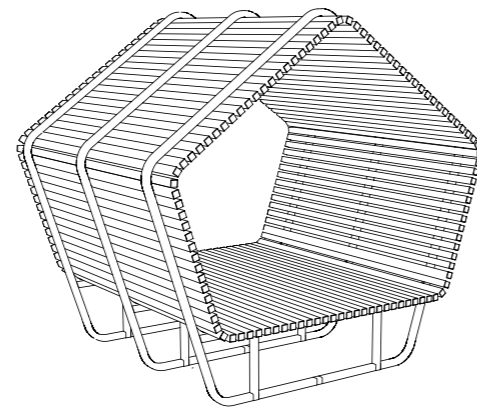
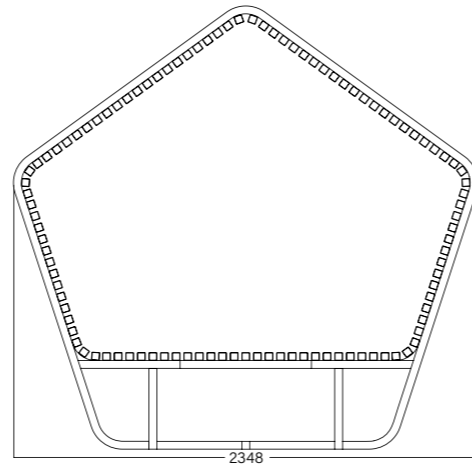
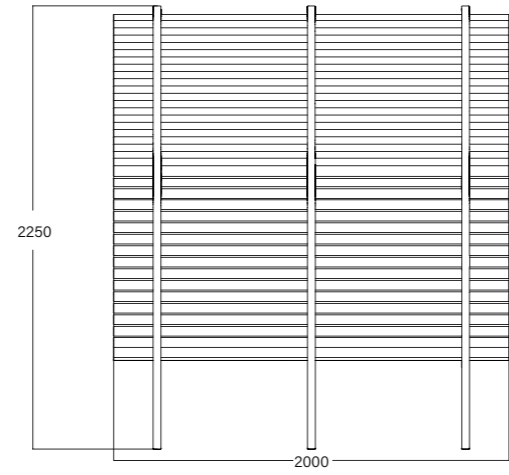
RELAX RECY



OPTIONAL LUCE LED / LED LIGHT



OPTIONAL USB



DESIGNED BY MARTIN SOLEM

PANCHINE / BENCHES

URBAN SHELTER TABLE

CODE: UL - PNC - 055 - PR
DIMENSIONS: L 2000 W 2348 H 2250
MATERIAL: RECYCLED PLASTIC



EASY EVO

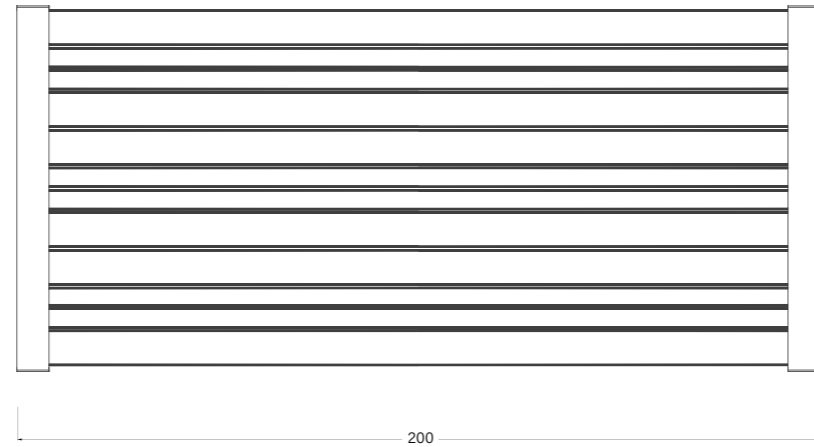
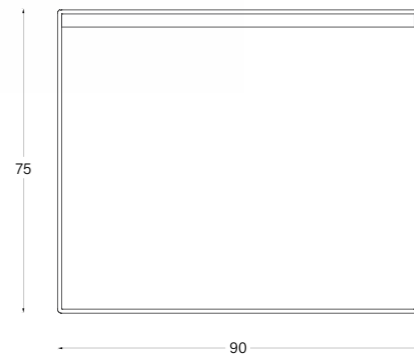
PIC NIC RECY

 OPTIONAL USB



TAVOLO / TABLE

CODE: UL - TVL - 001 - PR
DIMENSIONS: L 200 W 90 H 75
MATERIAL: RECYCLED PLASTIC

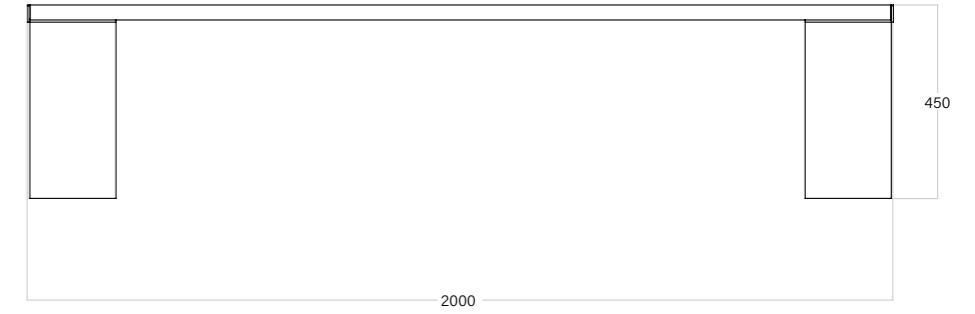
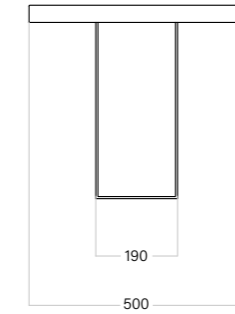
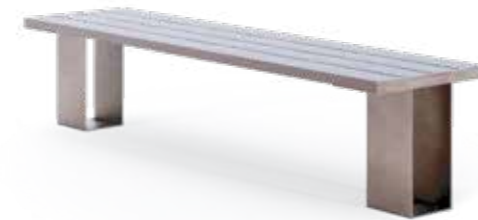


LIBERTY

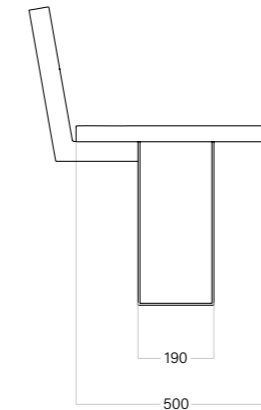
RECY

 OPTIONAL USB

A



B

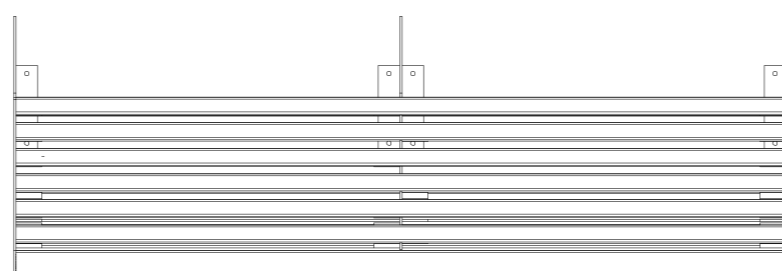
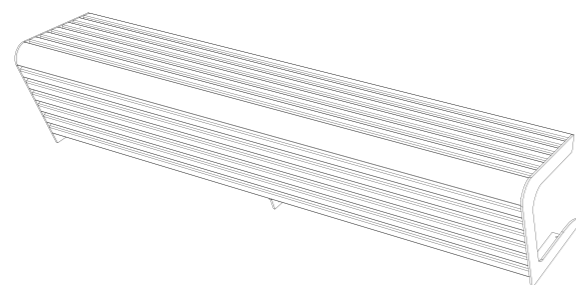
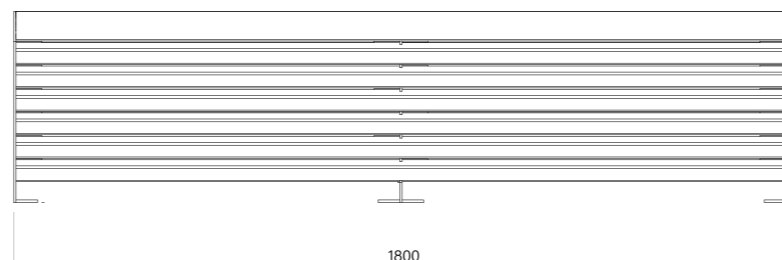
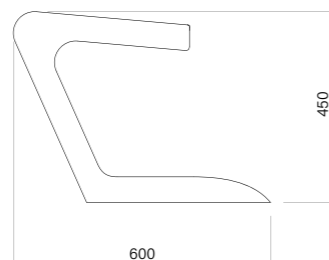
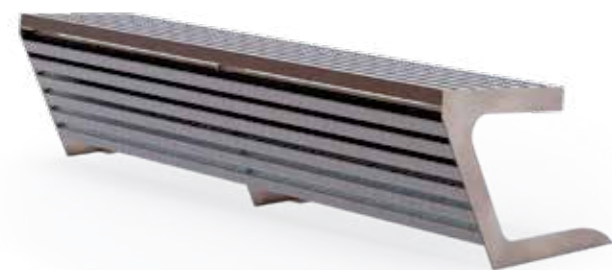


PANCHINA / BENCH

CODE A: UL - PNC - 004 - PR
CODE B: UL - PNC - 003 - PR
DIMENSIONS A: L 2000 P 500 H 450
DIMENSIONS B: L 2000 P 600 H 750
MATERIAL: RECYCLED PLASTIC

WOODY

RECY

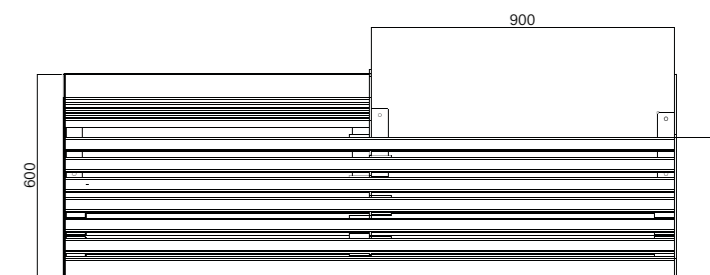
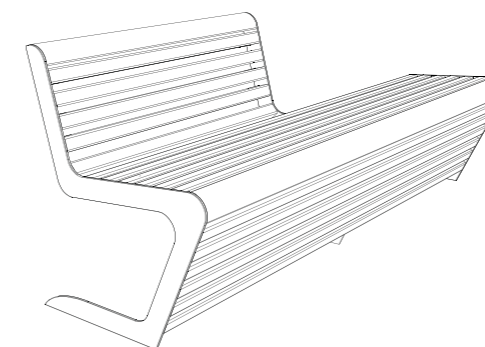
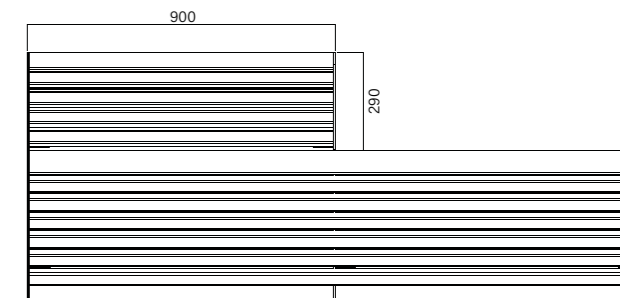
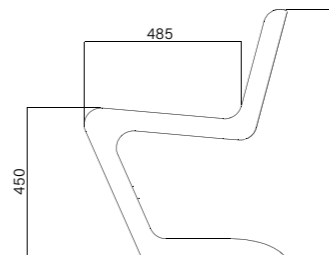


PANCA / SEAT

CODE: UL - PNC - 002 - PR
DIMENSIONS: L 1800 P 600 H 450
MATERIAL: RECYCLED PLASTIC

WOODY

50/50 RECY

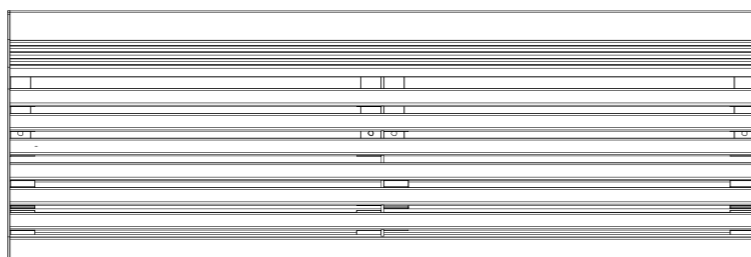
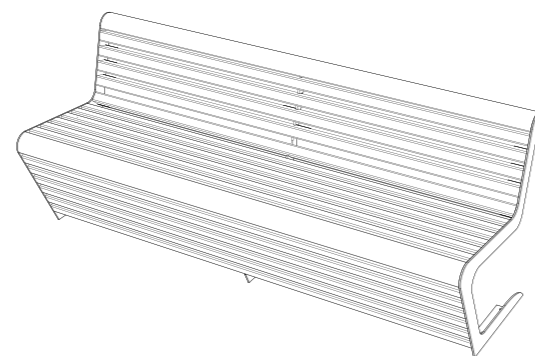
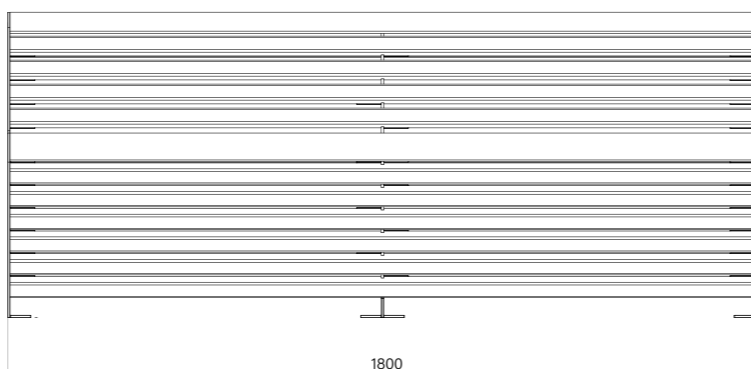
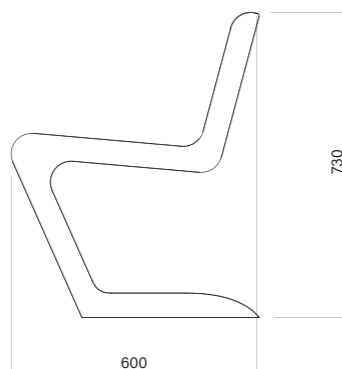


PANCHINA / BENCH

CODE: UL - PNC - 78 - PR
DIMENSIONS: L 1800 P 600 H 740
MATERIAL: RECYCLED PLASTIC

WOODY

RECY

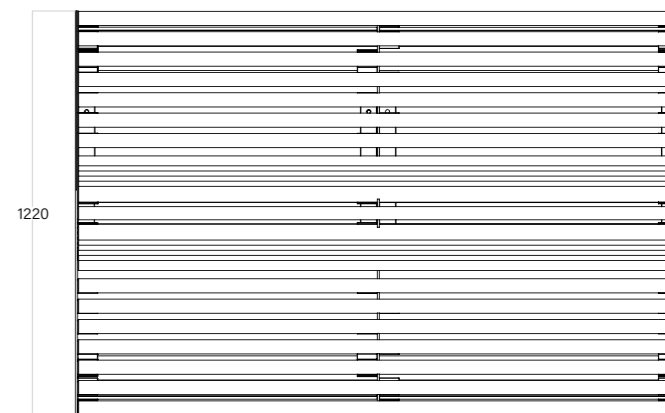
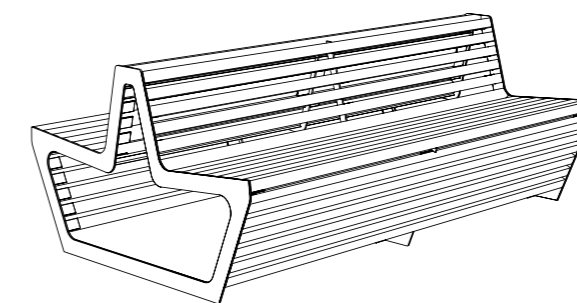
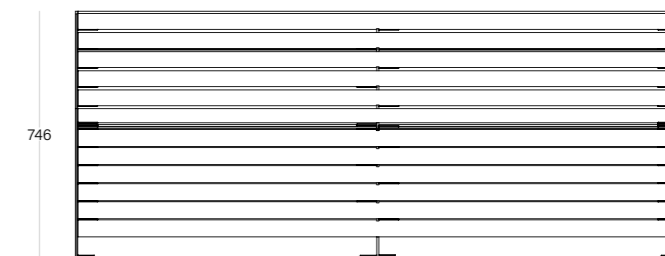
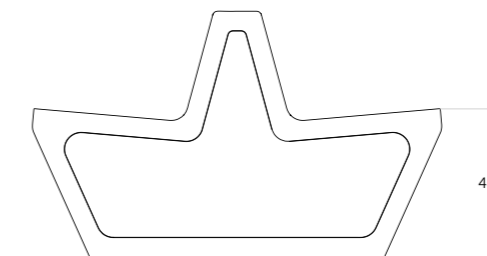


PANCHINA / BENCH

CODE: UL - PNC - 001 - PR
DIMENSIONS: L 1800 P 600 H 730
MATERIAL: RECYCLED PLASTIC

WOODY

TWINS RECY



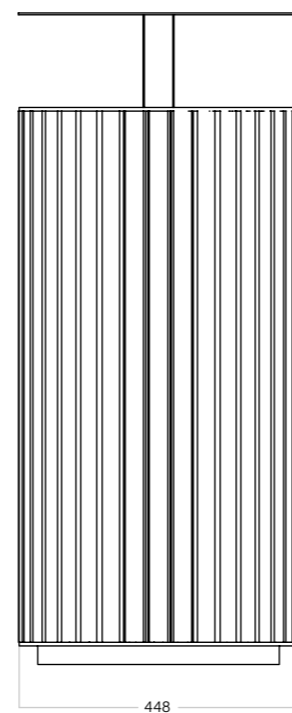
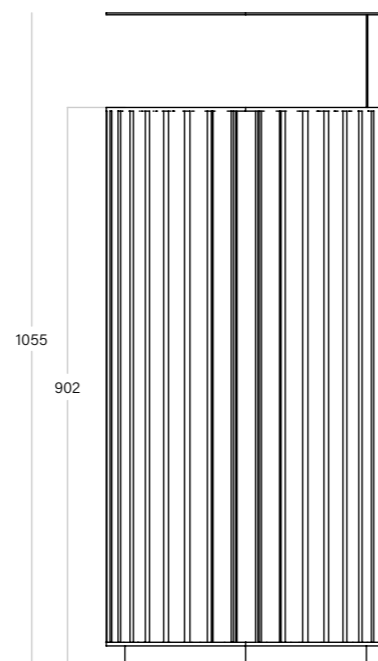
1800

PANCHINA / BENCH

CODE: UL - PNC - 080 - PR
DIMENSIONS: L 1800 P 1200 H 746
MATERIAL: RECYCLED PLASTIC

WOODY

RECY



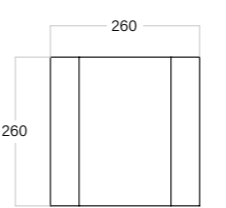
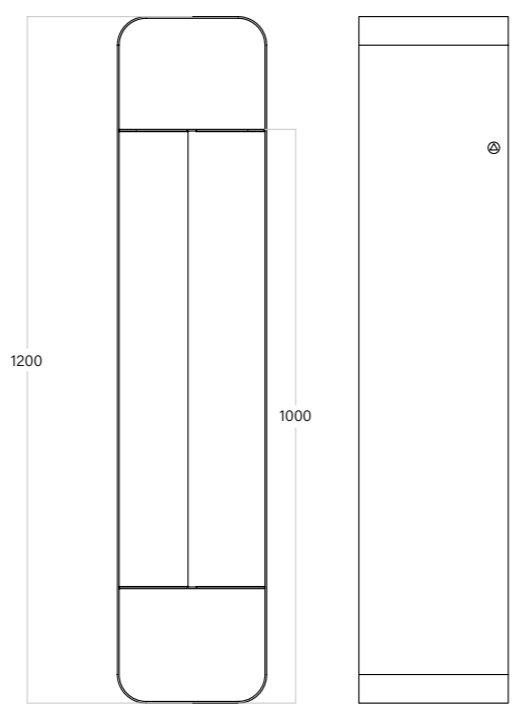
CESTINO / LITTER BIN

CODE: UL - CST - 021 - PR
 DIMENSIONS: Ø 448 H 1055
 CAPACITY: 100 LT
 MATERIAL: RECYCLED PLASTIC



PLAZA S

RECY

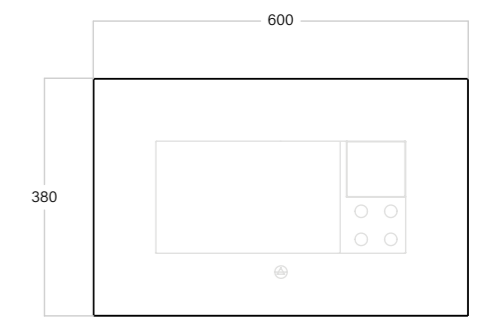
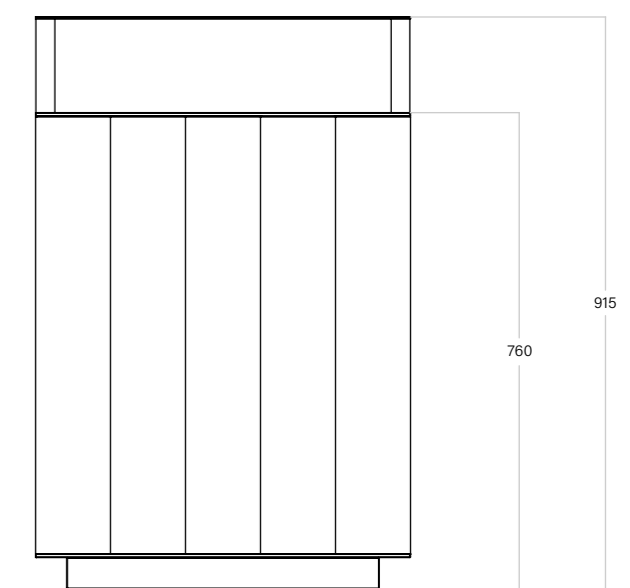
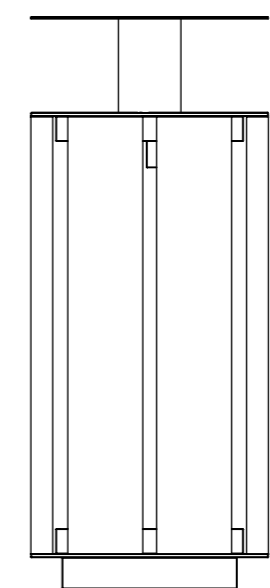


CESTINO / LITTER BIN

CODE: UL-CST-024S-PR
DIMENSIONS: L 260 W 260 H 1200
CAPACITY: 100 LT
MATERIAL: RECYCLED PLASTIC

RETRÒ

RECY



CESTINO / LITTER BIN

CODE: UL - CST - 019 - PR
DIMENSIONS: L 600 W 380 H 915
CAPACITY: 120 LT
MATERIAL: RECYCLED PLASTIC



RETRÒ

MULTI RECY



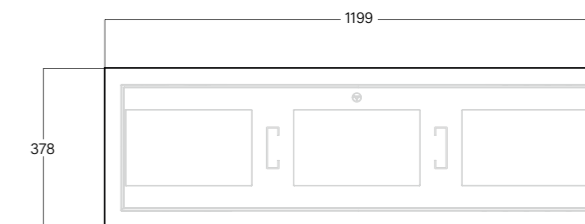
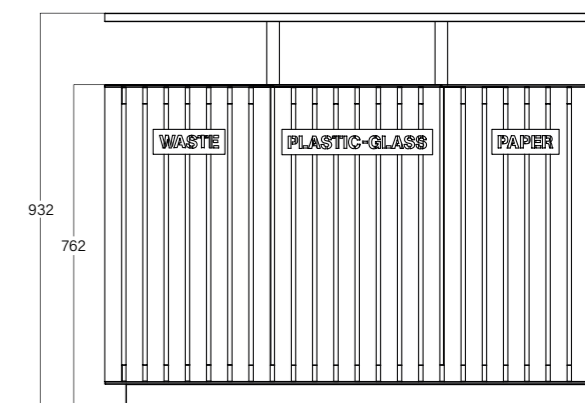
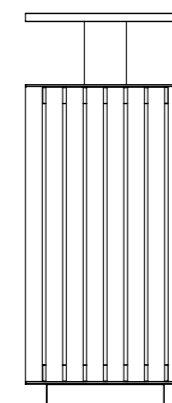
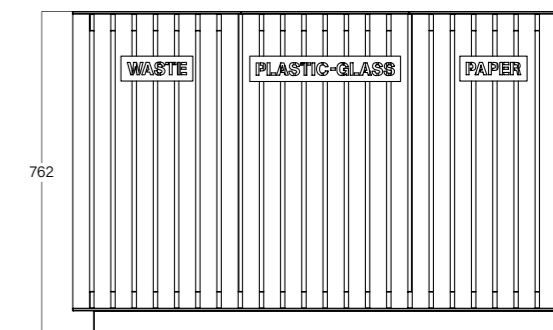
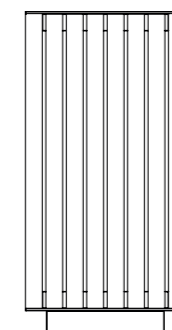
A

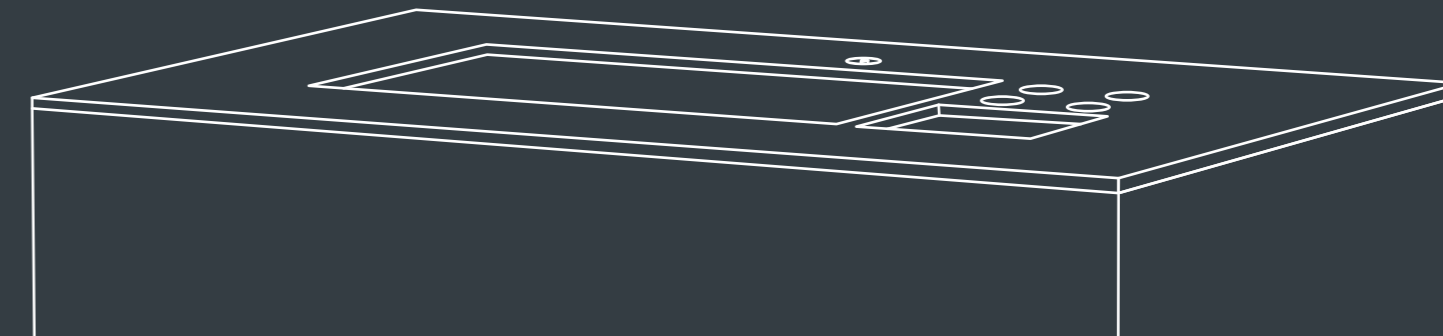


B

CESTINO / LITTER BIN

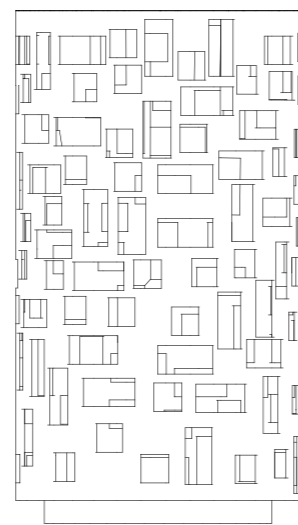
CODE A: UL - CST - 0122 - PR
CODE B: UL - CST - 0122 - PR
DIMENSIONS A: L 1199 P 378 H 762
DIMENSIONS B: L 1199 P 378 H 932
CAPACITY: 80 LT (x3)
MATERIAL: RECYCLED PLASTIC



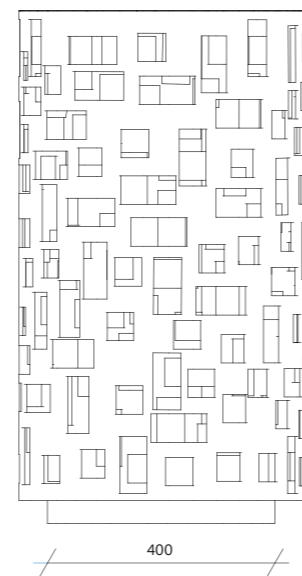
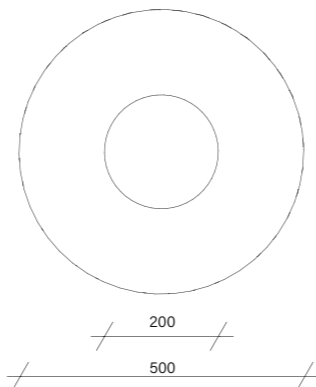


CESTINI LITTER BINS

PIXEL 1



860



400

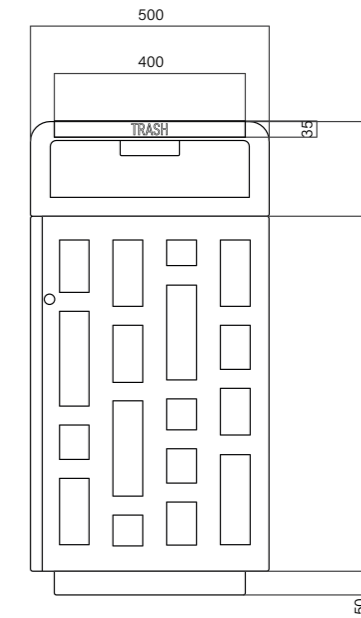
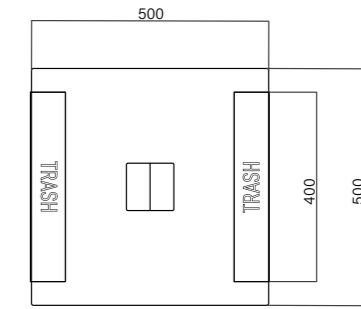
CESTINO / LITTER BIN

CODE: UL - CST - 0211
DIMENSIONS: L 500 W 500 H 860
CAPACITY: 100L
MATERIAL: STEEL





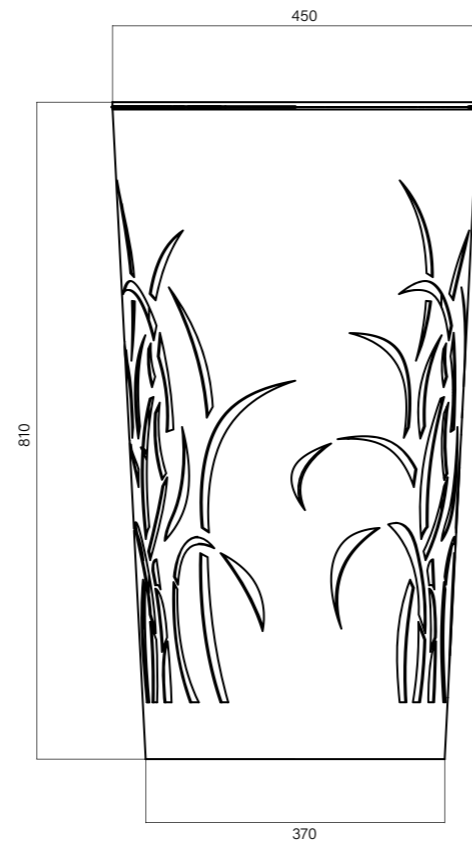
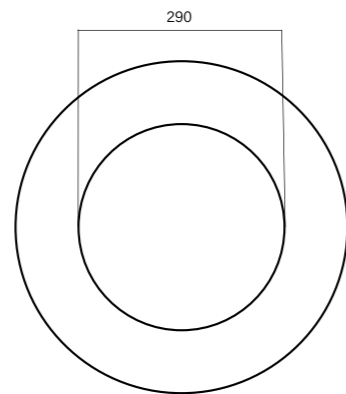
CCF 1



CESTINO / LITTER BIN

CODE: UL - CST - CCF1
DIMENSIONS: L 500 W 500 H 1000
CAPACITY: 110L
MATERIAL: STEEL WITH CONCRETE BASE

GRASS CONIC

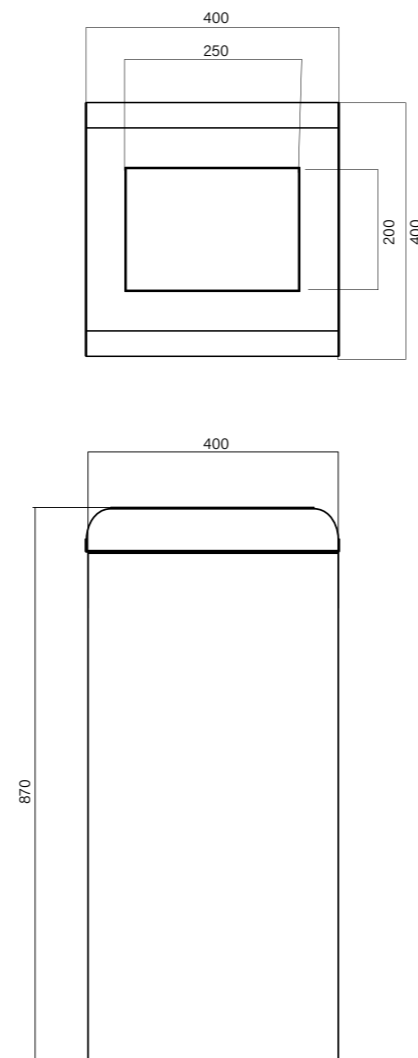


CESTINO / LITTER BIN

CODE: UL - CST - 013
DIMENSIONS: Ø 450 H 810
CAPACITY: 80L
MATERIAL: STEEL



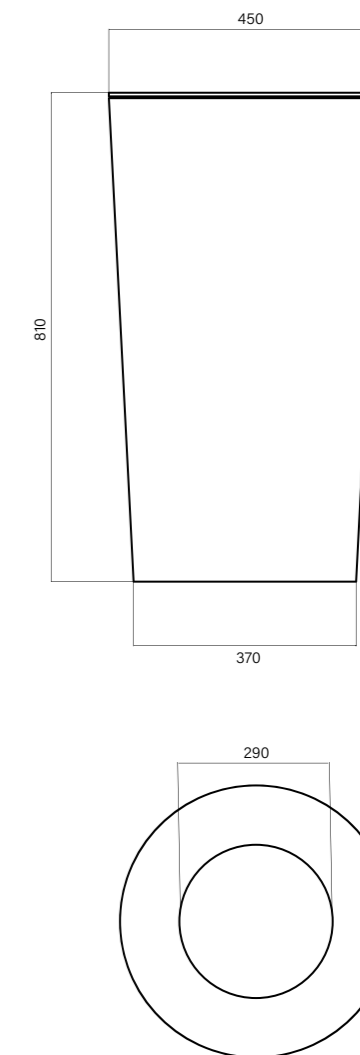
LIGHT



CESTINO / LITTER BIN

CODE: UL - CST - 020
 DIMENSIONS: L 400 W 400 H 870
 CAPACITY: 100L
 MATERIAL: STEEL

LIGHT CONIC



CESTINO / LITTER BIN

CODE: UL - CST - 023
 DIMENSIONS: L 450 W 450 H 810
 CAPACITY: 80L
 MATERIAL: STEEL

NEO

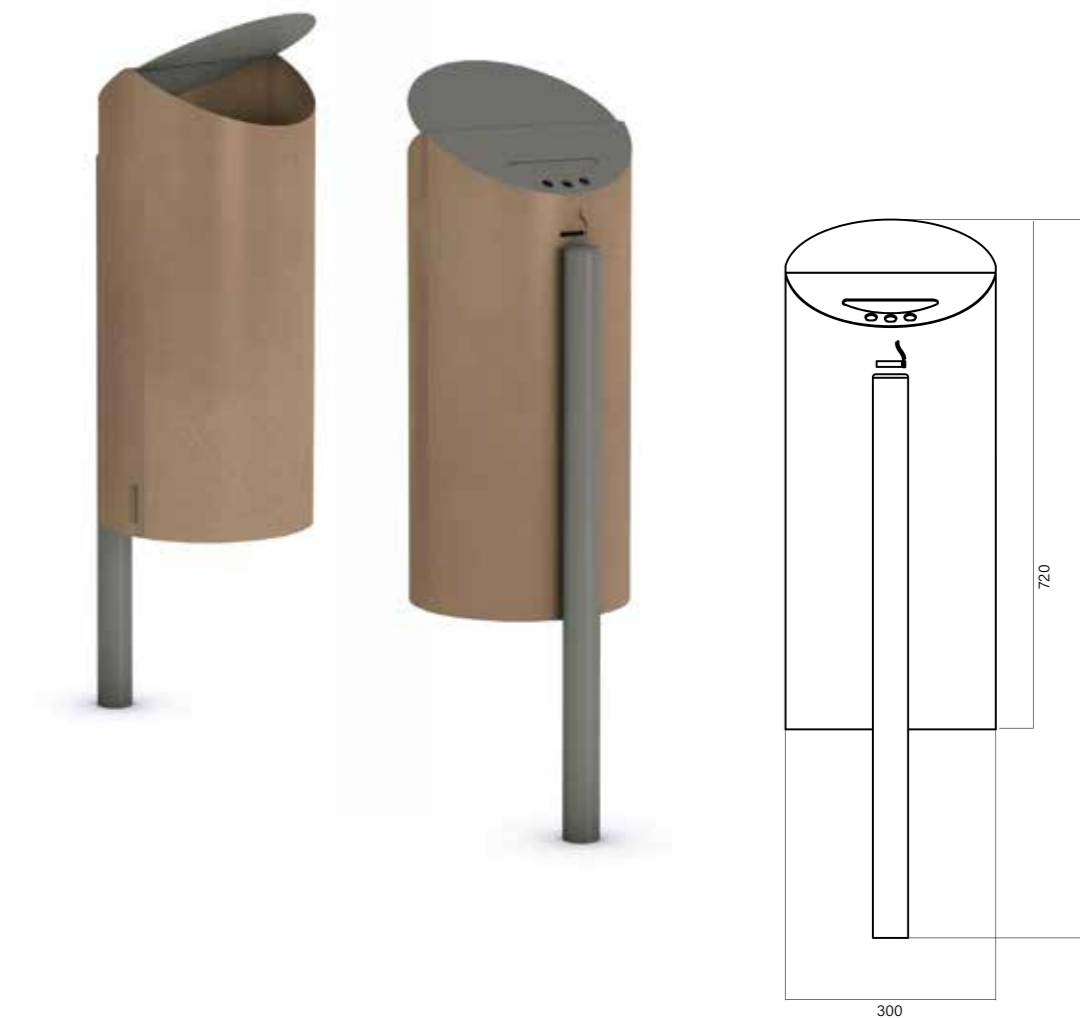


CESTINO / LITTER BIN

CODE: UL - CST - 014
DIMENSIONS: L 480 W 480 H 1100
CAPACITY: 100L
MATERIAL: STEEL

NEO

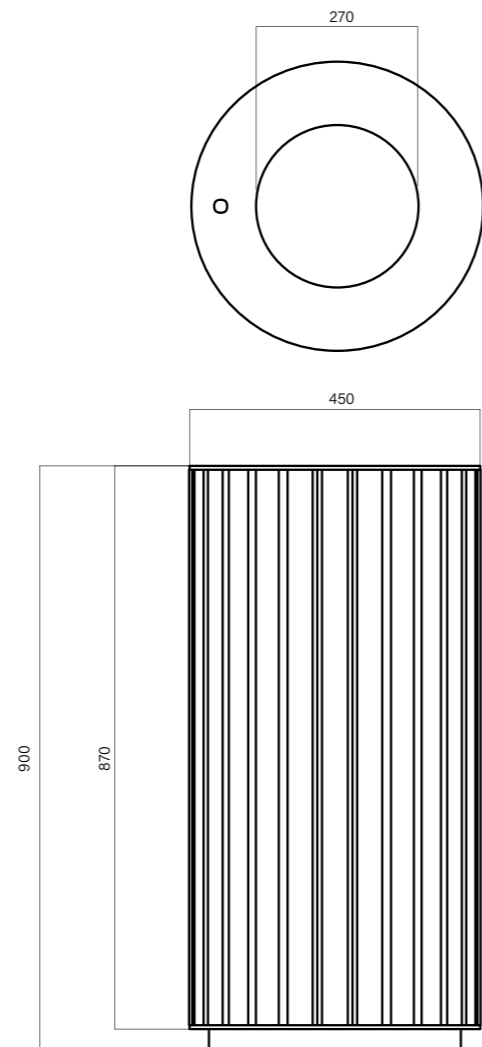
PALO / POLE BRACKET



CESTINO / LITTER BIN

CODE: UL - CST - 015
DIMENSIONS: L 300 W 300 H 1020
CAPACITY: 35L
MATERIAL: STEEL

WOODY



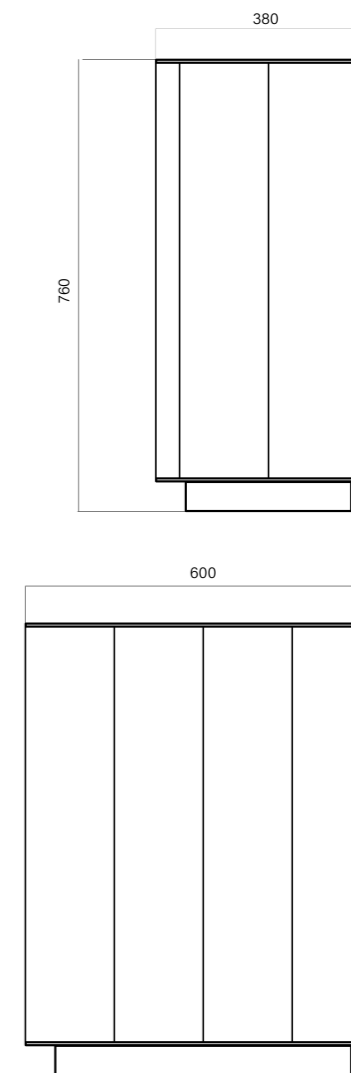
CESTINO / LITTER BIN

CODE A: LEGNO ESOTICO / EXOTIC WOOD UL - CST - 021 - A
CODE B: LEGNO DI PINO / PINE UL - CST - 021 - B
DIMENSIONS: L 450 W 450 H 900
CAPACITY: 100L
MATERIAL: STEEL / WOOD





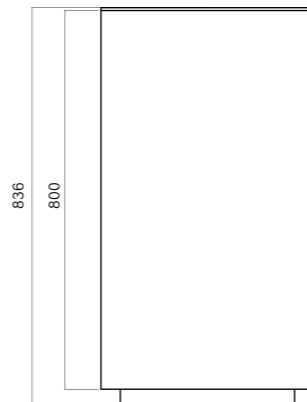
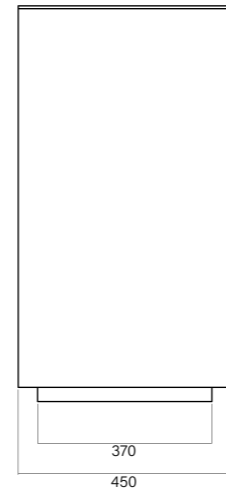
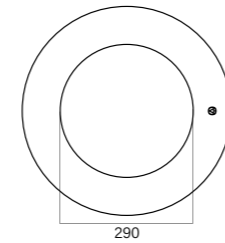
RETRO⁷



CESTINO / LITTER BIN

CODE: UL - CST - 019
DIMENSIONS: L 600 W 380 H 760
CAPACITY: 120L
MATERIAL: STEEL / WOOD

SIMPLY

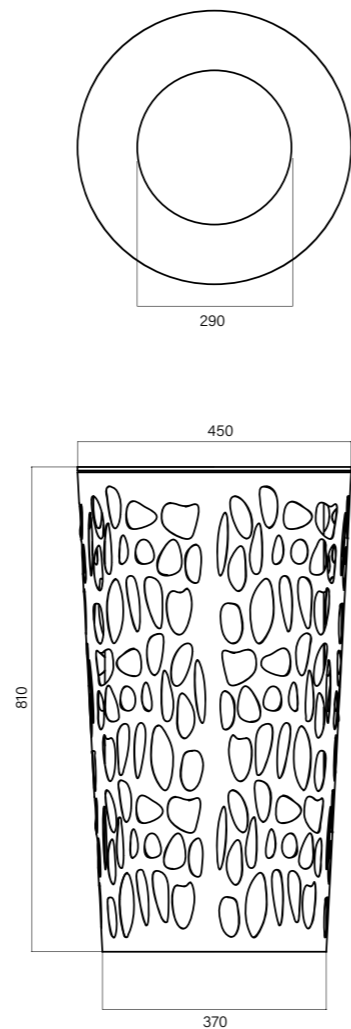


CESTINO / LITTER BIN

CODE: UL - CST - 026
DIMENSIONS: L 450 W 450 H 836
CAPACITY: 100L
MATERIAL: STEEL



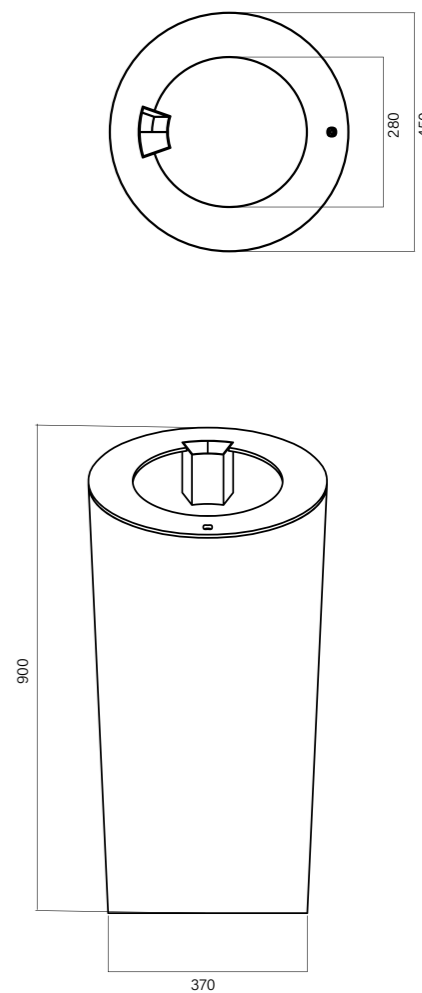
CLAPS CONIC



CESTINO / LITTER BIN

CODE: UL - CST - 025
 DIMENSIONS: L 450 W 450 H 810
 CAPACITY: 80L
 MATERIAL: STEEL

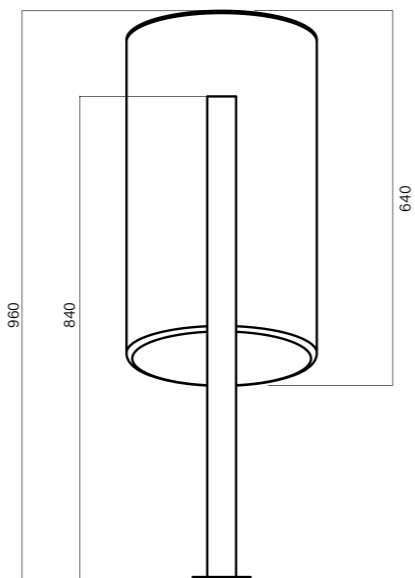
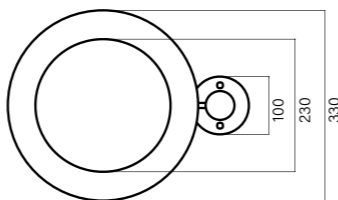
CONE



CESTINO / LITTER BIN

CODE: UL - CST - 018
 DIMENSIONS: L 450 W 450 H 900
 CAPACITY: 80L
 MATERIAL: STEEL

CHEAP



CESTINO / LITTER BIN

CODE: UL - CST - 017
DIMENSIONS: L 330 W 330 H 960
CAPACITY: 35L
MATERIAL: STEEL



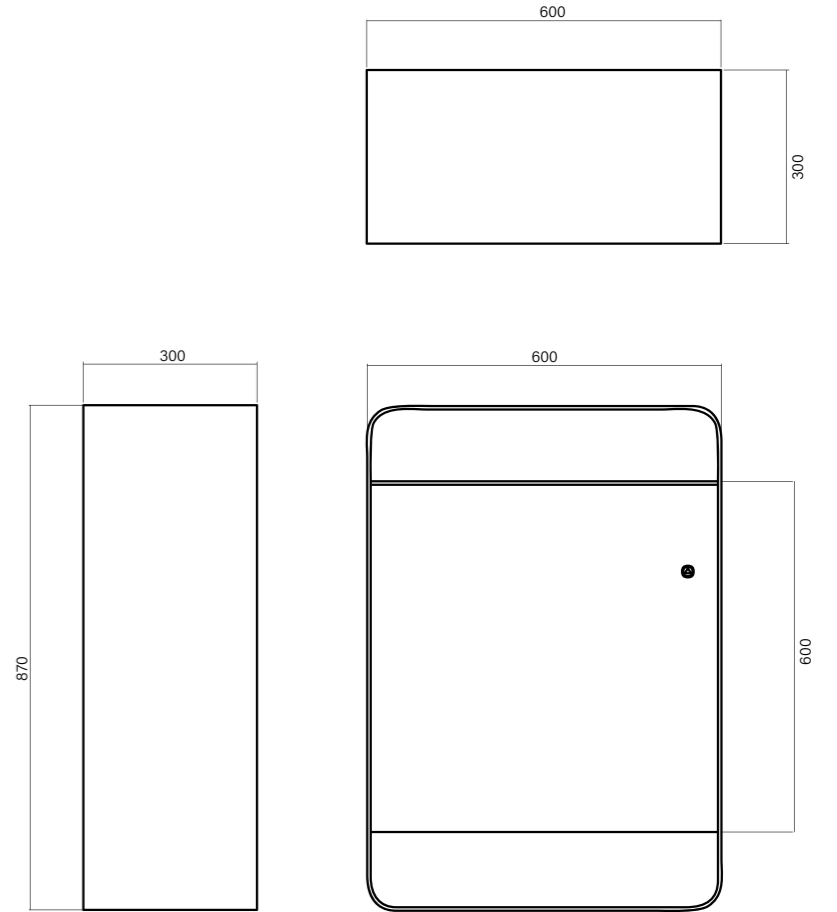


PLAZA

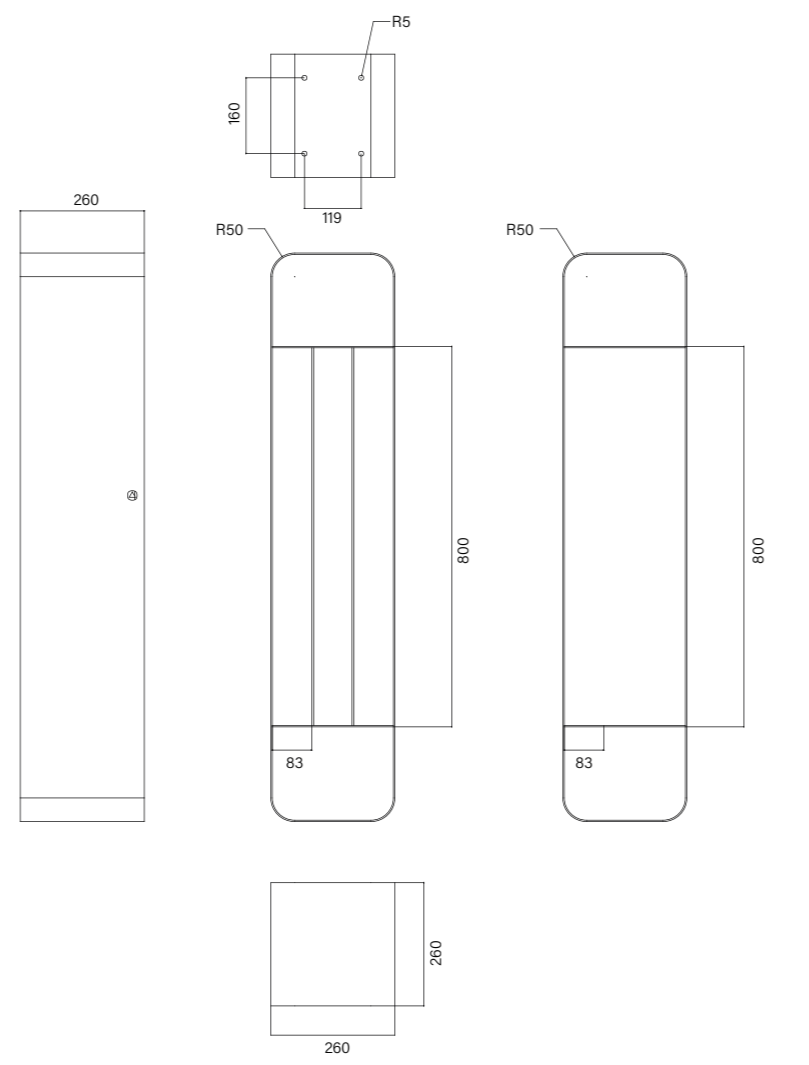
 **OPTIONAL WITH HOLES**

CESTINO / LITTER BIN

CODE: UL - CST - 024
DIMENSIONS: L 600 W 300 H 870
CAPACITY: 75L
MATERIAL: STEEL



PLAZA S

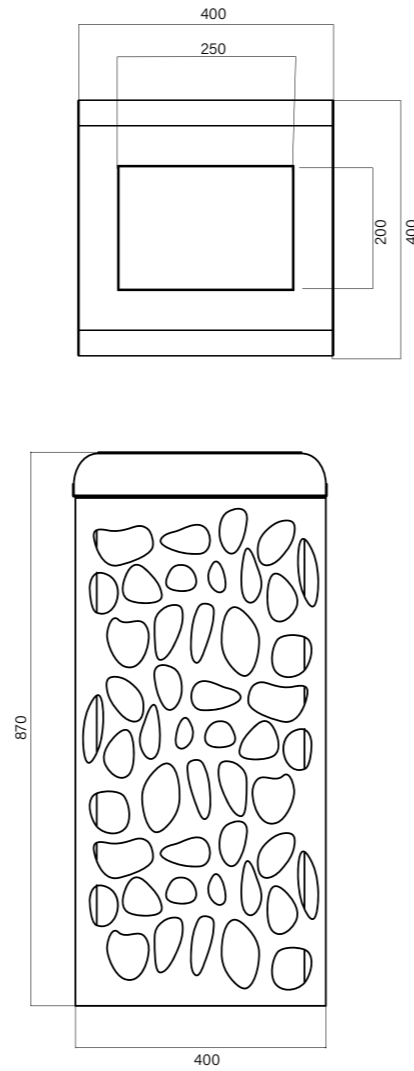


CESTINO / LITTER BIN

CODE: UL - CST - 024S
DIMENSIONS: L 260 W 260 H 1200
CAPACITY: 35L
MATERIAL: STEEL



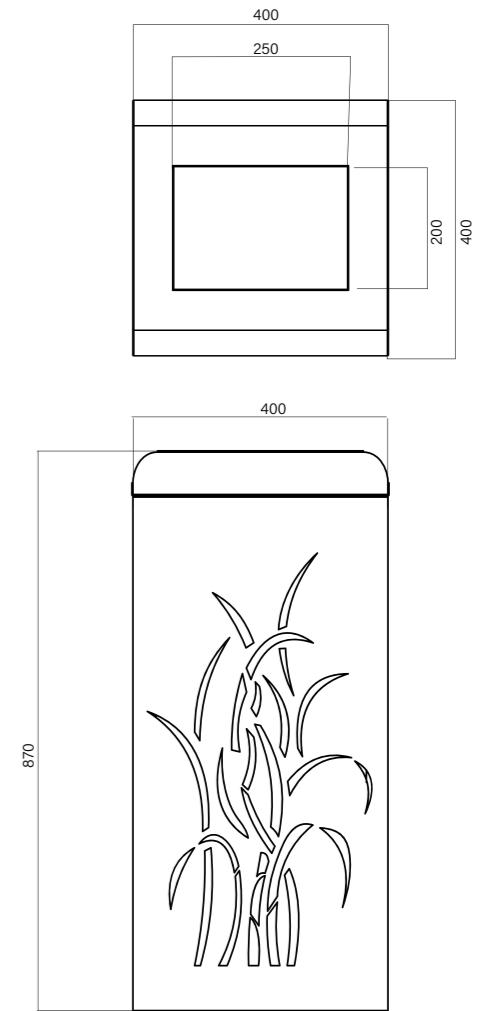
CLAPS



CESTINO / LITTER BIN

CODE: UL - CST - 022
DIMENSIONS: L 400 W 400 H 870
CAPACITY: 100L
MATERIAL: STEEL

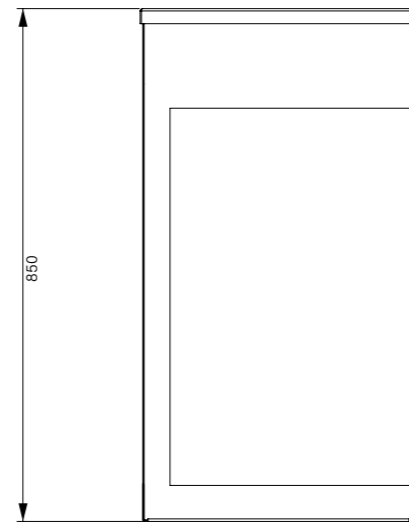
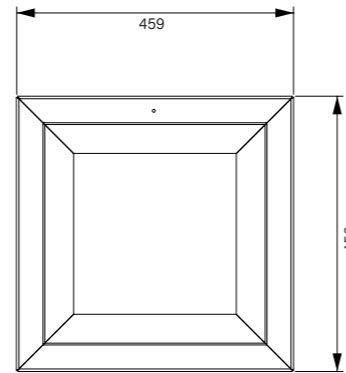
GRASS



CESTINO / LITTER BIN

CODE: UL - CST - 031
DIMENSIONS: L 400 W 400 H 870
CAPACITY: 100L
MATERIAL: STEEL

ROMA



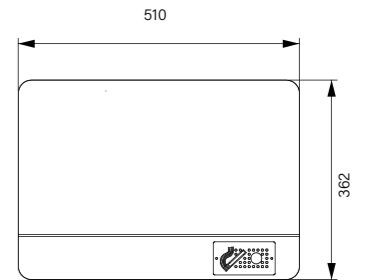
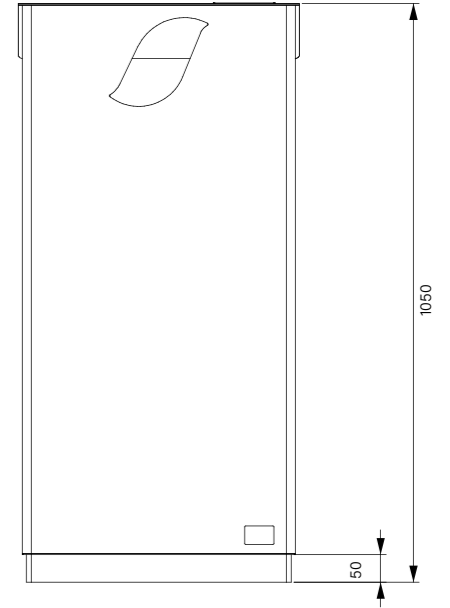
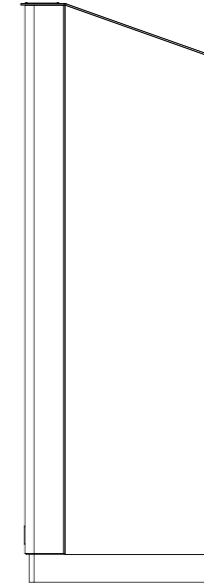
CESTINO / LITTER BIN

CODE: UL - CST - 2000
DIMENSIONS: L 459 W 456 H 850
MATERIAL: STEEL





DOGE

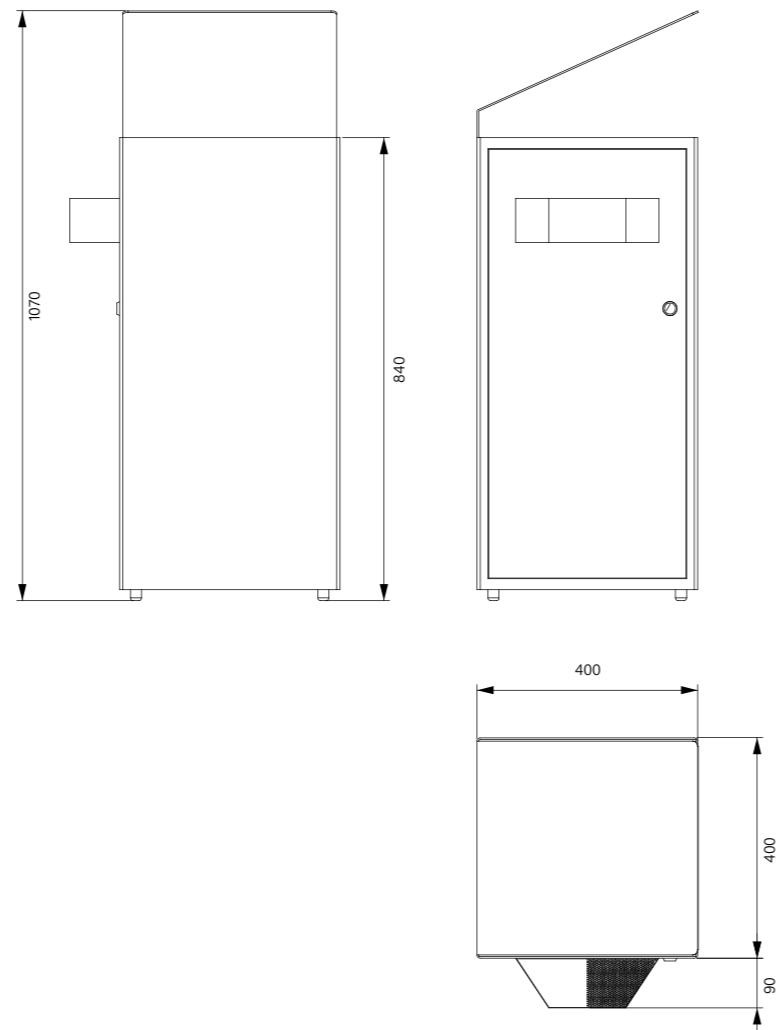


CESTINO / LITTER BIN

CODE: UL - CST - 999
DIMENSIONS: L 510 W 362 H 1050
MATERIAL: STEEL

NAVY

 **OPTIONAL WITH ASHTRAY**



CESTINO / LITTER BIN

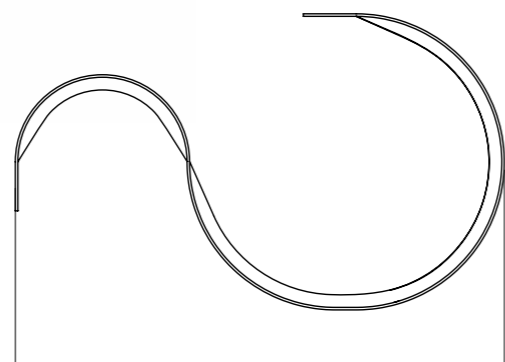
CODE: UL - CST - 0870
DIMENSIONS: L 400 W 400 H 1070
MATERIAL: STEEL



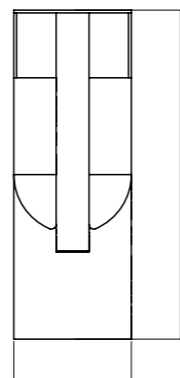


PORTABICI BIKE RACKS

SNAKE

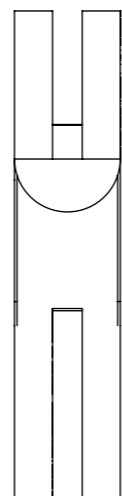


1150



250

700

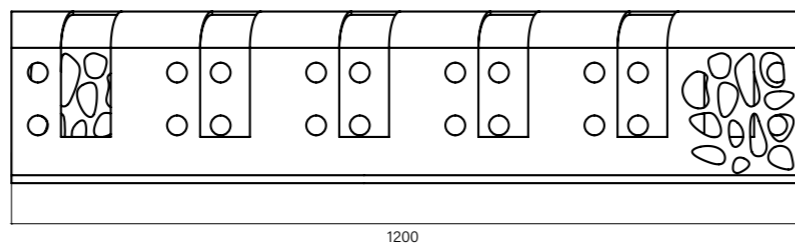
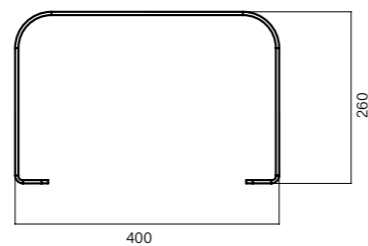


PORTABICI / BIKE RACK

CODE: UL - PRB - 03
DIMENSIONS: L 1150 W 250 H 700
MATERIAL: STEEL



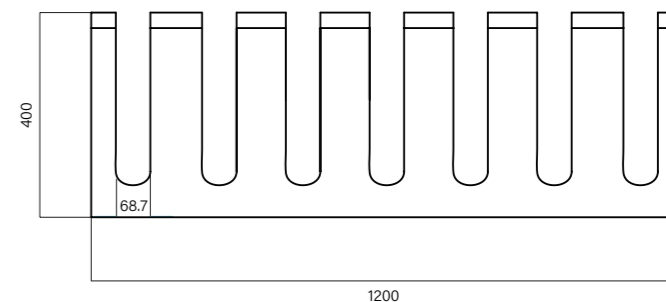
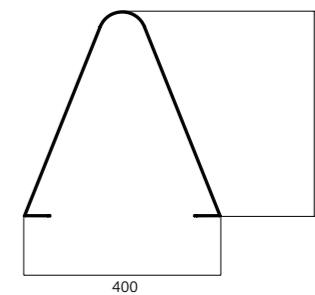
CLAPS



PORTABICI / BIKE RACK

CODE: UL-PRB-09
DIMENSIONS: L 1200 W 400 H 260
MATERIAL: STEEL

CLASSIC

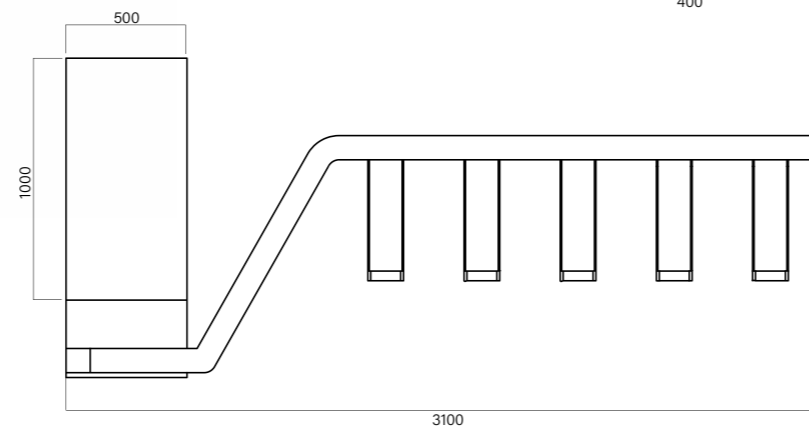
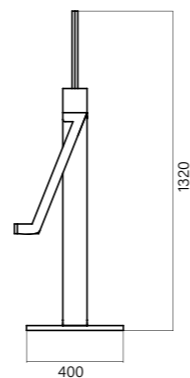


PORTABICI / BIKE RACK

CODE: UL - PRB - 04
DIMENSIONS: L 1200 W 400 H 400
MATERIAL: STEEL

RIO

con TOTEM / with NOTICEBOARD

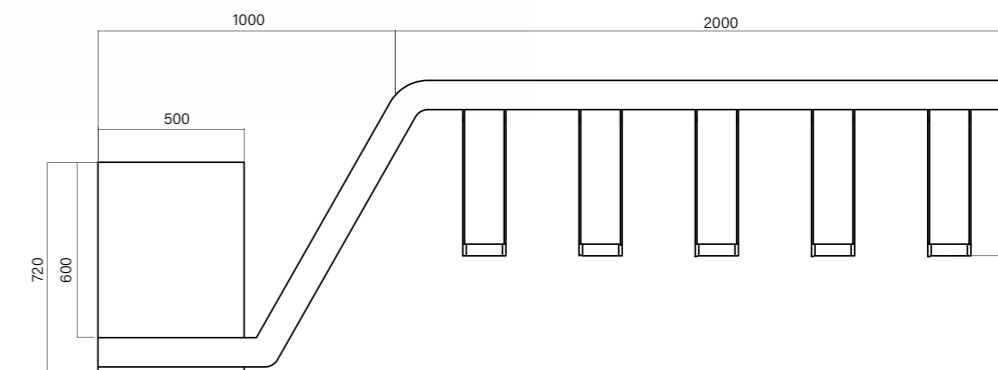
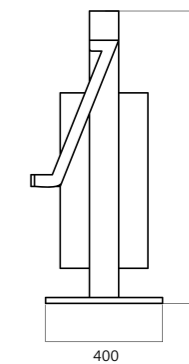


PORTABICI / BIKE RACK

CODE: UL - PRB - 02
DIMENSIONS: L 3100 W 400 H 1320
MATERIAL: STEEL

RIO

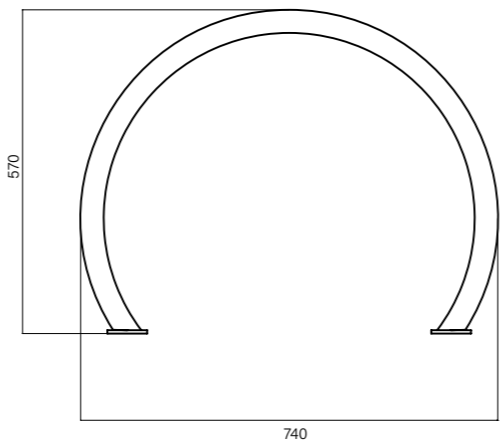
con CESTINO / with BIN



PORTABICI / BIKE RACK

CODE: UL - PRB - 01
DIMENSIONS: L 3000 W 400 H 1000
MATERIAL: STEEL

RING



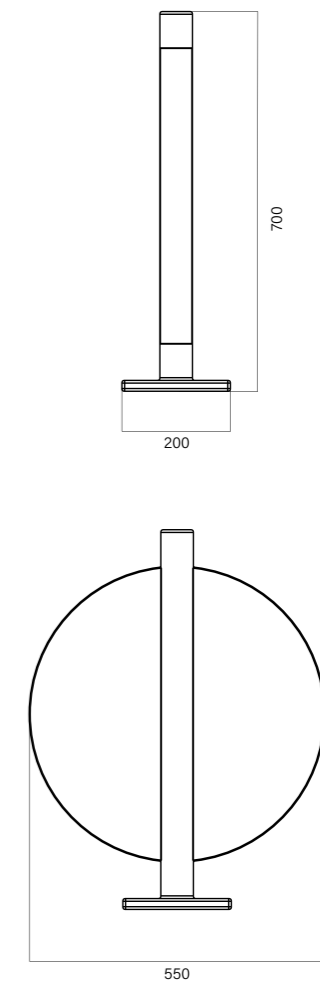
PORTABICI / BIKE RACK

CODE: UL - PRB - 07
DIMENSIONS: L 740 W 70 H 570
MATERIAL: STEEL





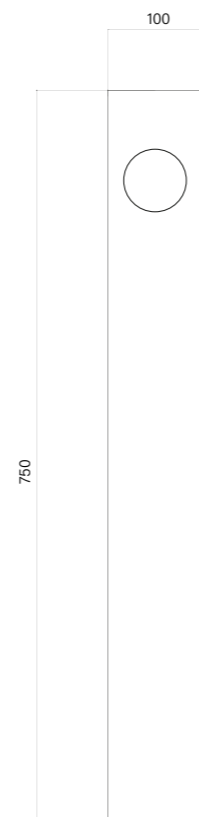
ROUND



PORTABICICLI / BIKE RACK

CODE: UL - PRB - 05
DIMENSIONS: L 550 W 200 H 700
MATERIAL: STEEL

AGO

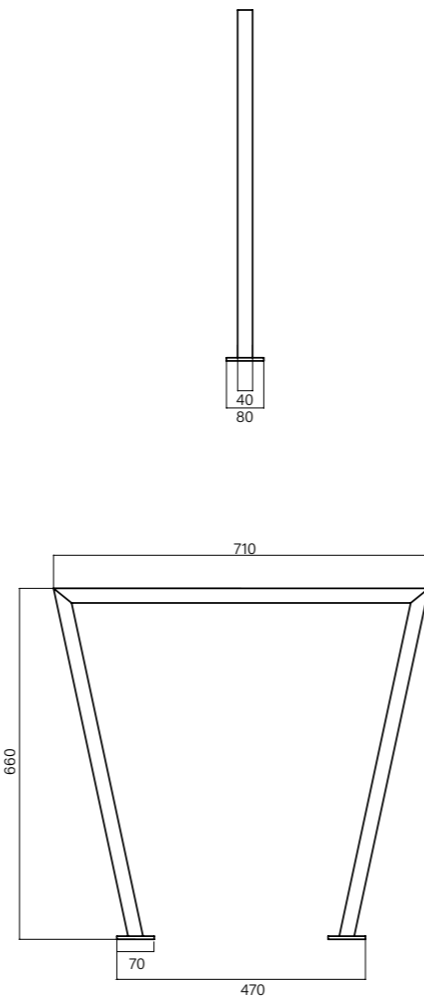


PORTABICI / BIKE RACK

CODE: UL - PRB - 06
DIMENSIONS: L 100 W 75 H 750
MATERIAL: STEEL



SQUARE

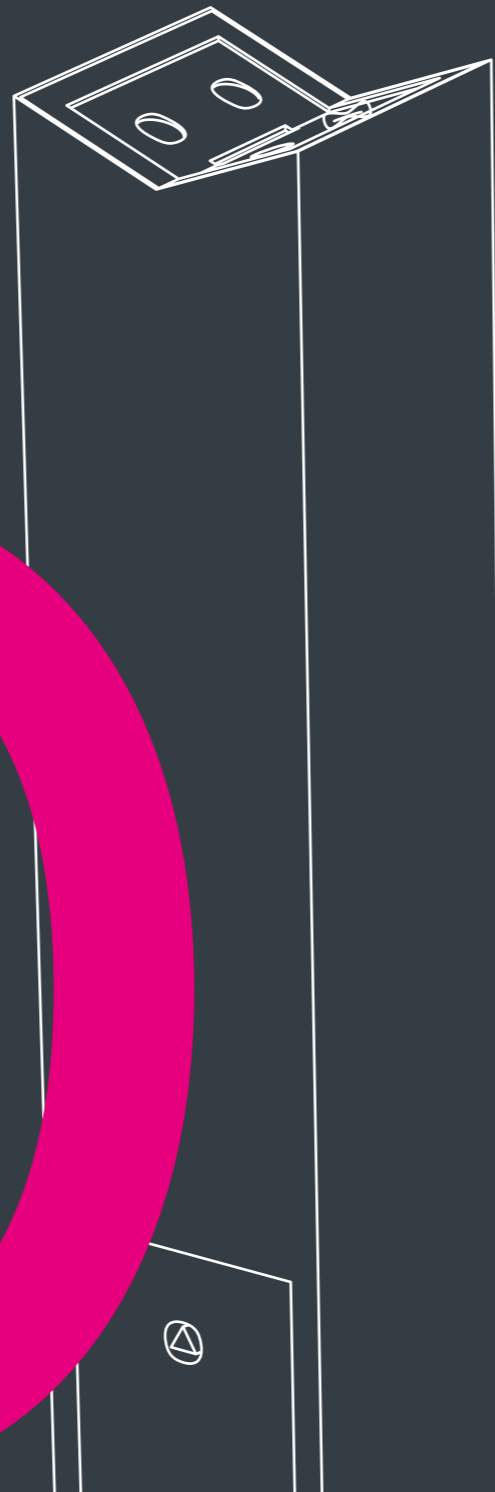


PORTABICI / BIKE RACK

CODE: UL - PRB - 08
DIMENSIONS: L 80 W 750 H 660
MATERIAL: STEEL

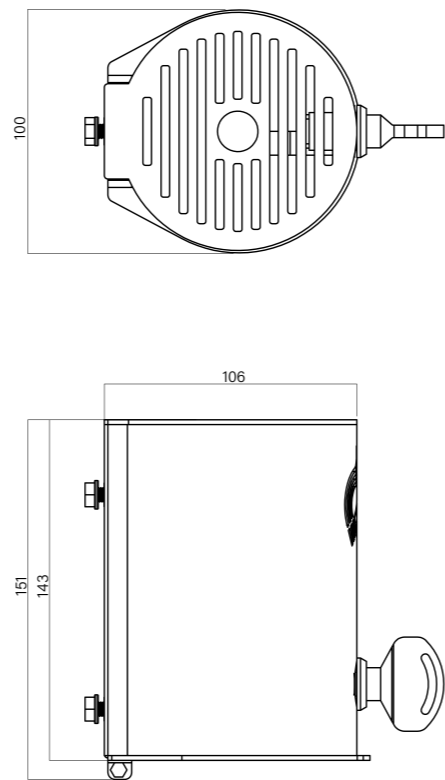


TO



GETTA SIGARETTE ASHTRAYS

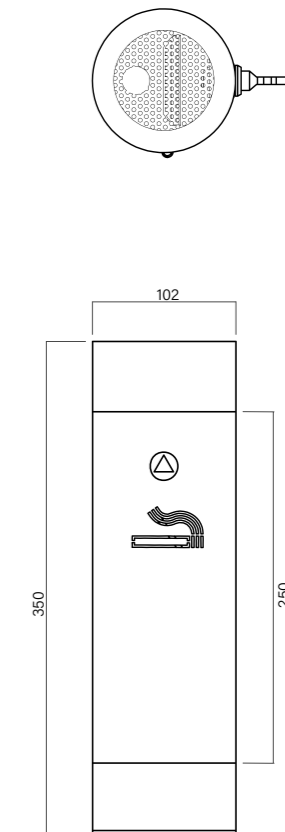
ASH BIN



GETTASIGARETTE / ASHTRAY

CODE: UL - GST - 001
DIMENSIONS: Ø 100 W 106 H 143
MATERIAL: STEEL

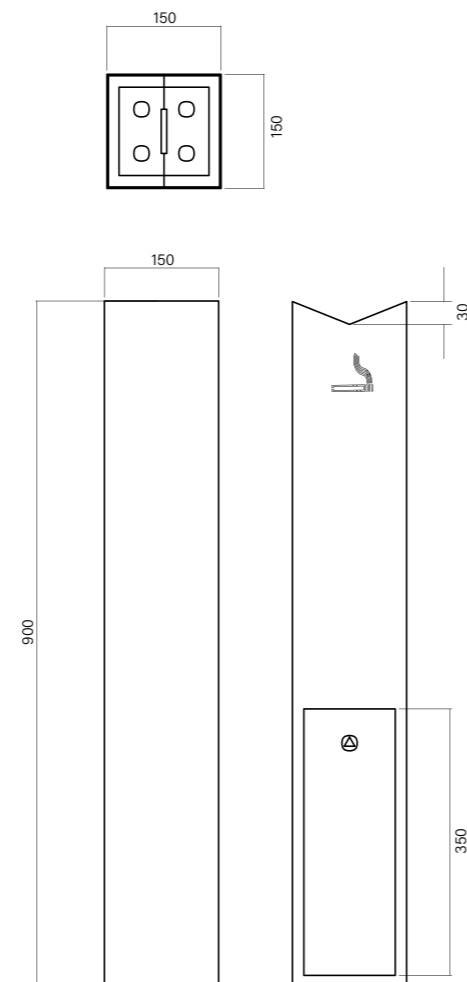
ASH S



GETTASIGARETTE / ASHTRAY

CODE: UL - GST - 002
DIMENSIONS: Ø 102 H 350
MATERIAL: STEEL

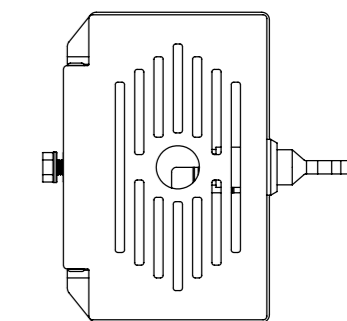
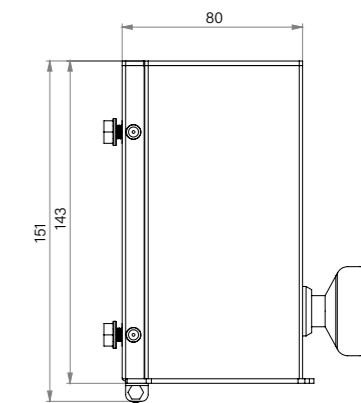
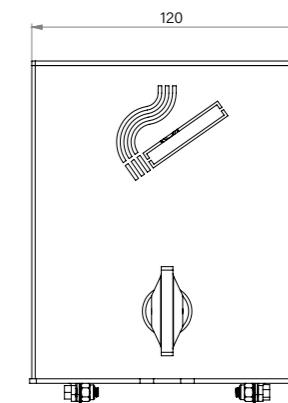
COLUMN



GETTASIGARETTE / ASHTRAY

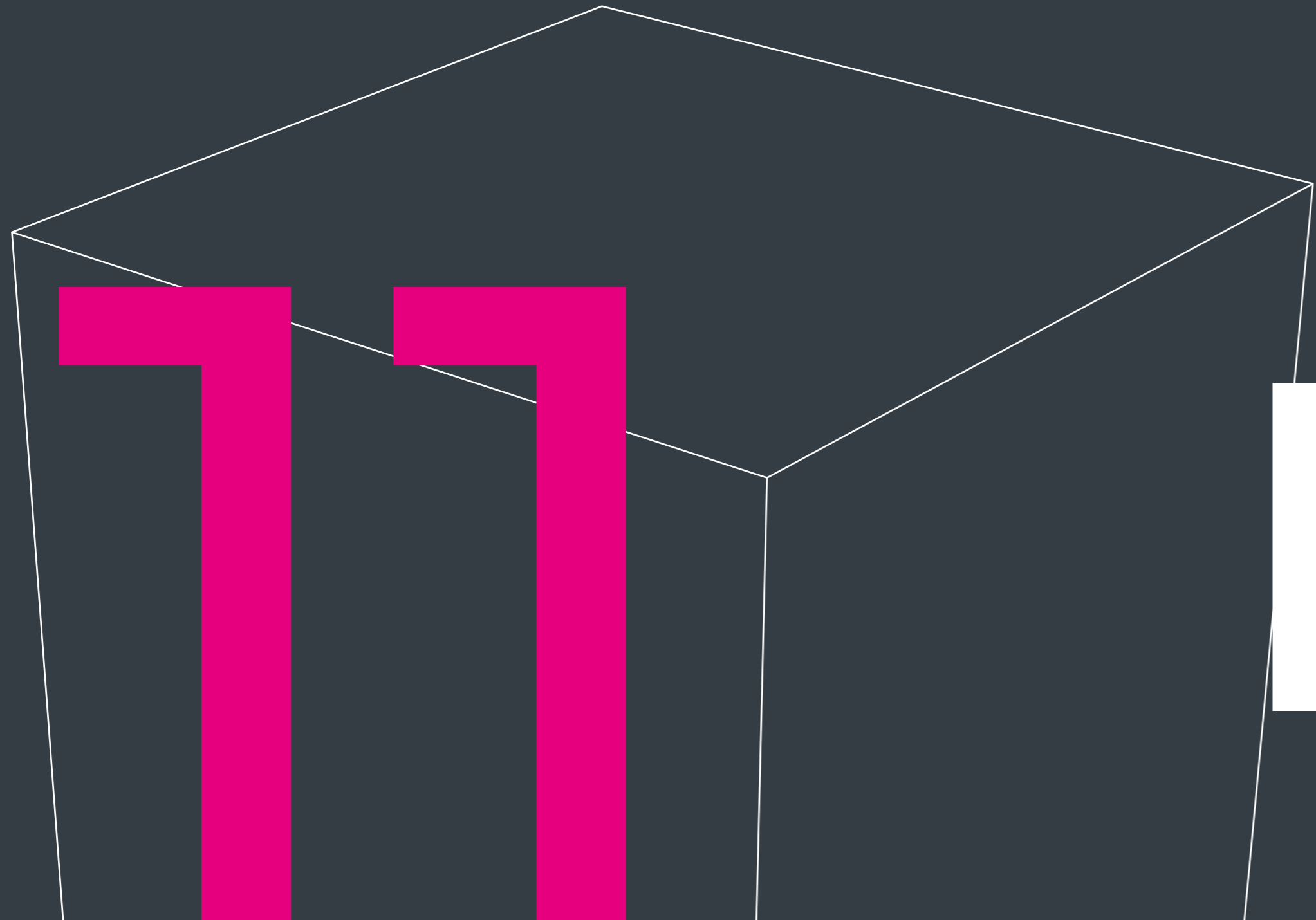
CODE: UL - GST - 004
DIMENSIONS: L 150 W 150 H 900
MATERIAL: STEEL

RECTANGULAR



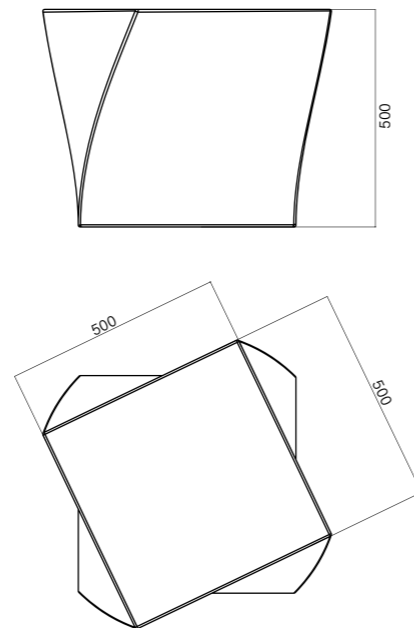
GETTASIGARETTE / ASHTRAY

CODE: UL - GST - 005
DIMENSIONS: L 120 W 80 H 350
MATERIAL: STEEL



DISSUASORI BOLLARDS

TWIST



DISSUASORE / BOLLARD

CODE: UL - DSR - 010
DIMENSIONS: L 500 W 500 H 500
MATERIAL: UHPC - CONCRETE

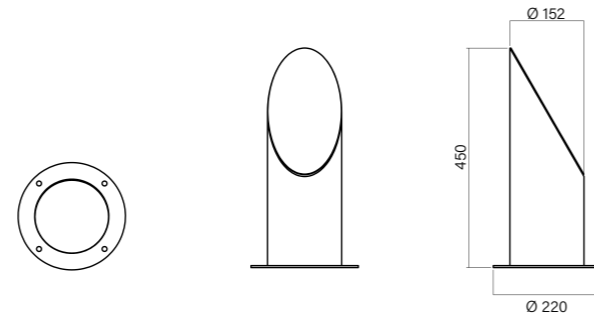


TOP A450

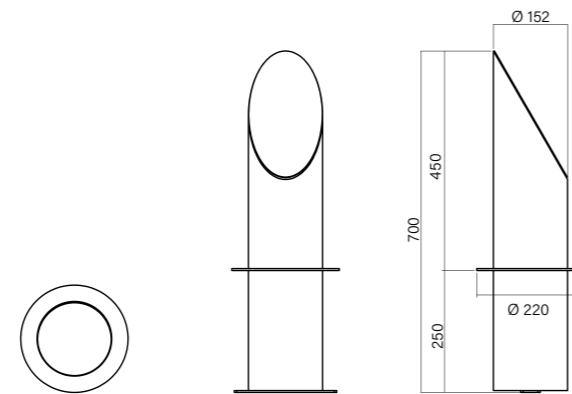


DISSUASORE / BOLLARD

CODE A: UL - DSR - 002 - 4
 CODE B: UL - DSR - 002 - 4C
 DIMENSIONS A: Ø PLATE 220 Ø POLE 152 H 450
 DIMENSIONS B: Ø PLATE 220 Ø POLE 152 H 700
 MATERIAL: STEEL



A CON PIASTRA / WITH PLATE



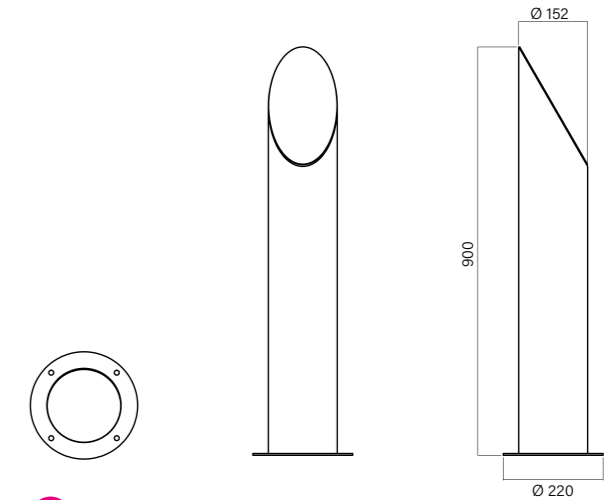
B DA CEMENTARE / TO BE CEMENTED

TOP A900

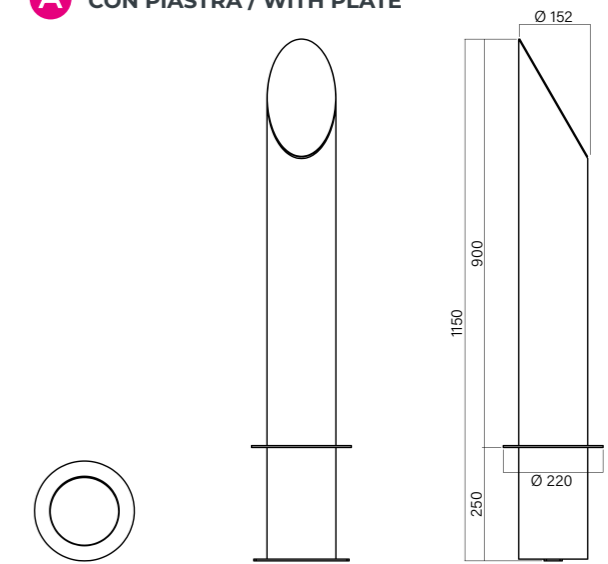


DISSUASORE / BOLLARD

CODE A: UL - DSR - 002 - 9
 CODE B: UL - DSR - 002 - 9C
 DIMENSIONS A: Ø PLATE 220 Ø POLE 152 H 900
 DIMENSIONS B: Ø PLATE 220 Ø POLE 152 H 1150
 MATERIAL: STEEL



A CON PIASTRA / WITH PLATE



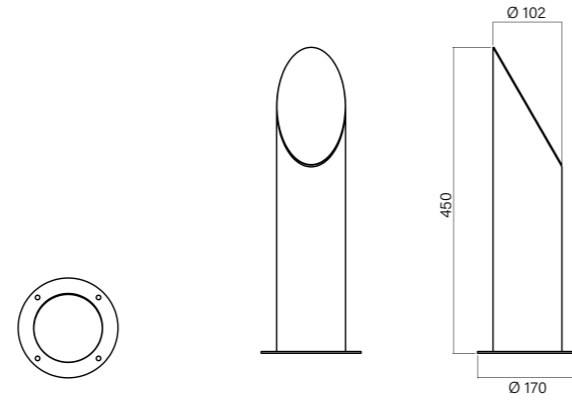
B DA CEMENTARE / TO BE CEMENTED

TOP B450

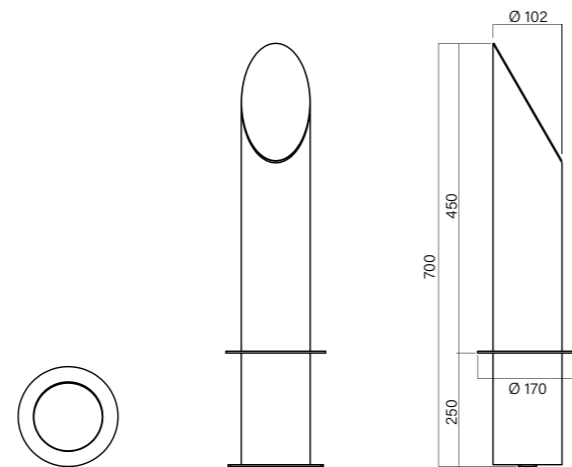


DISSUASORE / BOLLARD

CODE A: UL - DSR - 003 - 4
CODE B: UL - DSR - 003 - 4C
DIMENSIONS A: Ø PLATE 170 Ø POLE 102 H 450
DIMENSIONS B: Ø PLATE 170 Ø POLE 102 H 700
MATERIAL: STEEL



A CON PIASTRA / WITH PLATE



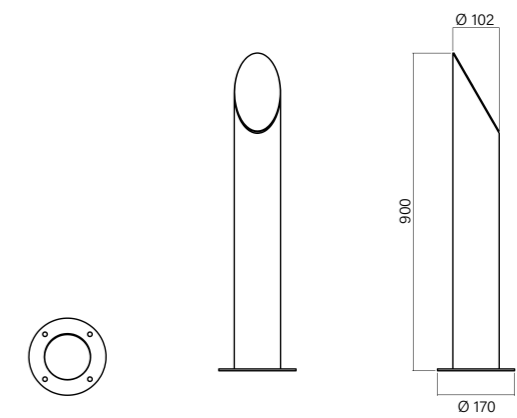
B DA CEMENTARE / TO BE CEMENTED

TOP B900

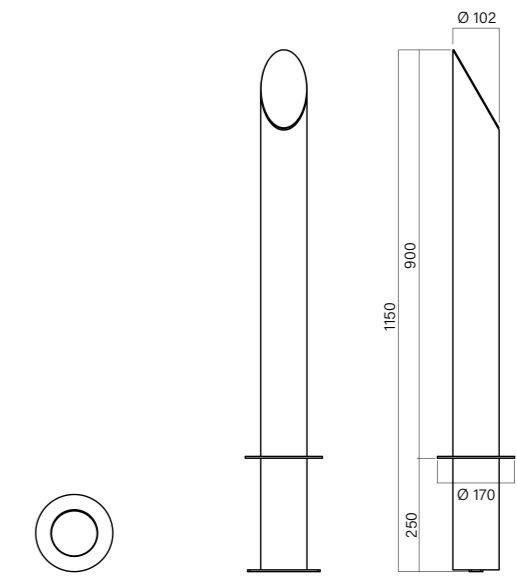


DISSUASORE / BOLLARD

CODE A: UL - DSR - 003 - 9
CODE B: UL - DSR - 003 - 9C
DIMENSIONS A: Ø PLATE 170 Ø POLE 102 H 900
DIMENSIONS B: Ø PLATE 170 Ø POLE 102 H 1150
MATERIAL: STEEL



A CON PIASTRA / WITH PLATE



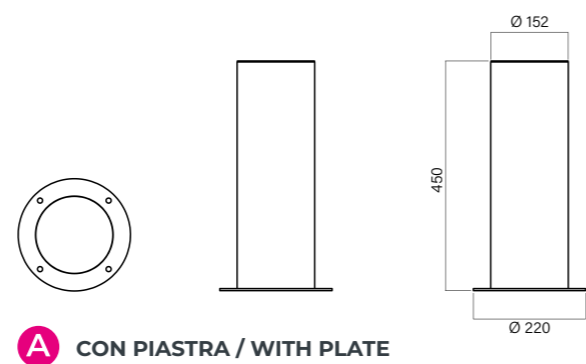
B DA CEMENTARE / TO BE CEMENTED

PRIMO A450

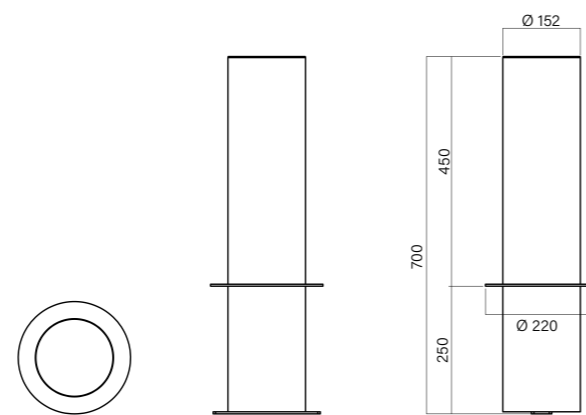


DISSUASORE / BOLLARD

CODE A: UL - DSR - 006 - 4
 CODE B: UL - DSR - 006 - 4C
 DIMENSIONS A: Ø PLATE 220 Ø POLE 152 H 450
 DIMENSIONS B: Ø PLATE 220 Ø POLE 152 H 700
 MATERIAL: STEEL



A CON PIASTRA / WITH PLATE



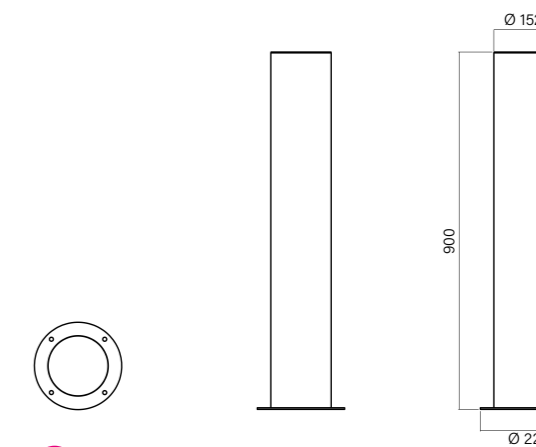
B DA CEMENTARE / TO BE CEMENTED

PRIMO A900

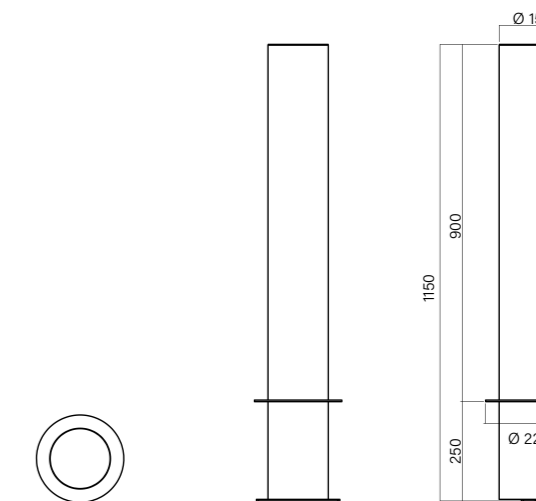


DISSUASORE / BOLLARD

CODE A: UL - DSR - 006 - 9
 CODE B: UL - DSR - 006 - 9C
 DIMENSIONS A: Ø PLATE 220 Ø POLE 152 H 900
 DIMENSIONS B: Ø PLATE 220 Ø POLE 152 H 1150
 MATERIAL: STEEL



A CON PIASTRA / WITH PLATE



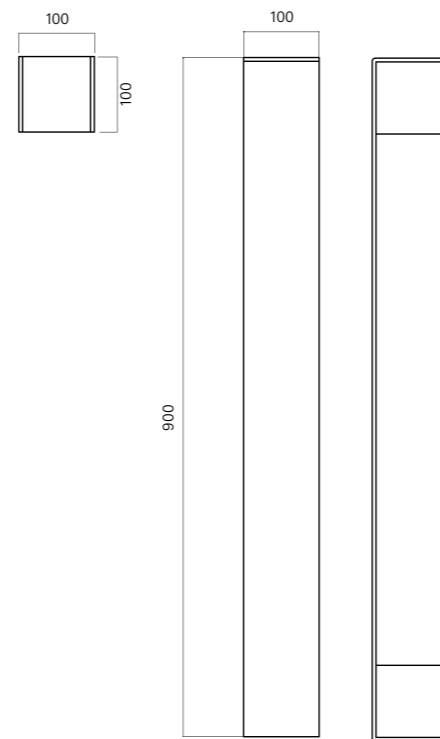
B DA CEMENTARE / TO BE CEMENTED

BRAND



DISSUASORE / BOLLARD

CODE **A**: UL - DSR - 008
 CODE **B**: UL - DSR - 008C
 DIMENSIONS: L 100 W 100 H 900
 MATERIAL: STEEL



A CON PIASTRA / WITH PLATE

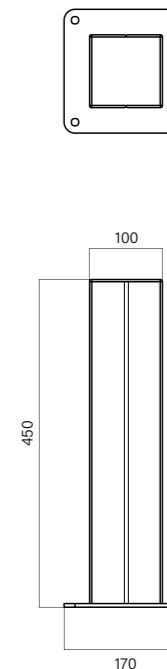
B DA CEMENTARE / TO BE CEMENTED

SQUARE 450



DISSUASORE / BOLLARD

CODE **A**: UL - DSR - 005
 CODE **B**: UL - DSR - 005C
 DIMENSIONS: L 100 W 100 H 450
 MATERIAL: STEEL



A CON PIASTRA / WITH PLATE

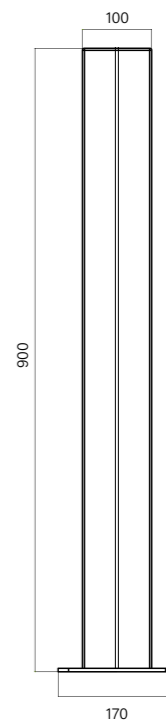
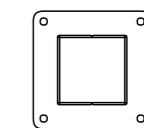
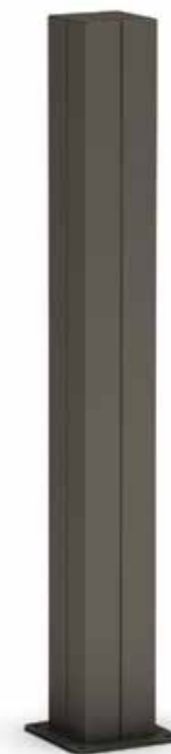
B DA CEMENTARE / TO BE CEMENTED



SQUARE 900

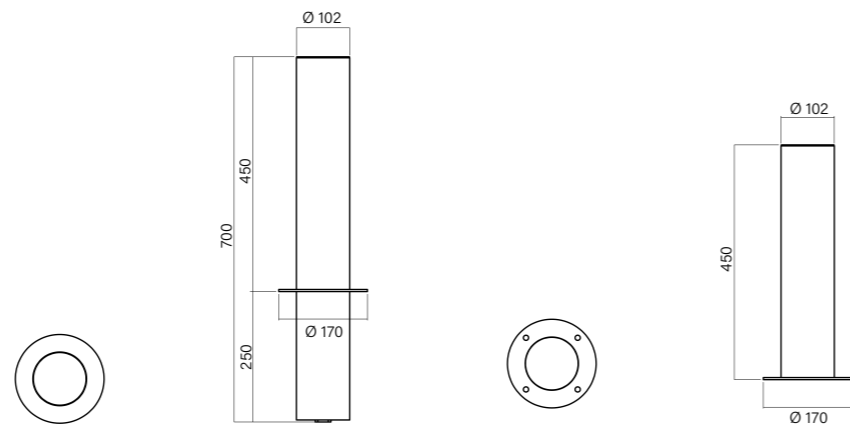
DISSUASORE / BOLLARD

CODE **A**: UL - DSR - 004
CODE **B**: UL - DSR - 004C
DIMENSIONS: L 100 W 100 H 900
MATERIAL: STEEL



- A** CON PIASTRA / WITH PLATE
- B** DA CEMENTARE / TO BE CEMENTED

PRIMO B450

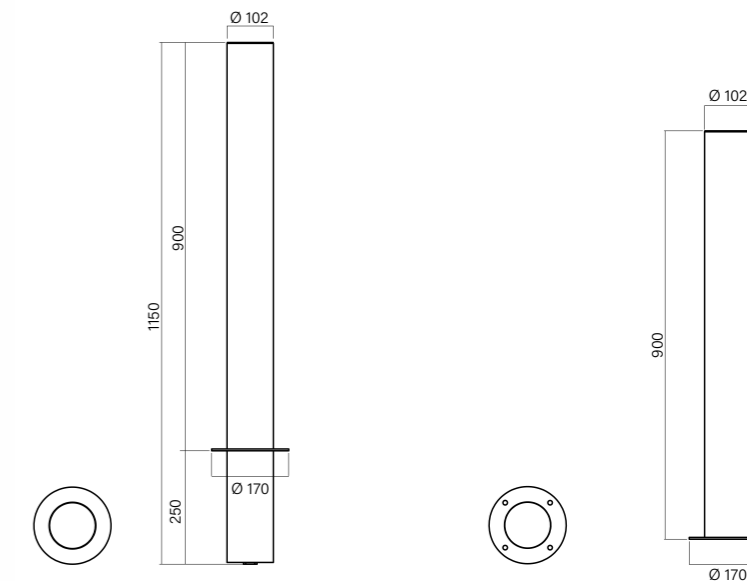


B DA CEMENTARE / TO BE CEMENTED **A** CON PIASTRA / WITH PLATE

DISSUASORE / BOLLARD

CODE **A**: UL - DSR - 007 - 4
 CODE **B**: UL - DSR - 007 - 4C
 DIMENSIONS **A**: Ø PLATE 220 Ø POLE 152 H 450
 DIMENSIONS **B**: Ø PLATE 220 Ø POLE 152 H 700
 MATERIAL: STEEL

PRIMO B900



B DA CEMENTARE / TO BE CEMENTED **A** CON PIASTRA / WITH PLATE

DISSUASORE / BOLLARD

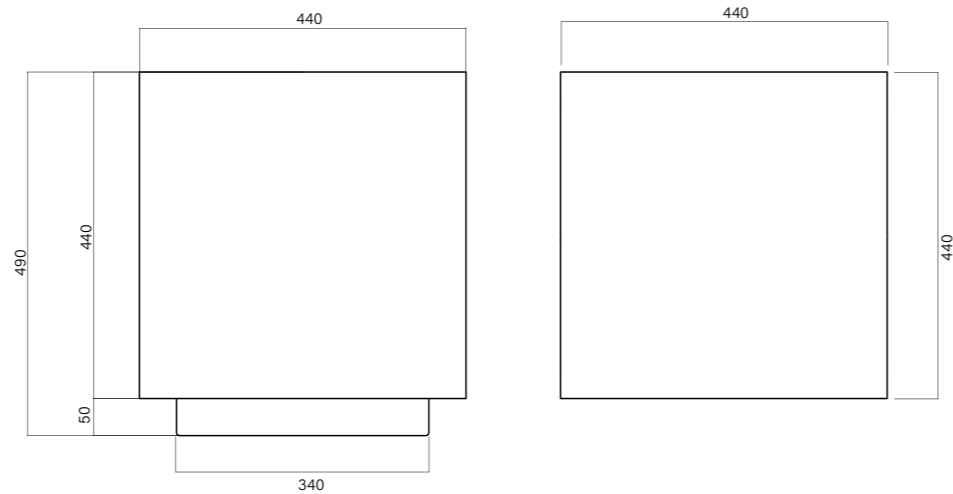
CODE **A**: UL - DSR - 007 - 9
 CODE **B**: UL - DSR - 007 - 9C
 DIMENSIONS **A**: Ø PLATE 220 Ø POLE 152 H 900
 DIMENSIONS **B**: Ø PLATE 220 Ø POLE 152 H 1150
 MATERIAL: STEEL

CUBE

con PIASTRA / with PLATE



OPTIONAL LUCE LED / LED LIGHT
OPTIONAL THE BREATH



DISSUASORE / BOLLARD

CODE: UL - DSR - 009
DIMENSIONS: L 440 W 440 H 490
MATERIAL: STEEL

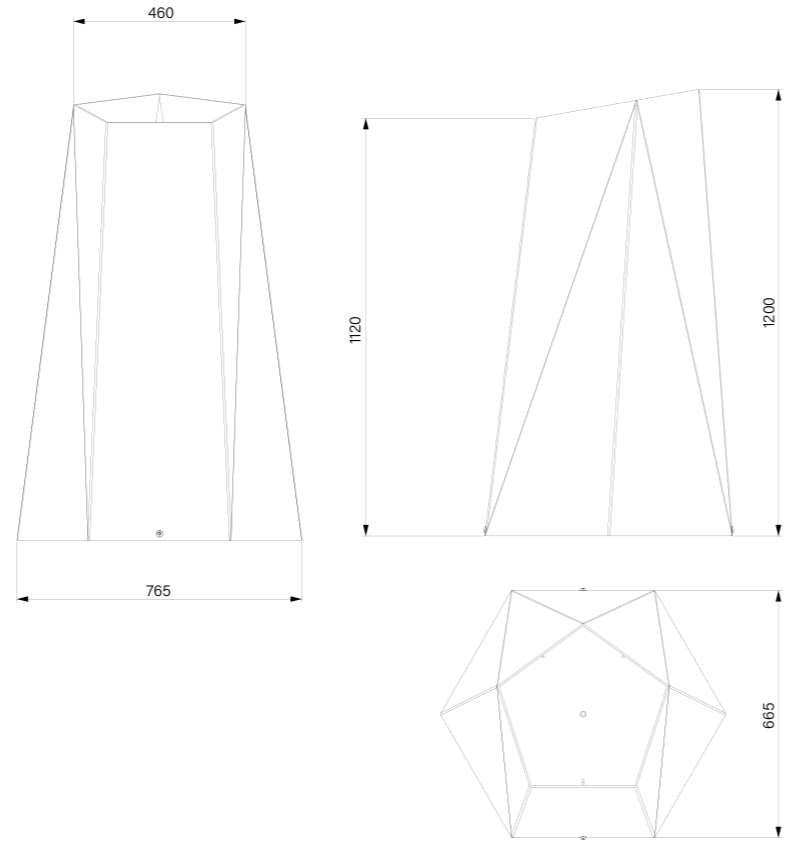


12



FIORIERE PLANTERS

TWIST 1200

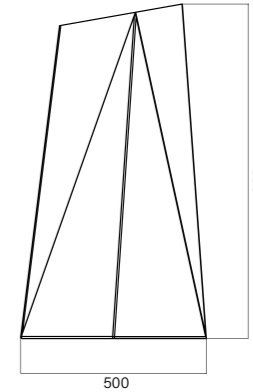
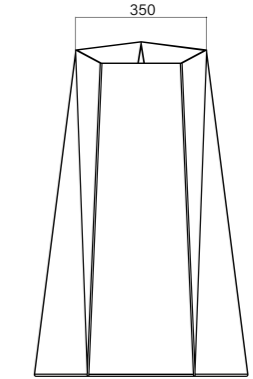
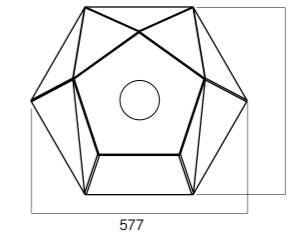


FIORIERA / PLANTER

CODE: UL - FRR - 011
 DIMENSIONS: L 765 W 665 H 1200
 MATERIAL: UHPC - CONCRETE



TWIST 900



FIORIERA / PLANTER

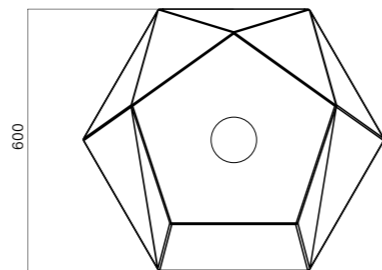
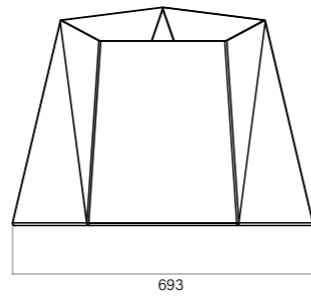
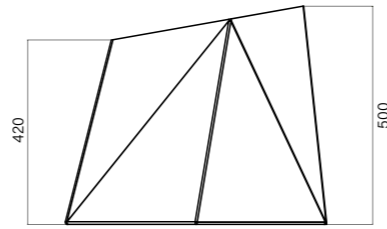
CODE: UL - FRR - 001
DIMENSIONS: L 577 W 500 H 900
MATERIAL: STEEL

TWIST 500



FIORIERA / PLANTER

CODE: UL - FRR - 002
 DIMENSIONS: L 693 W 600 H 500
 MATERIAL: STEEL

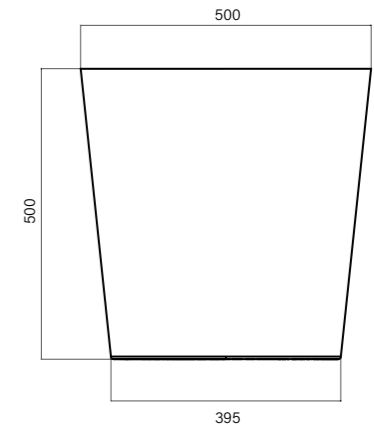
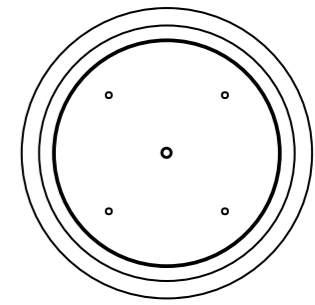


CONE S

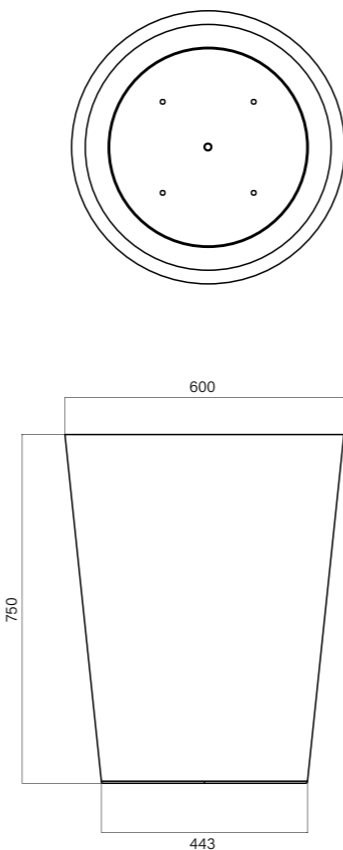


FIORIERA / PLANTER

CODE: UL - FRR - 004
 DIMENSIONS: L 395 W 500 H 500
 MATERIAL: STEEL



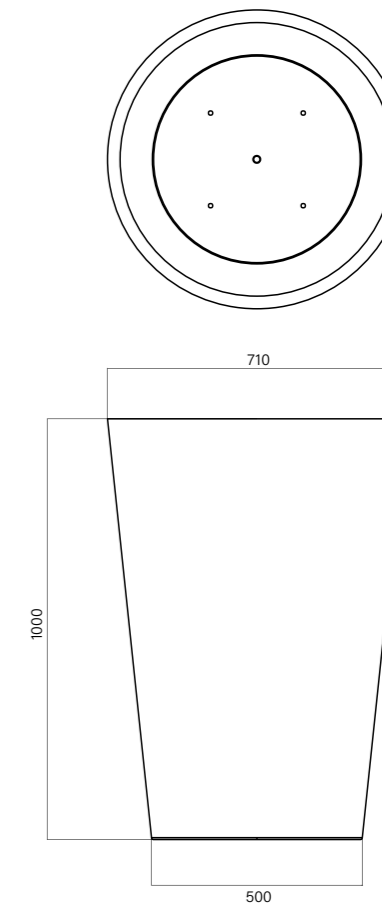
CONE M



FIORIERA / PLANTER

CODE: UL - FRR - 005
DIMENSIONS: L 443 W 600 H 750
MATERIAL: STEEL

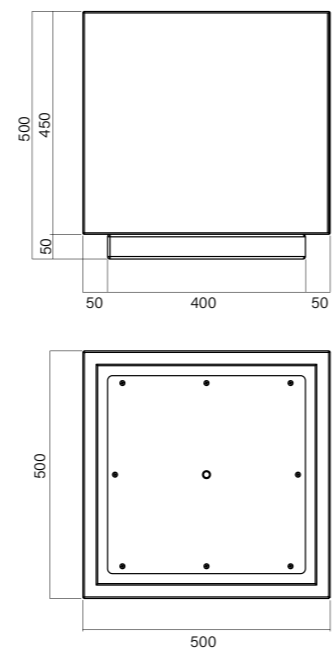
CONE L



FIORIERA / PLANTER

CODE: UL - FRR - 006
DIMENSIONS: L 500 W 710 H 1000
MATERIAL: STEEL

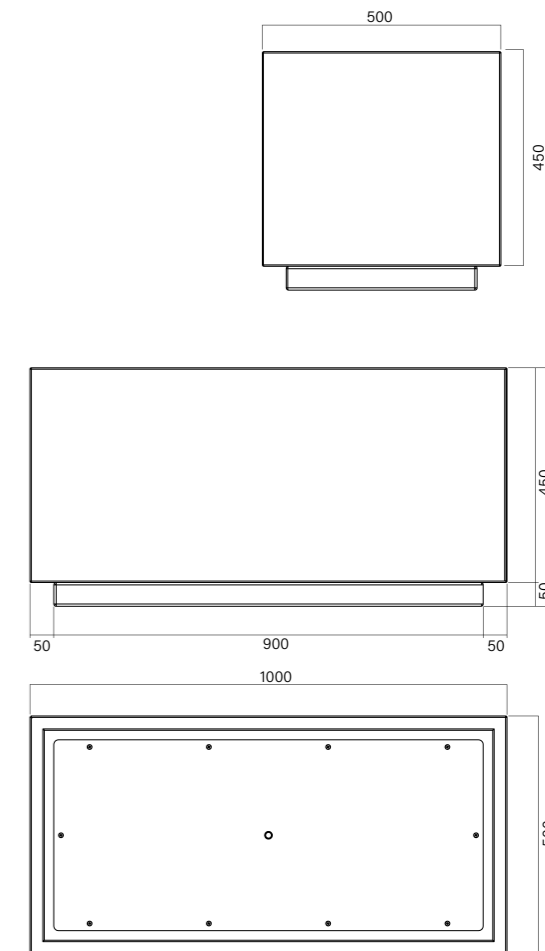
CUBICA A



FIORIERA / PLANTER

CODE: UL - FRR - 007
 DIMENSIONS: L 500 W 500 H 500
 MATERIAL: STEEL

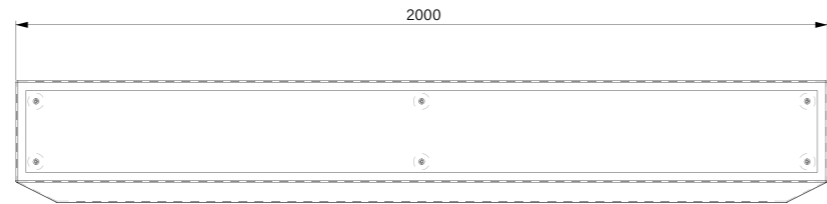
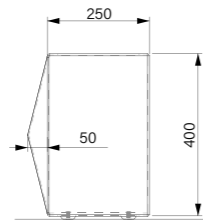
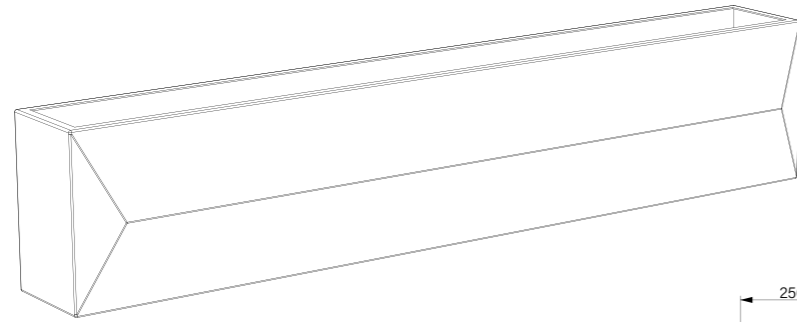
CUBICA B



FIORIERA / PLANTER

CODE: UL - FRR - 008
 DIMENSIONS: L 1000 W 500 H 500
 MATERIAL: STEEL

DIAMOND



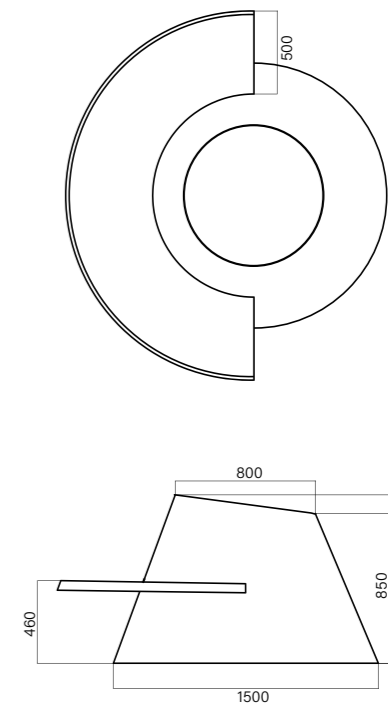
FIORIERA / PLANTER

CODE: UL - FRR - 009
DIMENSIONS: L 2000 W 300 H 400
MATERIAL: STEEL





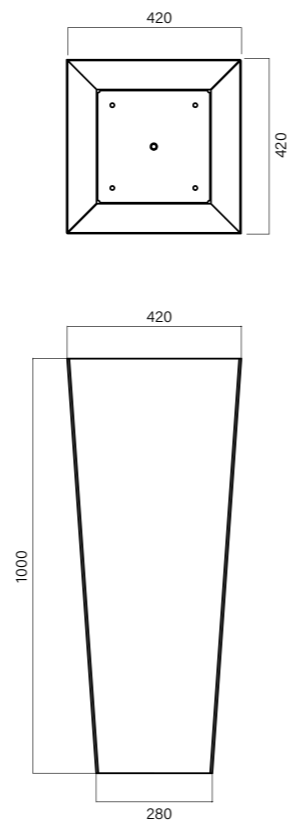
CONE PLUS



FIORIERA / PLANTER

CODE: UL - FRR - 010
DIMENSIONS: L 1500 W 800 H 950
MATERIAL: STEEL / WOOD

PIN UP



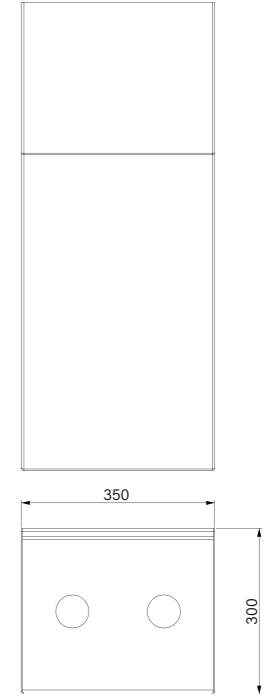
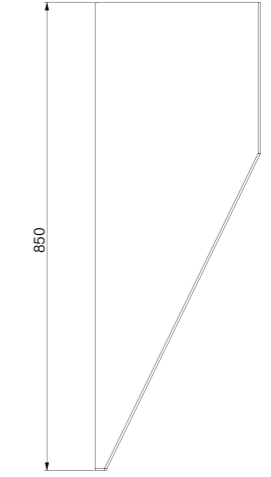
FIORIERA / PLANTER

CODE: UL - FRR - 003
 DIMENSIONS: L 420 W 420 H 1000
 MATERIAL: STEEL





WALL



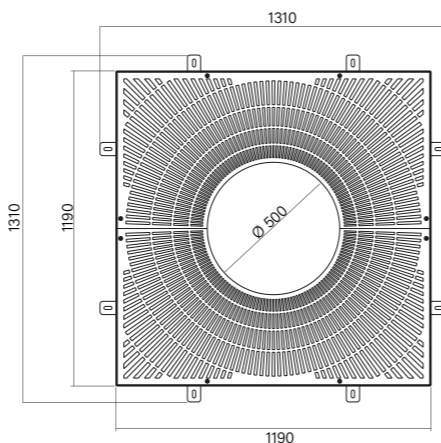
FIORIERA / PLANTER

CODE: UL - FRR - 5000
DIMENSIONS: L 350 W 300 H 850
MATERIAL: STEEL



SALVAPIANTE TREEGUARDS

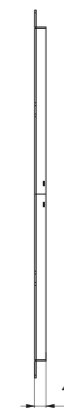
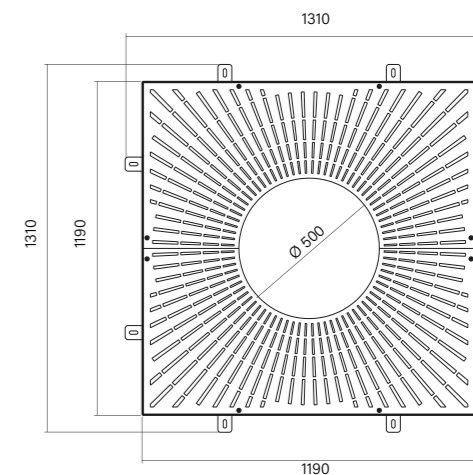
LINE 1



SALVAPIANTA / TREGUARD

CODE **A:** UL-SLP-003-A
CODE **B:** UL-SLP-003-B
CODE **C:** UL-SLP-003-C
CODE **D:** UL-SLP-003-D
CODE **E:** UL-SLP-003-E
CODE **F:** UL-SLP-003-F
DIMENSIONS **A:** L 735 W 735 Ø 320
DIMENSIONS **B:** L 990 W 990 Ø 500
DIMENSIONS **C:** L 1190 W 1190 Ø 500
DIMENSIONS **D:** L 1190 W 1190 Ø 800
DIMENSIONS **E:** L 1440 W 1440 Ø 800
DIMENSIONS **F:** L 1990 W 1990 Ø 800
MATERIAL: STEEL

LINE 2

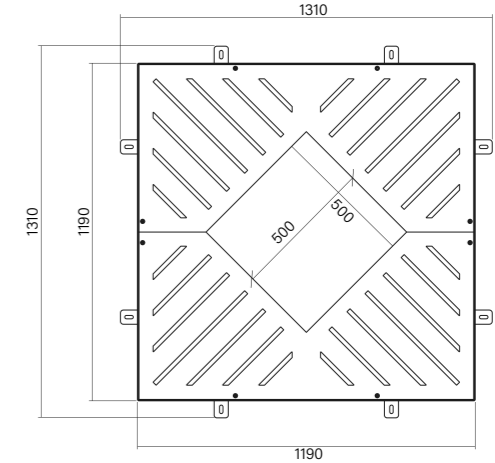


SALVAPIANTA / TREGUARD

CODE **A:** UL-SLP-005-A
CODE **B:** UL-SLP-005-B
CODE **C:** UL-SLP-005-C
CODE **D:** UL-SLP-005-D
CODE **E:** UL-SLP-005-E
CODE **F:** UL-SLP-005-F
DIMENSIONS **A:** L 735 W 735 Ø 320
DIMENSIONS **B:** L 990 W 990 Ø 500
DIMENSIONS **C:** L 1190 W 1190 Ø 500
DIMENSIONS **D:** L 1190 W 1190 Ø 800
DIMENSIONS **E:** L 1440 W 1440 Ø 800
DIMENSIONS **F:** L 1990 W 1990 Ø 800
MATERIAL: STEEL



LINE 3



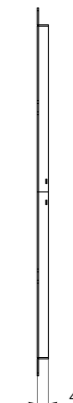
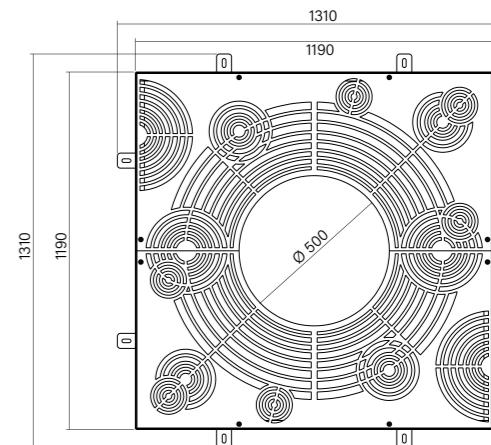
SALVAPIANTA / TREGUARD

CODE A:	UL-SLP-004-A
CODE B:	UL-SLP-004-B
CODE C:	UL-SLP-004-C
CODE D:	UL-SLP-004-D
CODE E:	UL-SLP-004-E
CODE F:	UL-SLP-004-F
DIMENSIONS A:	L 735 W 735 f./h. 320 x 320
DIMENSIONS B:	L 990 W 990 f./h. 500 x 500
DIMENSIONS C:	L 1190 W 1190 f./h. 500 x 500
DIMENSIONS D:	L 1190 W 1190 f./h. 800 x 800
DIMENSIONS E:	L 1440 W 1440 f./h. 800 x 800
DIMENSIONS F:	L 1990 W 1990 f./h. 800 x 800
MATERIAL:	STEEL





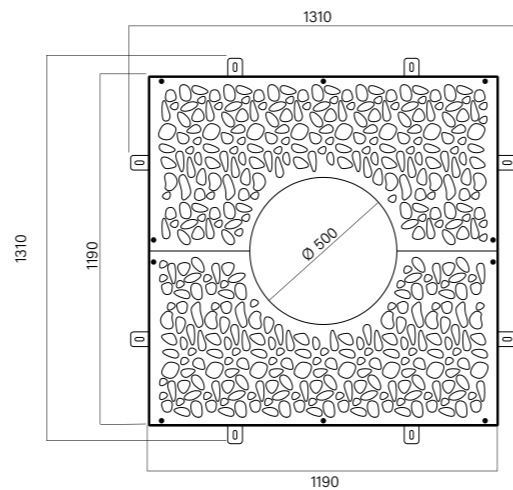
DROP



SALVAPIANTA / TREGUARD

CODE A:	UL-SLP-001-A
CODE B:	UL-SLP-001-B
CODE C:	UL-SLP-001-C
CODE D:	UL-SLP-001-D
CODE E:	UL-SLP-001-E
CODE F:	UL-SLP-001-F
DIMENSIONS A:	L 735 W 735 Ø 320
DIMENSIONS B:	L 990 W 990 Ø 500
DIMENSIONS C:	L 1190 W 1190 Ø 500
DIMENSIONS D:	L 1190 W 1190 Ø 800
DIMENSIONS E:	L 1440 W 1440 Ø 800
DIMENSIONS F:	L 1990 W 1990 Ø 800
MATERIAL:	STEEL

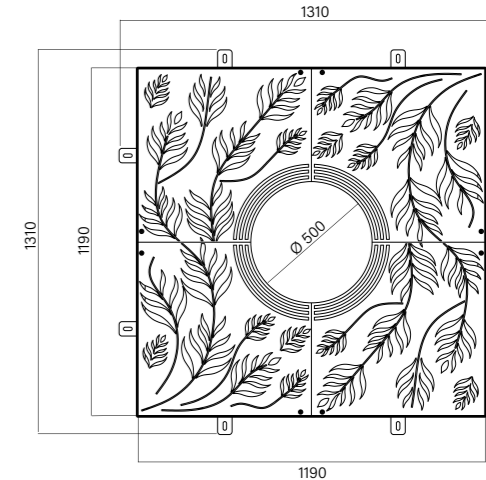
CLAPS



SALVAPIANTA / TREGUARD

- CODE A: UL-SLP-007-A
- CODE B: UL-SLP-007-B
- CODE C: UL-SLP-007-C
- CODE D: UL-SLP-007-D
- CODE E: UL-SLP-007-E
- CODE F: UL-SLP-007-F
- DIMENSIONS A: L 735 W 735 Ø 320
- DIMENSIONS B: L 990 W 990 Ø 500
- DIMENSIONS C: L 1190 W 1190 Ø 500
- DIMENSIONS D: L 1190 W 1190 Ø 800
- DIMENSIONS E: L 1440 W 1440 Ø 800
- DIMENSIONS F: L 1990 W 1990 Ø 800
- MATERIAL: STEEL

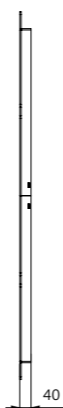
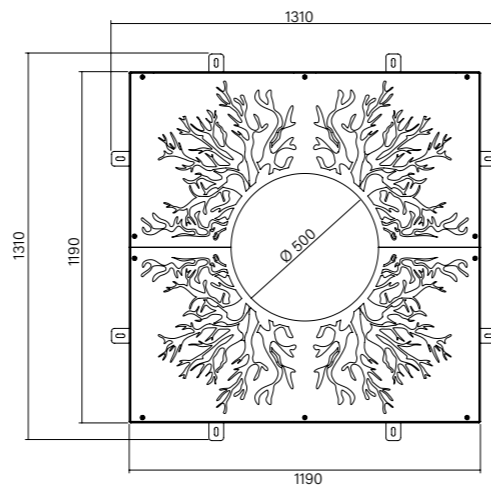
LEAFS



SALVAPIANTA / TREGUARD

- CODE A: UL-SLP-002-A
- CODE B: UL-SLP-002-B
- CODE C: UL-SLP-002-C
- CODE D: UL-SLP-002-D
- CODE E: UL-SLP-002-E
- CODE F: UL-SLP-002-F
- DIMENSIONS A: L 735 W 735 Ø 320
- DIMENSIONS B: L 990 W 990 Ø 500
- DIMENSIONS C: L 1190 W 1190 Ø 500
- DIMENSIONS D: L 1190 W 1190 Ø 800
- DIMENSIONS E: L 1440 W 1440 Ø 800
- DIMENSIONS F: L 1990 W 1990 Ø 800
- MATERIAL: STEEL

ROOTS



SALVAPIANTA / TREGUARD

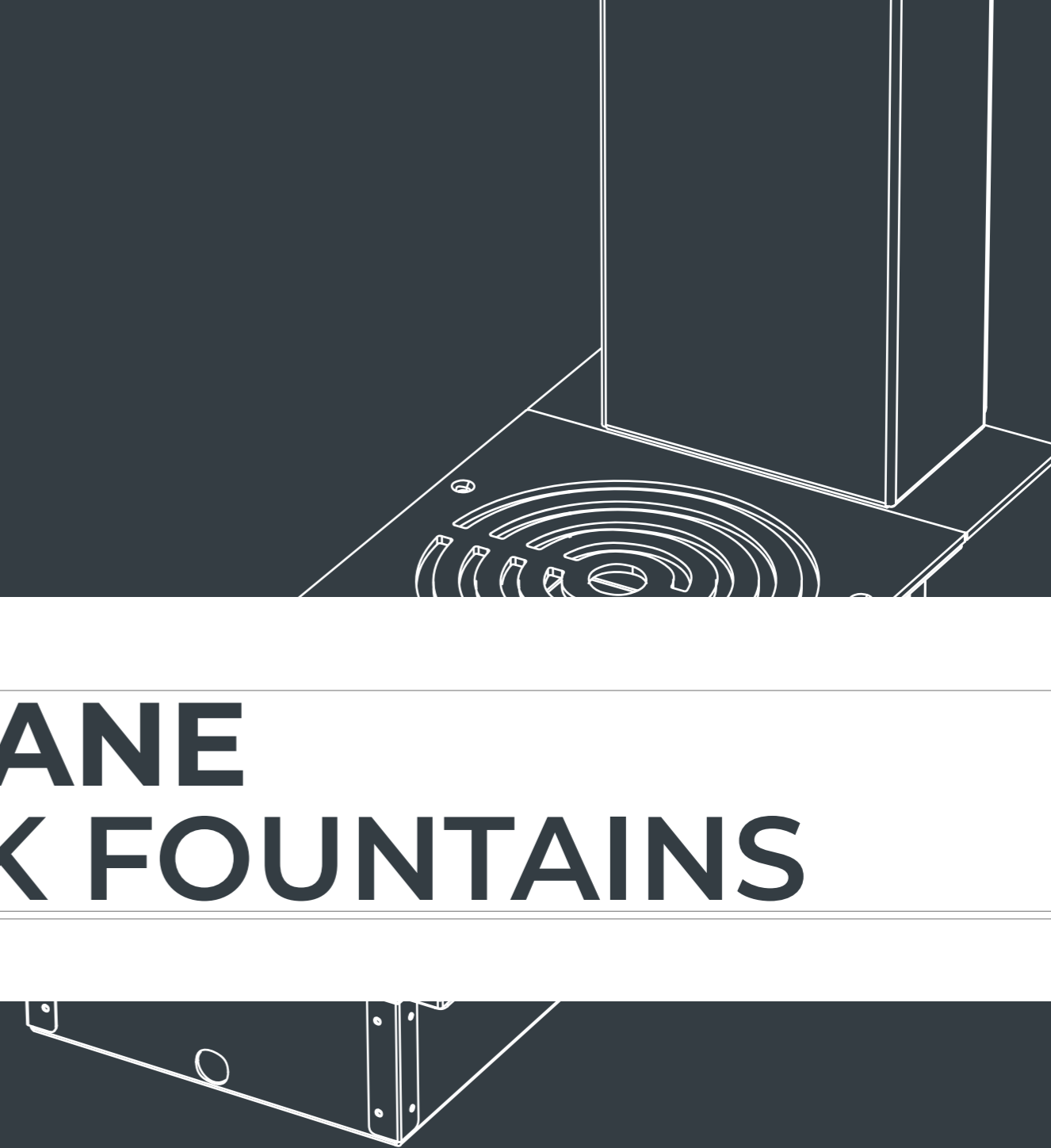
CODE A:	UL-SLP-006-A
CODE B:	UL-SLP-006-B
CODE C:	UL-SLP-006-C
CODE D:	UL-SLP-006-D
CODE E:	UL-SLP-006-E
CODE F:	UL-SLP-006-F
DIMENSIONS A:	L 735 W 735 Ø 320
DIMENSIONS B:	L 990 W 990 Ø 500
DIMENSIONS C:	L 1190 W 1190 Ø 500
DIMENSIONS D:	L 1190 W 1190 Ø 800
DIMENSIONS E:	L 1440 W 1440 Ø 800
DIMENSIONS F:	L 1990 W 1990 Ø 800
MATERIAL:	STEEL



74+

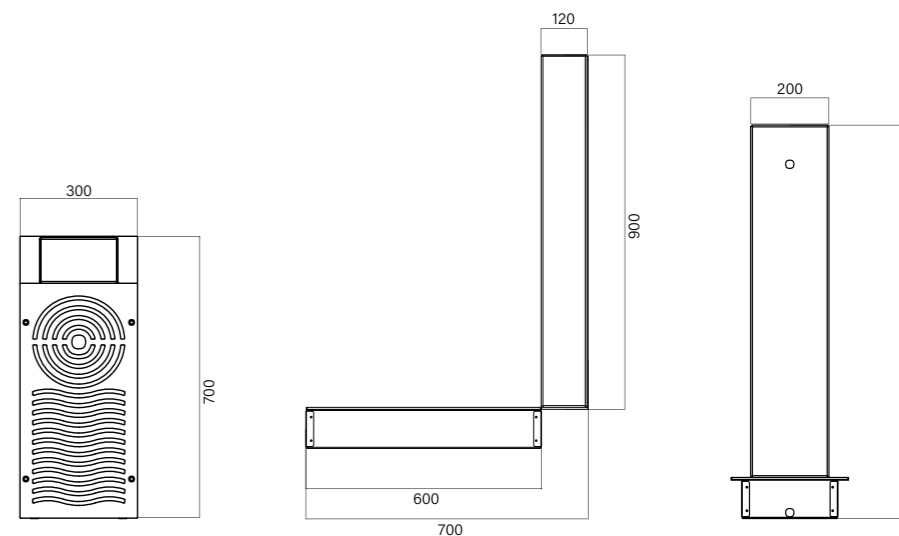


FONTANE DRINK FOUNTAINS





CLEAN

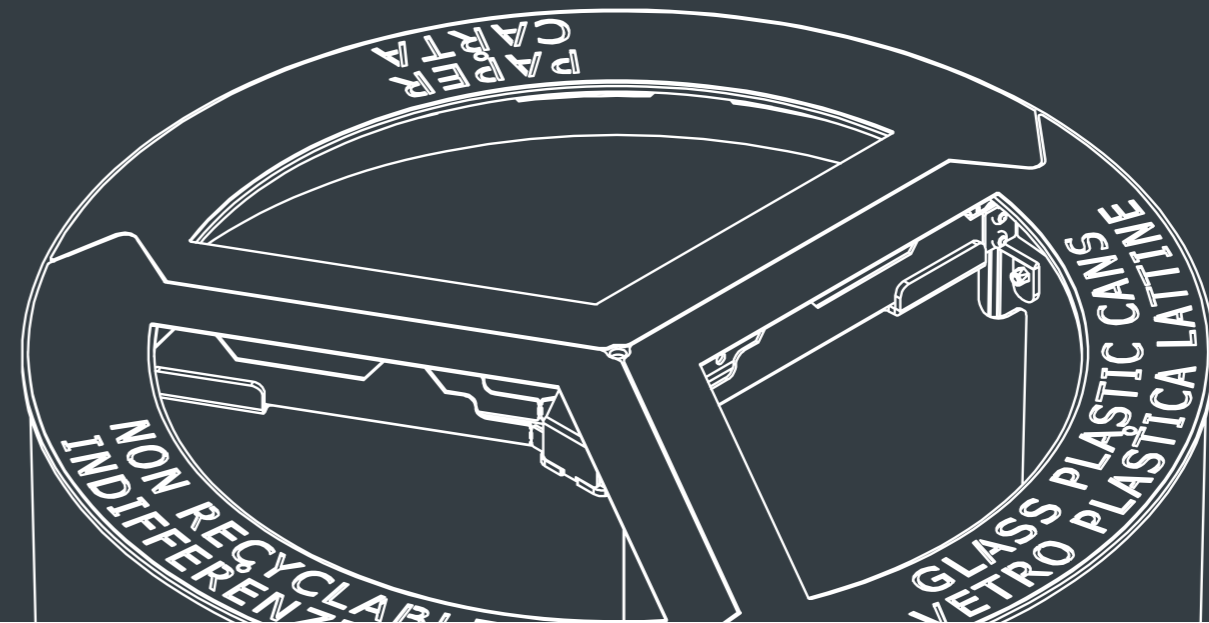


FONTANA / DRINK FOUNTAIN

CODE: UL - FNT - 001
DIMENSIONS: L 300 W 700 H 900
MATERIAL: STEEL

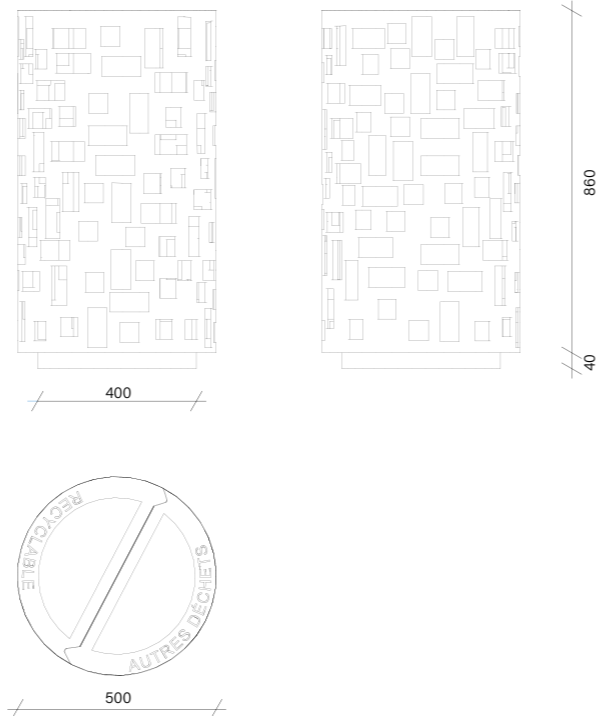
15

CESTINI PER LA RACCOLTA DIFFERENZIATA RECYCLING BINS



PIXEL 2

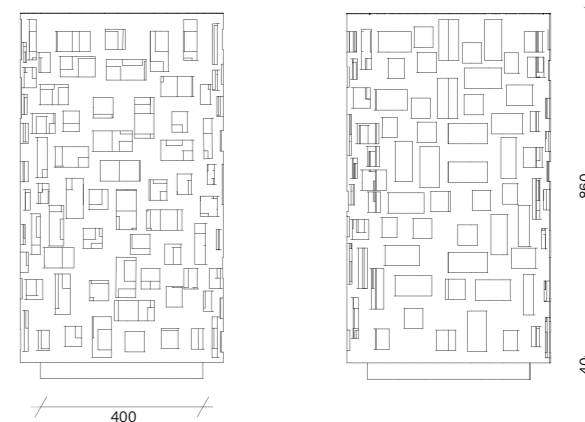
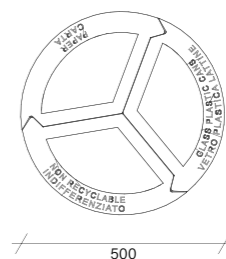
 OPTIONAL WITH TOP



CESTINO / LITTER BIN

CODE: UL - CST - 0212
DIMENSIONS: Ø 500 H 860
CAPACITY: 60L x2
MATERIAL: STEEL

PIXEL 3

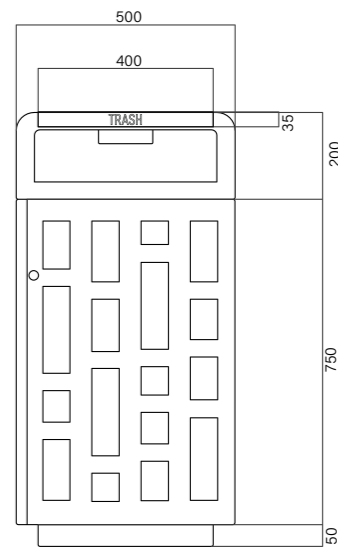
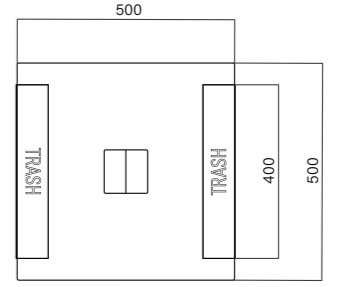


CESTINO / LITTER BIN

CODE: UL - CST - 0213
DIMENSIONS: Ø 500 H 860
CAPACITY: 40L x3
MATERIAL: STEEL



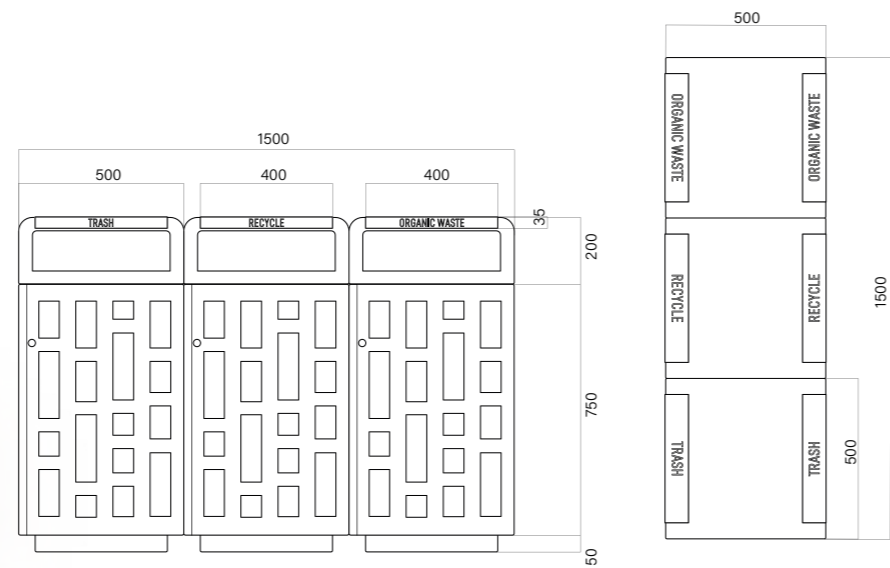
CCF 2



CESTINO / LITTER BIN

CODE: UL - CST - CCF2
DIMENSIONS: L 500 W 500 H 1000
CAPACITY: 55L x2
MATERIAL: STEEL WITH CONCRETE BASE

CCF 3



CESTINO / LITTER BIN

CODE: UL - CST - CCF3
DIMENSIONS: L 500 W 500 H 1000
CAPACITY: 110L x3
MATERIAL: STEEL WITH CONCRETE BASE

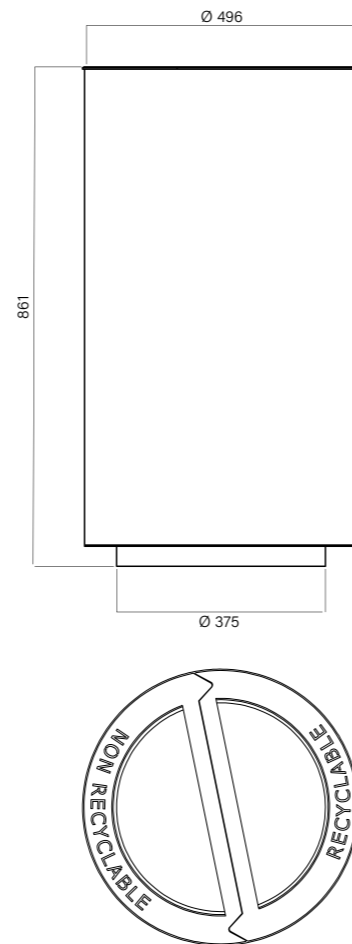


RECYBIN 2



CESTINO / LITTER BIN

CODE: UL - CST - 002
DIMENSIONS: Ø 496 H 861
CAPACITY: 60L x2
MATERIAL: STEEL

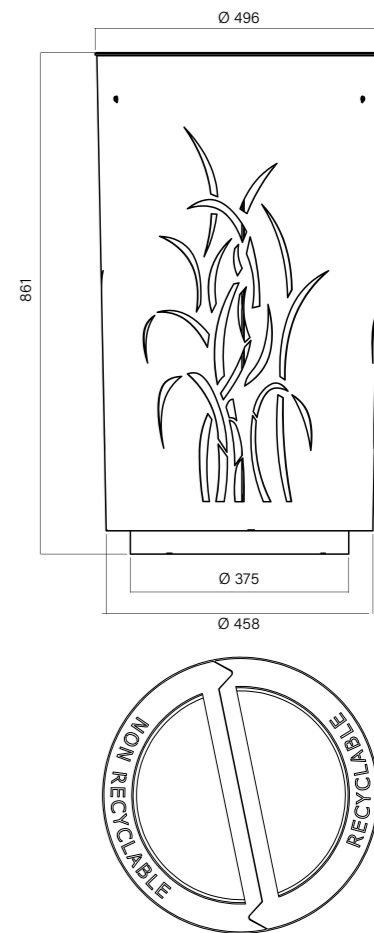


RECYBIN GRASS 2



CESTINO / LITTER BIN

CODE: UL - CST - 006
DIMENSIONS: Ø 496 H 861
CAPACITY: 60L x2
MATERIAL: STEEL

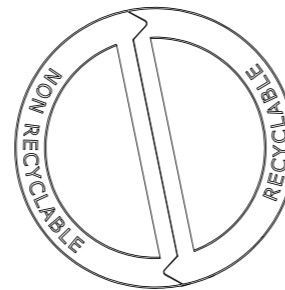
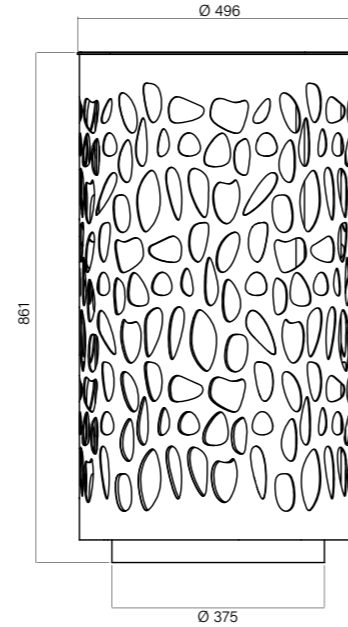


RECYBIN CLAPS 2



CESTINO / LITTER BIN

CODE: UL - CST - 007
 DIMENSIONS: Ø 496 H 861
 CAPACITY: 60L x2
 MATERIAL: STEEL

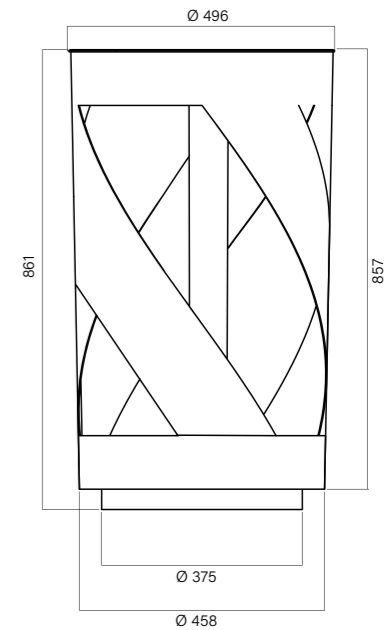




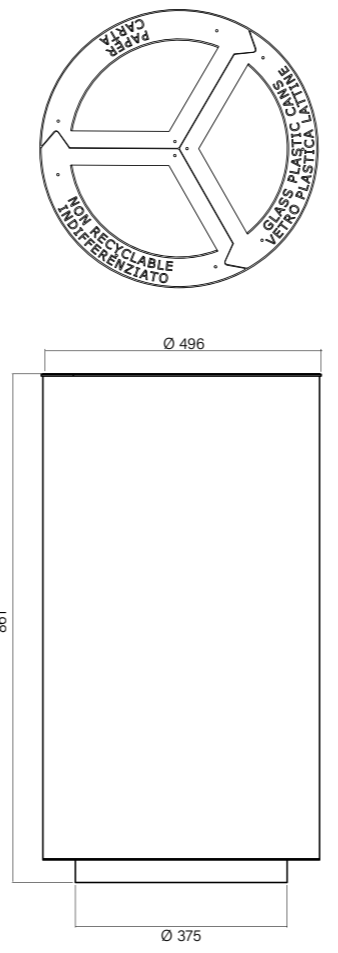
RECYBIN VP 2

CESTINO / LITTER BIN

CODE: UL - CST - 010
DIMENSIONS: Ø 496 H 861
CAPACITY: 60L x2
MATERIAL: STEEL



RECYBIN 3



CESTINO / LITTER BIN

CODE: UL - CST - 001
DIMENSIONS: Ø 496 H 861
CAPACITY: 40L X3
MATERIAL: STEEL

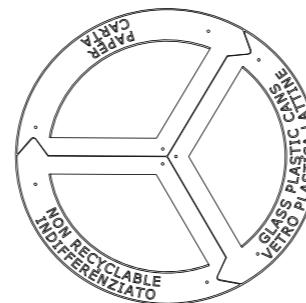
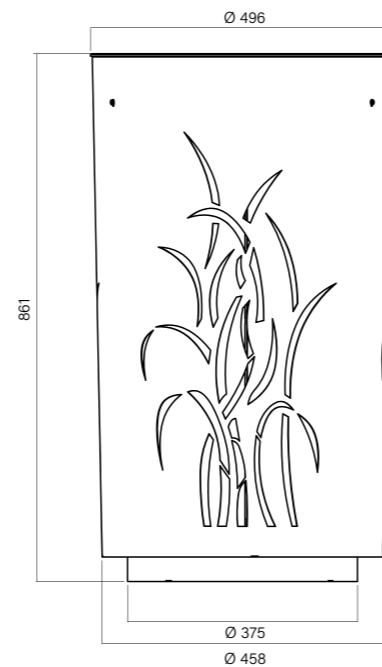


RECYBIN GRASS 3



CESTINO / LITTER BIN

CODE: UL - CST - 005
 DIMENSIONS: Ø 496 H 861
 CAPACITY: 40L X3
 MATERIAL: STEEL

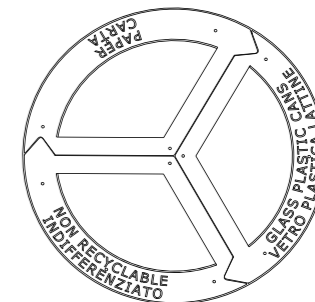
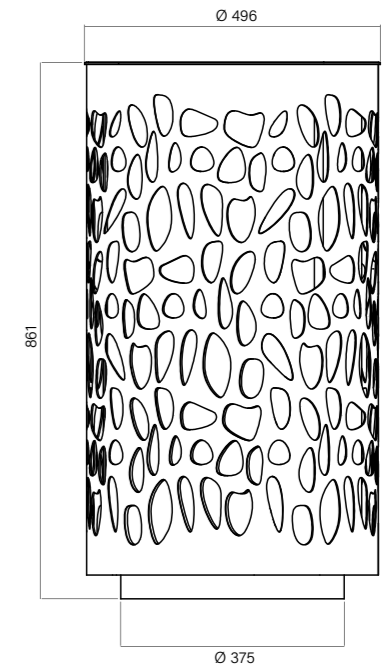


RECYBIN GLAPS 3



CESTINO / LITTER BIN

CODE: UL - CST - 008
 DIMENSIONS: Ø 496 H 861
 CAPACITY: 40L X3
 MATERIAL: STEEL

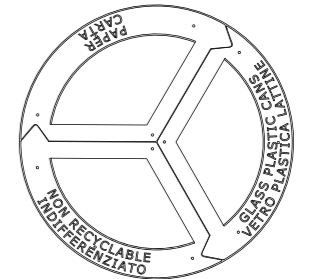
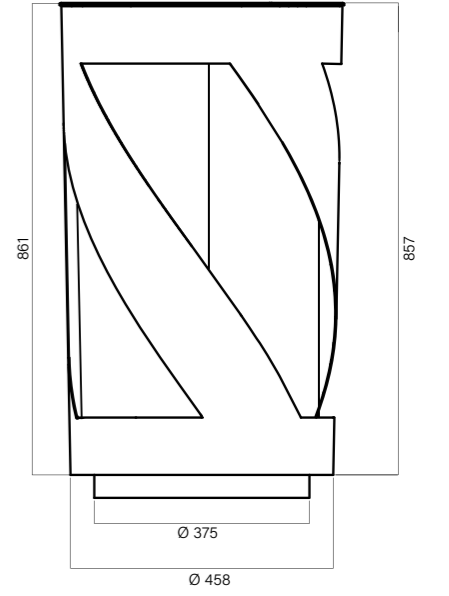




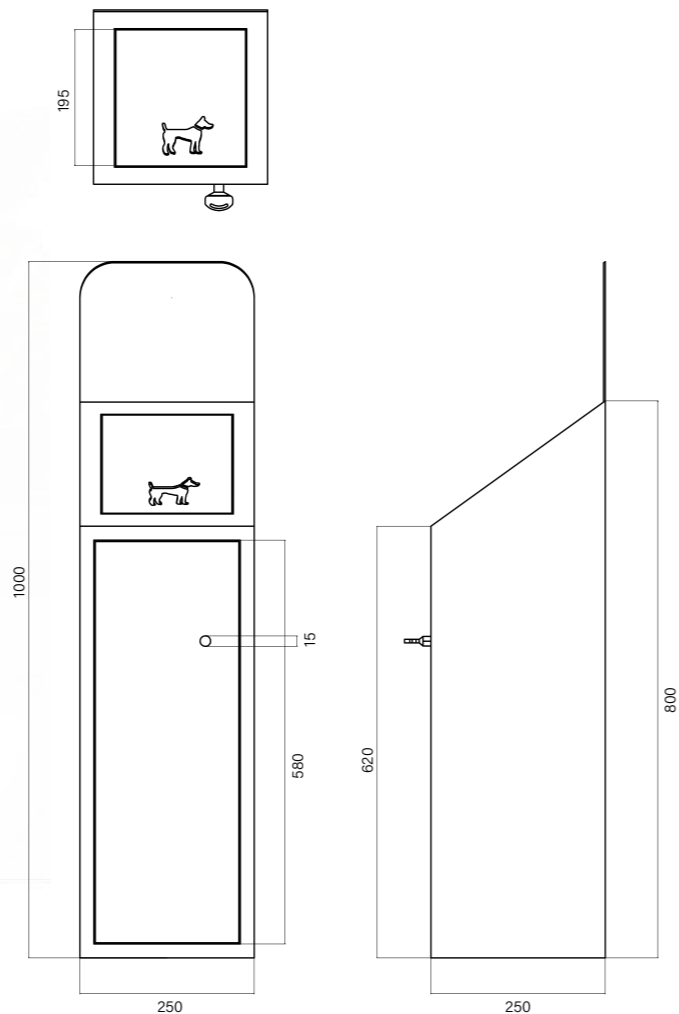
RECYBIN VP 3

CESTINO / LITTER BIN

CODE: UL - CST - 011
DIMENSIONS: Ø 496 H 861
CAPACITY: 40L X3
MATERIAL: STEEL



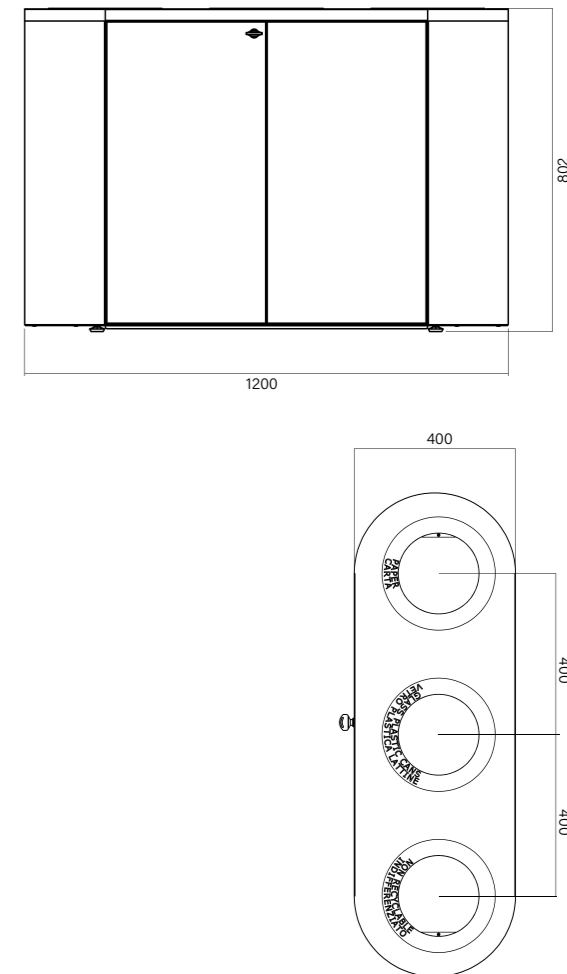
WILLY



CESTINO / LITTER BIN

CODE: UL - CST - 036
DIMENSIONS: L 250 W 250 H 1000
CAPACITY: 30L
MATERIAL: STEEL

AIR



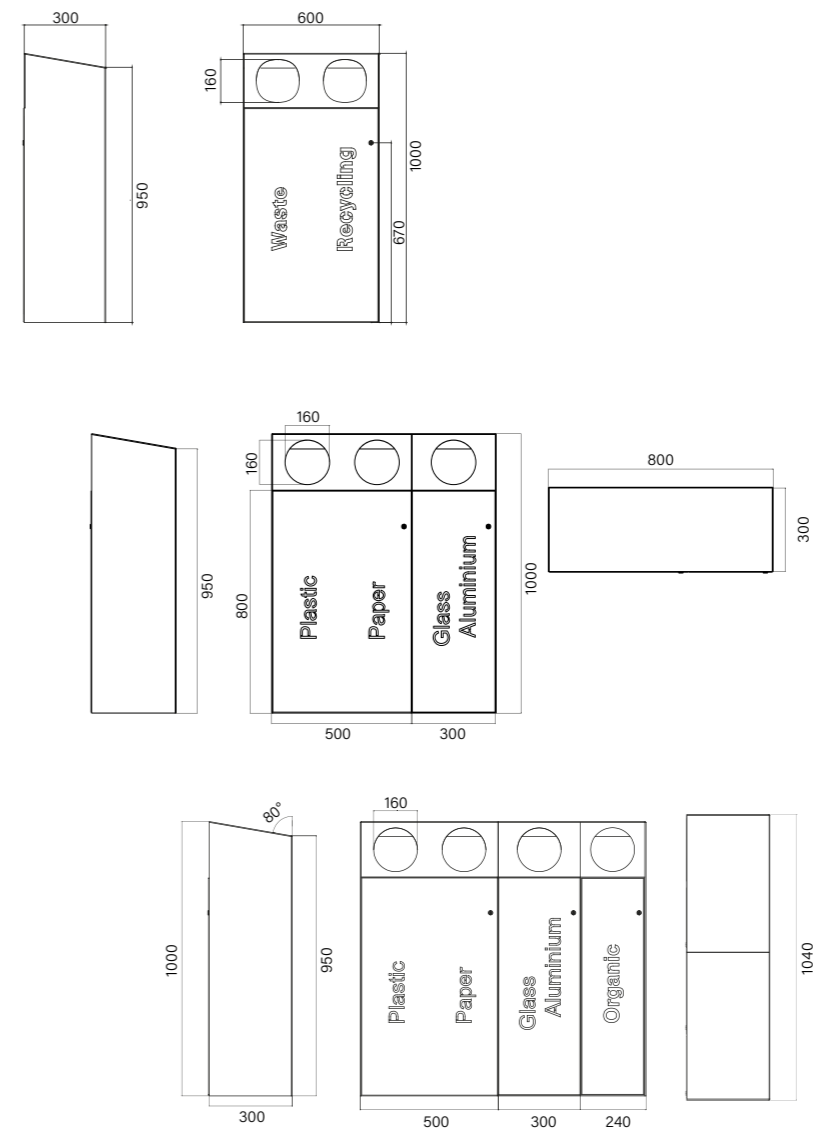
CESTINO / LITTER BIN

CODE: UL - CST - 009
DIMENSIONS: L 1200 W 400 H 802
CAPACITY: 85L X3
MATERIAL: STEEL

DUBY

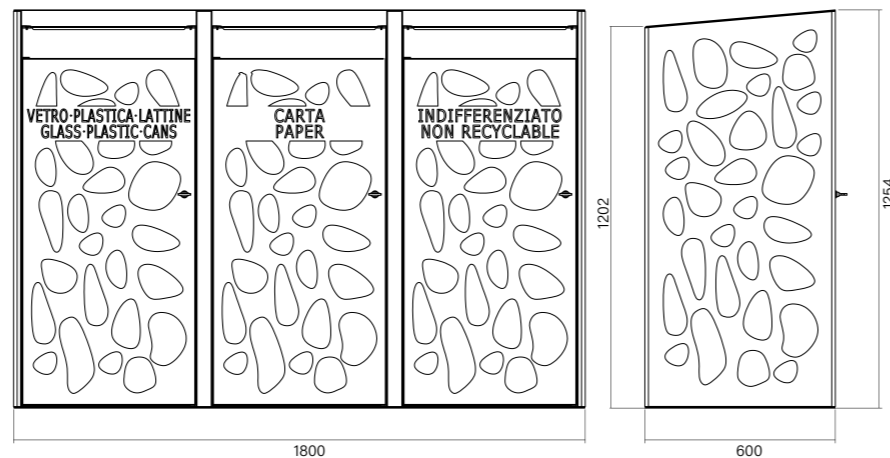
CESTINO / LITTER BIN

CODE: UL - CST - 035
DIMENSIONS: L 1040 W 300 H 1000
CAPACITY: 60L X1; 50L X2
MATERIAL: STEEL



COVER BIN CLAPS

 OPTIONAL WITH ASHTRAY



CESTINO / LITTER BIN

CODE A: UL - CST - 012 - A (1PZ)
CODE B: UL - CST - 012 - B (2PZ)
CODE C: UL - CST - 012 - C (3PZ)
DIMENSIONS: L 1800 W 600 H 1254
CAPACITY: 120L; 240L; 360L
MATERIAL: STEEL



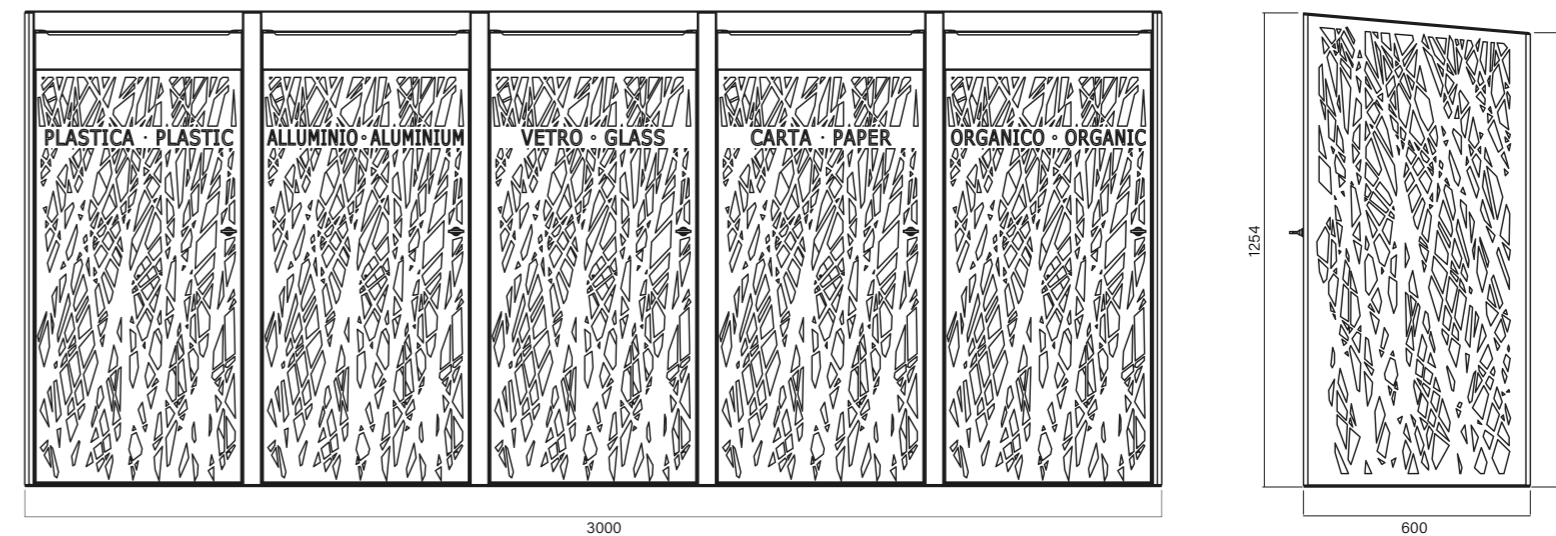
COVER BIN LINES

 OPTIONAL WITH ASHTRAY

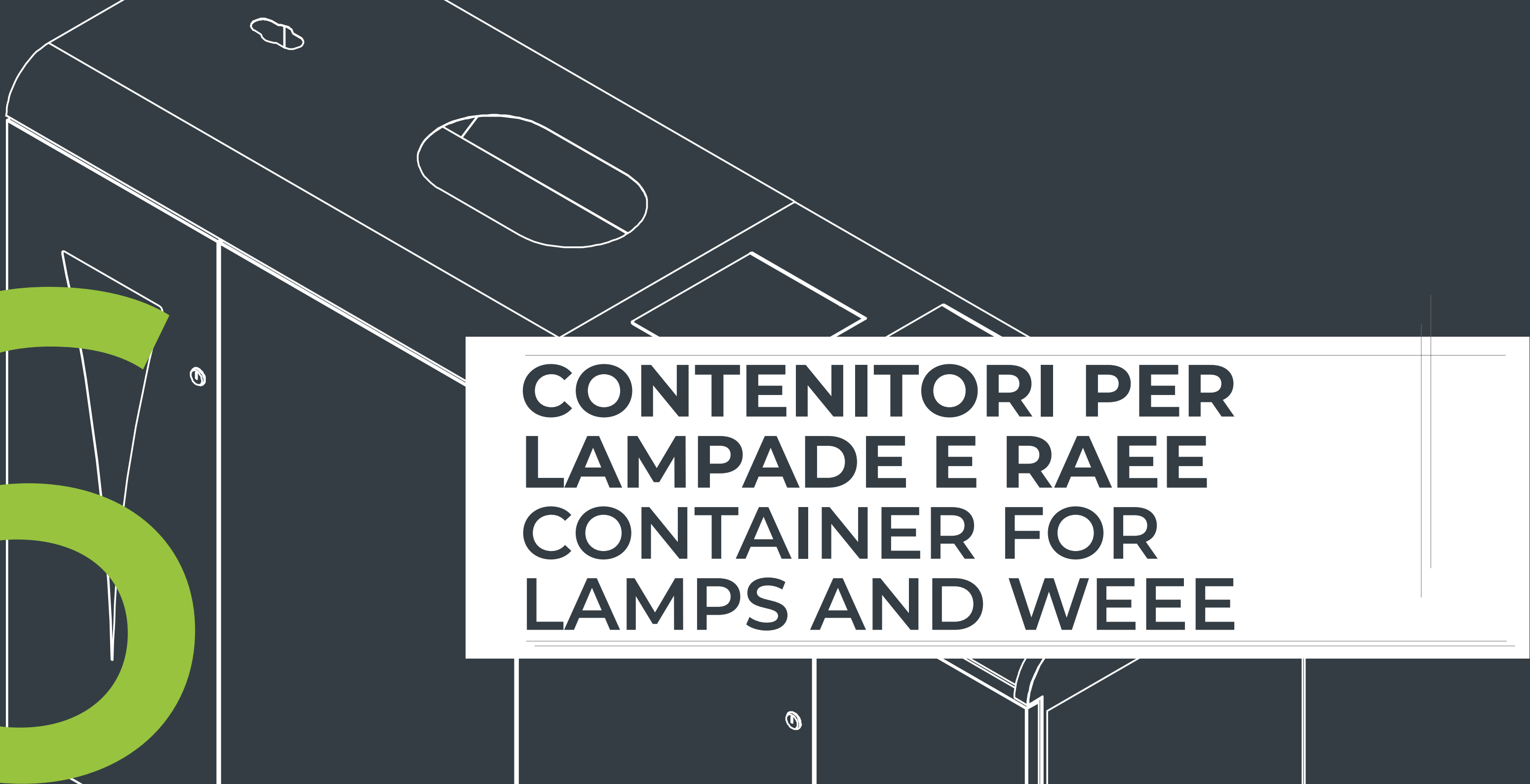


CESTINO / LITTER BIN

CODE A: UL - CST - 004 - A (1PZ)
CODE B: UL - CST - 004 - B (2PZ)
CODE C: UL - CST - 004 - C (3PZ)
CODE D: UL - CST - 004 - D (4PZ)
CODE E: UL - CST - 004 - E (5PZ)
DIMENSIONS: L 3000 W 600 H 1254
CAPACITY: 120L; 240L; 360L
MATERIAL: STEEL



16

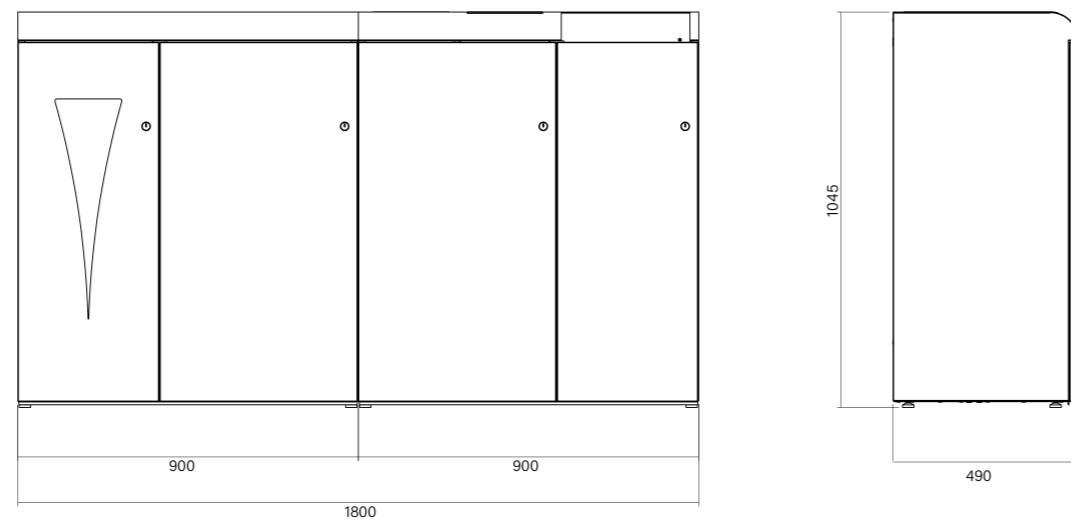
A technical line drawing of a lamp container, shown in a perspective view. The container is a long, rectangular box with rounded ends. It features a large, oval-shaped opening on the top surface, which is likely for a lamp. The drawing includes various lines representing the edges and contours of the object, as well as small circles indicating specific details or fasteners. The drawing is rendered in white lines on a dark grey background.

**CONTENITORI PER
LAMPADE E RAEE
CONTAINER FOR
LAMPS AND WEEE**

MULTICONTENIDOR

IL PRODOTTO "MULTICONTENIDOR" È PROTETTO CON DISEGNO COMUNITARIO N° 002246009 EMAND COME MODELLO DI UTILITÀ N° 201330661 ES E N° 01330660 ES, TITOLARE DEI DRITTI È ASOCIACIÓN AMBILAMP.

THE PRODUCT "MULTICONTENIDOR" IS PROTECTED AS A COMMUNITY DESIGN NO 002246009 EMAND AS A SPANISH UTILITY MODELS NO 201330661 ES AND NO 201330660 ES. THE HOLDER OF THE THREE RIGHTS IS ASOCIACIÓN AMBILAMP.

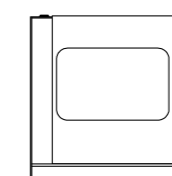
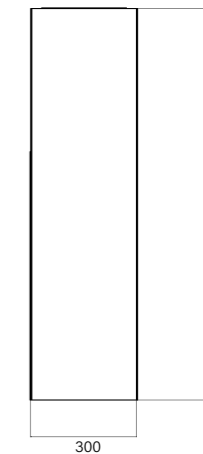
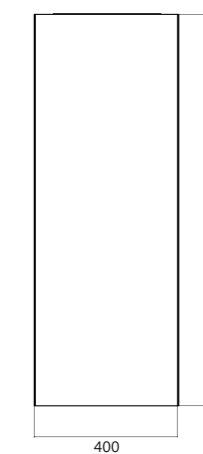
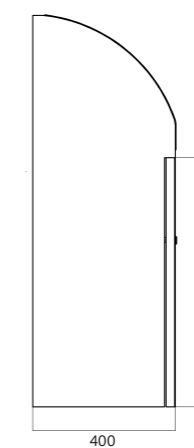


CONTENITORI PER LAMPADE E RAE / CONTAINER FOR LAMPS AND WEEE

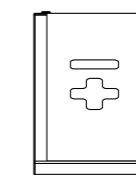
CODE A: EL - RIC - 001 (LAMPADE, BATTERIE E RAE)
 CODE B: EL - RIC - 002 (LAMPADE)
 CODE C: EL - RIC - 003 (BATTERIE E RAE)
 DIMENSIONS: L 1800 W 490 H 1045
 MATERIAL: STEEL



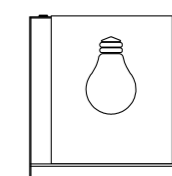
RECYMA



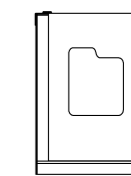
RAEE /
WEEE



PILE /
BATTERIES



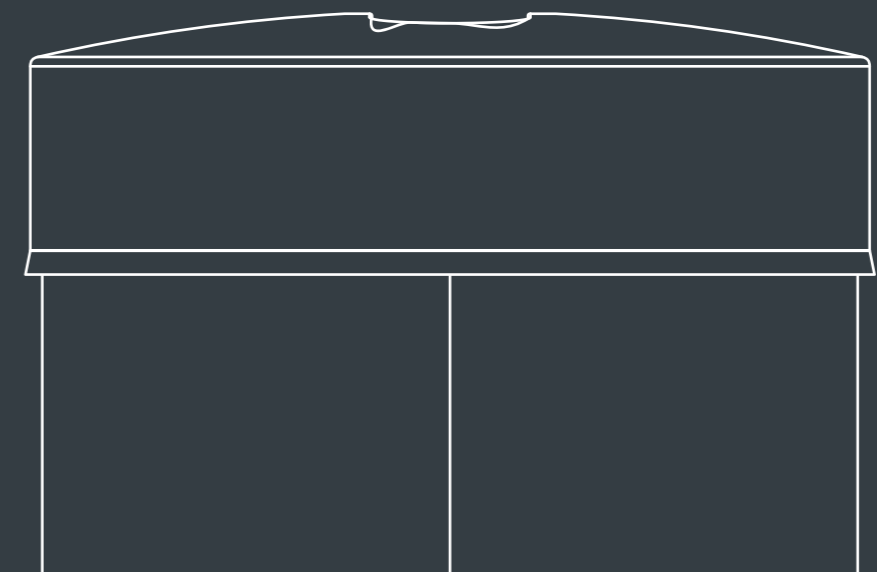
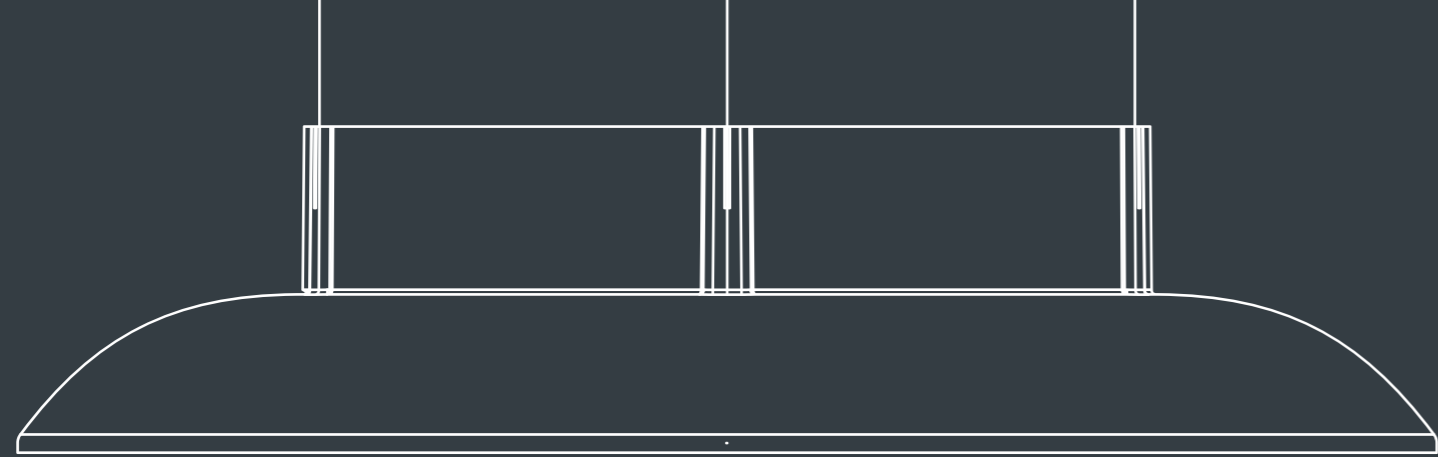
LAMPADINE /
LAMPS



CARTUCCE /
INK JET

**CONTENITORI PER LAMPADE E RAEE /
CONTAINER FOR LAMPS AND WEEE**

CODE: EL - RIC - 005
DIMENSIONS: L 1400 W 400 H 1100
MATERIAL: STEEL

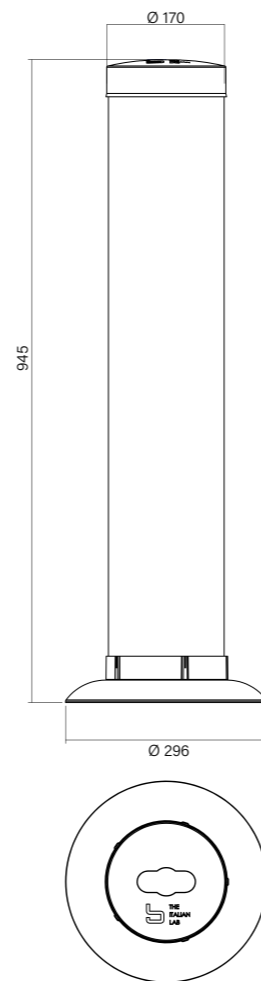


**CONTENITORI PER PILE
ESAUSTE
CONTAINERS FOR
EXHAUSTED BATTERIES**

BATTERY 20 LT

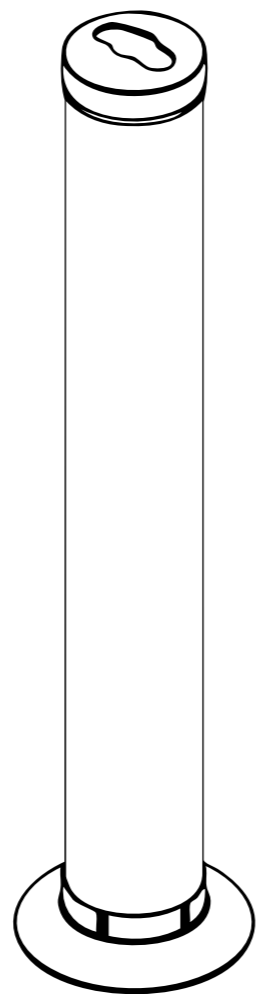
CONTENITORE PER PILE ESAUSTE / CONTAINER FOR EXHAUSTED BATTERIES

CODE: EL - BAT - 001
 DIMENSIONS: Ø 296 H 945
 COLORS: BLUE / RED / GREEN / MAGENTA
 MATERIAL: TRASPARENT POLYCARBONATE



EXAMPLE OF CUSTOMIZATION ESEMPI DI PERSONALIZZAZIONI

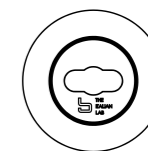
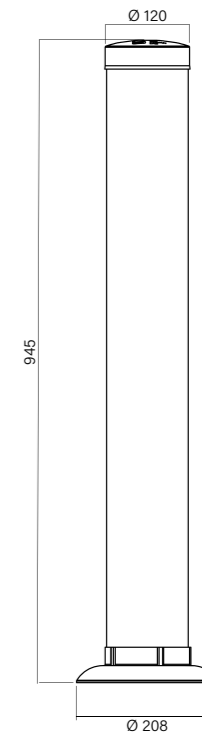




BATTERY 10 LT

CONTENITORE PER PILE ESAUSTE / CONTAINER FOR EXHAUSTED BATTERIES

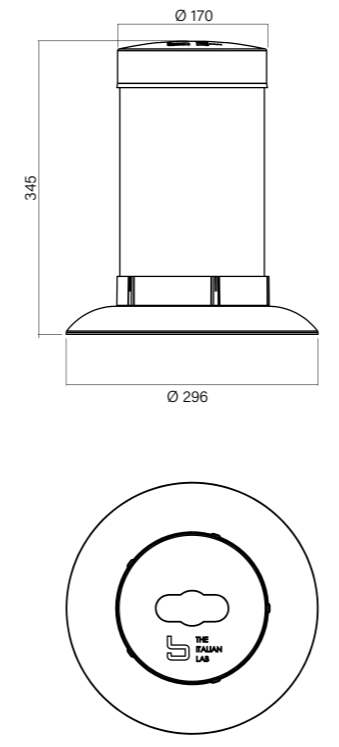
CODE: EL - BAT - 003
DIMENSIONS: Ø 208 H 945
COLORS: BLUE / RED / GREEN / MAGENTA
MATERIAL: TRASPARENTE POLYCARBONATE

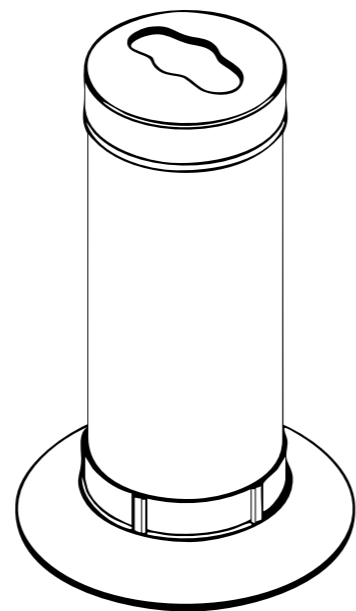


BATTERY 7 LT

CONTENITORE PER PILE ESAUSTE / CONTAINER FOR EXHAUSTED BATTERIES

CODE: EL - BAT - 002
 DIMENSIONS: Ø 296 H 345
 COLORS: BLUE / RED / GREEN / MAGENTA
 MATERIAL: TRASPARENT POLYCARBONATE

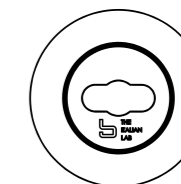
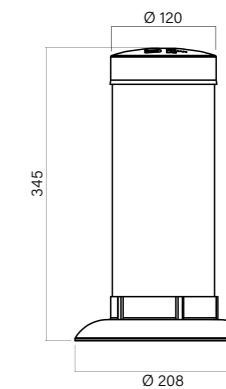




BATTERY 3.5 LT

CONTENITORE PER PILE ESAUSTE / CONTAINER FOR EXHAUSTED BATTERIES

CODE: EL - BAT - 004
DIMENSIONS: Ø 208 H 345
COLORS: BLUE / RED / GREEN / MAGENTA
MATERIAL: TRASPARENTE POLYCARBONATE

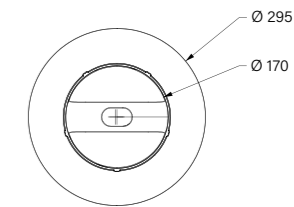
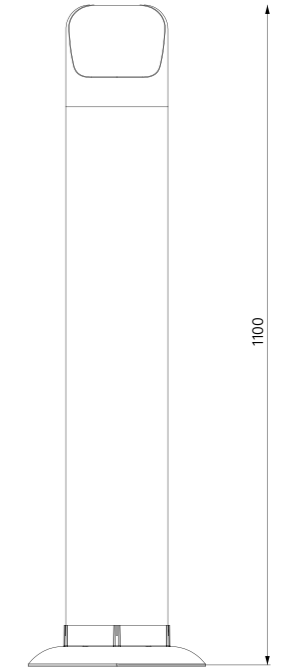




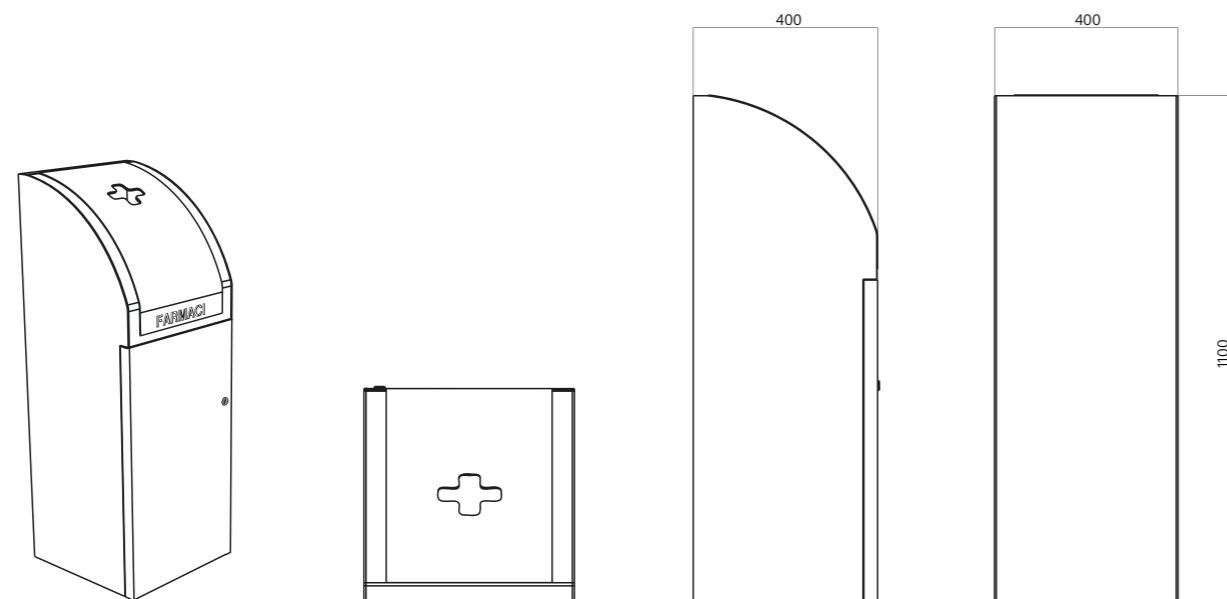
REGYVAPE

CONTENITORE PER SIGARETTE ELETTRICHE / CONTAINER FOR EXHAUSTED E-CIG

CODE: EL - VAP - 001
DIMENSIONS: Ø 295 H 1100
COLORS: BLACK
MATERIAL: TRASPARENT POLYCARBONATE



RECYPHARM 100



CONTENITORE PER FARMACI SCADUTI / CONTAINER FOR EXPIRED DRUGS

CODE: UL - CST - 084
DIMENSIONS: L 400 W 400 H 1100
COLORS: BLUE / RED / GREEN / MAGENTA
MATERIAL: STEEL



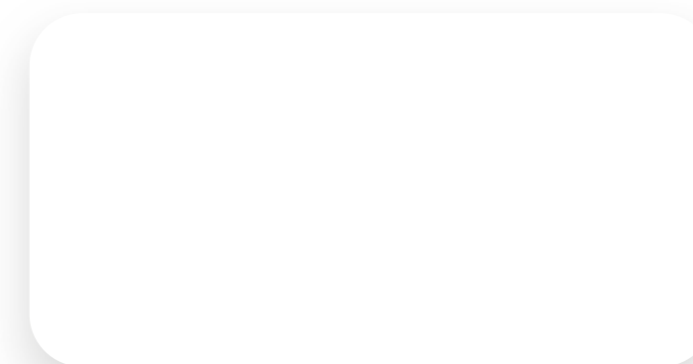
GLOBAL NETWORK

- AUSTRALIA
- AUSTRIA
- DENMARK
- FINLAND
- FRANCE
- GERMANY
- GREAT BRITAIN
- HOLLAND
- ILE DE LA REUNION
- ISRAEL
- ITALY
- JAPAN
- KUWAIT
- NORWAY
- QATAR
- SAUDI ARABIA
- SWITZERLAND
- TURKEY
- UNITED ARAB EMIRATES
- USA

ITALIAN LAB srl
Copyright© All rights reserved



RAPRESENTATIVE



URBAN FURNITURE · RECYCLING CONTAINERS

#theitalianlab



THE ITALIAN LAB

Via Bonisiolo 16B

31021 Mogliano Veneto TREVISO - ITALY

T. +39 041 8655264

www.theitalianlab.it

info@theitalianlab.it

