

CODE A: UL-PNC-012-PR CODE B: UL-PNC-012L-PR

Benches

EASY EVO bench
RECY

 THE[®]
ITALIAN
LAB



A



B

Dimensions and Weight:

A) L 1750, W 620, H 810 mm, Weight: 23.1 Kg

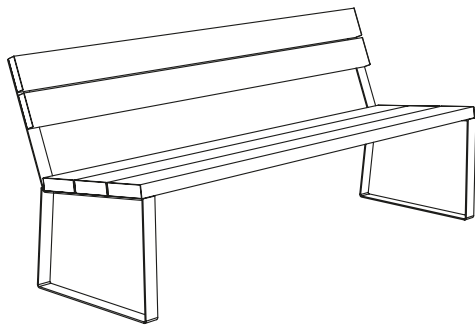
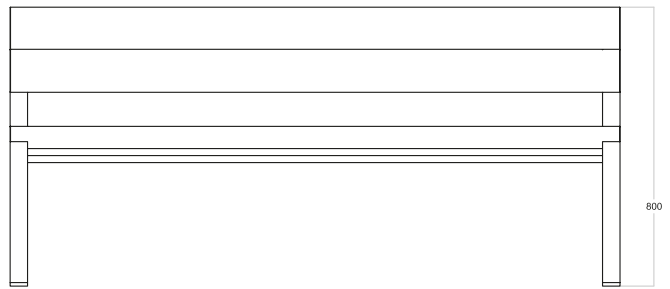
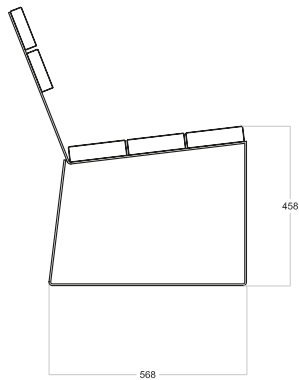
B) L 1750, W 620, H 810 mm, Weight: 36.4 Kg

The EASY EVO bench is made of sheet steel th. 60/10 subsequently galvanized and powder-coated PP.

The seat is made with nr. nr. 3 recycled plastic slats 165xh45 mm, the back with nr. 2 recycled plastic slats 120xh35 mm. At the base of the legs are provided nr. 4 holes diam. 10 mm for fixing to the ground using special dowels (not supplied).

Optional: armrests.

A



B

