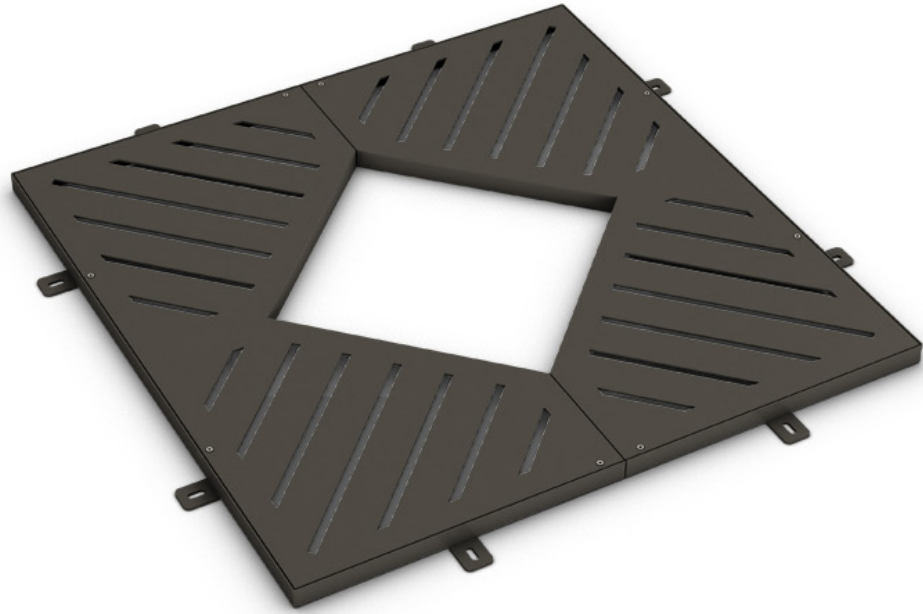


CODE: UL-SLP-004-A / UL-SLP-004-B / UL-SLP-004-C / UL-SLP-004-D
UL-SLP-004-E / UL-SLP-004-F

Treeguards

LINE 3

 THE
ITALIAN
LAB



Dimensions:

UL-SLP-004-A: 735 x 735 mm, opening 320 mm
UL-SLP-004-B: 990 x 990 mm, opening 500 mm
UL-SLP-004-C: 1190 x 1190 mm, opening 500 mm
UL-SLP-004-D: 1190 x 1190 mm, opening 800 mm
UL-SLP-004-E: 1440 x 1440 mm, opening 800 mm
UL-SLP-004-F: 1990 x 1990 mm, opening 800 mm

The LINE 3 treeguards are made of 50/10 thick cold galvanized and polyester powder coated steel. The laser cutting process permits the different types and sizes available.

The grilles consist of four or two elements, depending on their size and design. They are reinforced on the perimeter by 75x30 mm supports, 3 mm thick and prearranged with M8 screws hole.

Optional: The treeguard is supplied with an L-shaped counter-frame of 40x30 Thickness 3 mm galvanized steel and with 50/10 thick steel plates for ground anchorage.

