

With plate CODE: UL-DSR-002-4 To be cemented CODE: UL-DSR-002-4C

## Bollards

TOP A450



**UL** THE<sup>®</sup>  
ITALIAN  
LAB

### Dimensions:

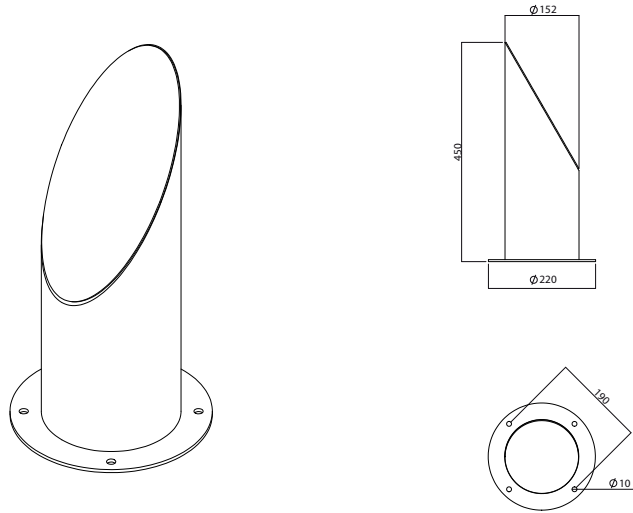
H 450, D. bollard 152, D.flange 220 mm

**Weight:** With plate 4.7 Kg, To be cemented 7.8 Kg

The TOP A450 bollard is made of a galvanized and polyester powder coated steel tube bar, diameter 152 mm, thickness 30/10. The top part has an inclination of 30 degrees and there is locking plate fixed on it.

Ground fixing can be done by placing the extended part of the bollard 250 mm deep into concrete foundations, under a flange without holes; or by using a flange with n. 4 D. 10 mm holes for suitable bolts (not supplied).

With plate  
CODE: UL-DSR-002-4



To be cemented  
CODE: UL-DSR-002-4C

