

With plate CODE: UL-DSR-003-9 To be cemented CODE: UL-DSR-003-9C

Bollards

TOP B900



Dimensions:

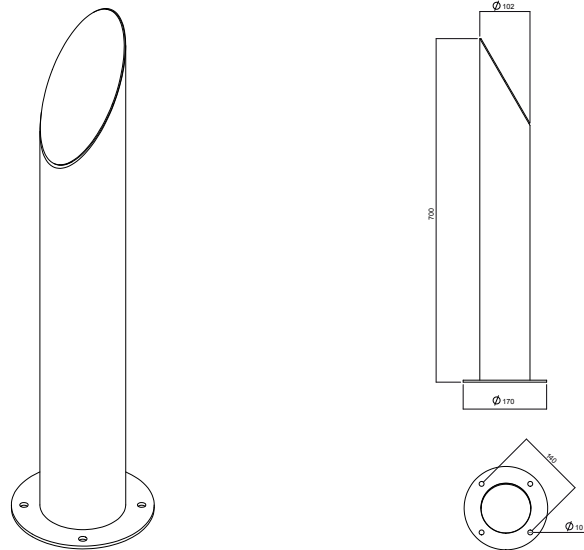
H 900, D. bollard 102 mm, D. flange 170 mm

Weight: With plate 4.8 Kg, To be cemented 6.2 Kg

The TOP B 900 bollard is made of a galvanized and polyester powder coated steel tube bar, diameter 102 mm, thickness 20/10.

The top part has an inclination of 30 degrees and there is locking plate fixed on it. Ground fixing can be done by placing the extended part of the bollard 250 mm deep into concrete foundations, under a flange without holes; or by using a flange with n. 4 D. 10 mm holes for suitable bolts (not supplied).

With plate
 CODE: UL-DSR-003-9



To be cemented
 CODE: UL-DSR-003-9C

