

CODE 1 : UL-DSR-113B CODE 2 : UL-DSR-113S

# Bollards

**THE**  
ITALIAN  
LAB

ARCH



A



B

**Dimensions:**

A L 500 W 120 H 310

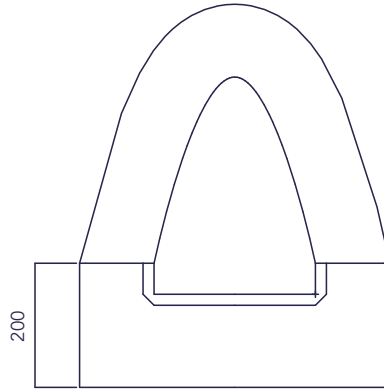
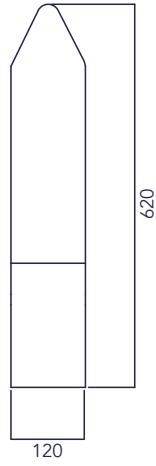
B L 700 W 120 H 500

The ARC bollard, available in two sizes, is made of high performance cement (UHPC), inside there is a 6 mm diameter galvanized steel frame.

Finish: smooth as a formwork.

Colors: white, light gray, dark gray.

A



B

