

Benches

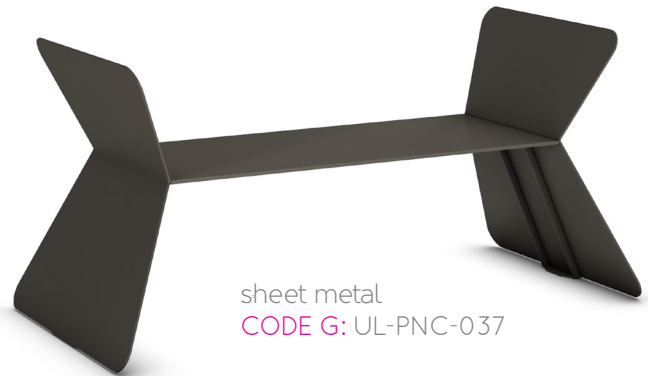
THE
ITALIAN
LAB

CODE T: UL-PNC-037-E CODE G: UL-PNC-037

EGO C



TEXTURE
CODE T: UL-PNC-037-E



sheet metal
CODE G: UL-PNC-037

Dimensions:

L 1600, W 784, H seat 450, H 760 mm

Weight: T 77.7 Kg, G 86.2 Kg,

Finishes:

T TEXTURE: the sheet is decorated with laser cutting

The EGO collection is made of 60/10 thick cold galvanized and polyester powder coated steel. Solid reinforcing supports (20x10 mm) are welded on the lower part of the seat and on the inner part of the legs of each element. Ground fixing is with suitable M8 bolts (not provided) over appropriate plates on underground extensions, or on ground-level plates.

